

## AC FAN

80mm~280mm

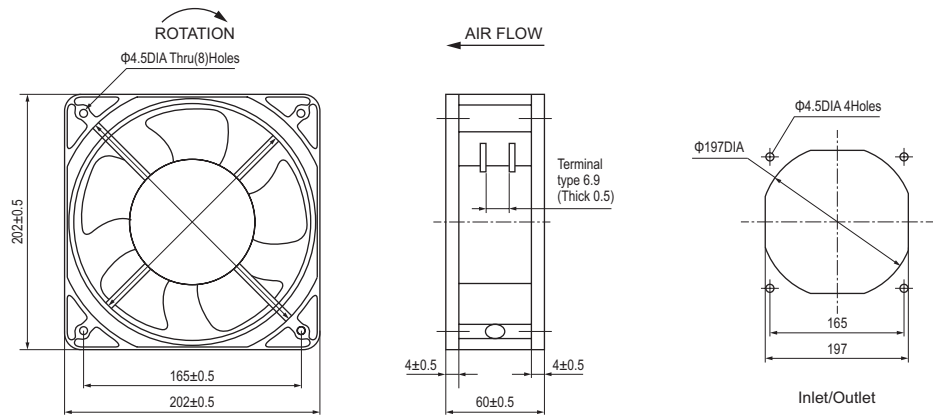


### NA20060



### General Specification

Size: 200×200×60mm  
 Airflow: 780~900m<sup>3</sup>/hr 460~530CFM  
 Weight: 1600g  
 Noise: 63-68dBA  
 Impeller: PBT Black  
 Frame: Aluminum Alloy  
 Terminals: 0.5mm  
 Lead Wire: AWG#22  
 Motor: Capacitor-Run Induction Motor  
 Operation Temperature: -10°C~+70°C



### Specific Parameters

Model Number	Bearing Type	Voltage (V)	Freq. (Hz)	Current (A)	Power (W)	Speed (RPM)	Noise (dBA)	Air Flow		Phase	Capacitor
								M <sup>3</sup> /hr	CFM		
20060-110BH-C	Ball	100~125	50/60	0.4	60	2500/2800	60/65	780/890	460/530	1	3.3µf/250V
20060-230BH-C	Ball	200~240	50/60	0.3	60	2500/2800	60/65	780/890	460/530	1	1.0µf/500V
20060-380BH-C	Ball	380	50/60	0.2	60	2600/2900	60/65	780/890	460/530	1	1.0µf/500V

"B" means Ball, "H" means High Speed  
 Current, Speed can be customer made

