

AC FAN

80mm~280mm

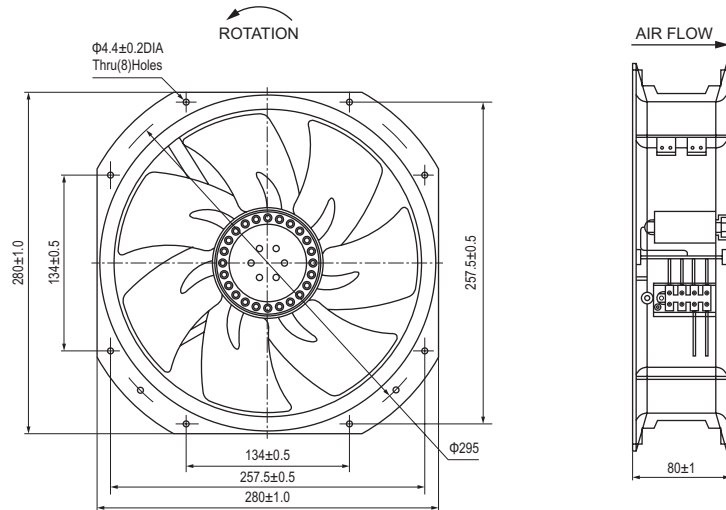


NA28080



General Specification

Size: 280×280×80mm
 Airflow: 2280~2570m³/hr 1341-1512CFM
 Weight: 2803g
 Noise: 65~70dBA
 Impeller: Iron Leaf
 Frame: Aluminum Alloy
 Lead Wire: The Mostable Wire
 Motor: Capacitor-Run External Rotor / Induction Motor
 Operation Temperature: -10°C~+105°C



Specific Parameters

Model Number	Bearing Type	Voltage (V)	Freq. (Hz)	Current (A)	Power (W)	Speed (RPM)	Noise (dBA)	Air Flow		Phase	Capacitor
								M ³ /hr	CFM		
28080-110BH-C	Ball	100~125	50/60	1.20	120	2400/2500	65/70	2280/2570	1341/1512	1	4.0μf/250V
28080-230BH-C	Ball	200~240	50/60	0.55	120	2400/2500	65/70	2280/2570	1341/1512	1	2.2μf/500V
28080-380	Ball	380~420	50/60	0.32	120	2400/2500	65/70	2280/2570	1341/1512	1	/
28080-380BH-C	Ball	380~420	50/60	0.36	120	2400/2500	65/70	2280/2570	1341/1512	1	2.2μf/500V

"B" means Ball, "H" means High Speed

Current, Speed can be customer made

