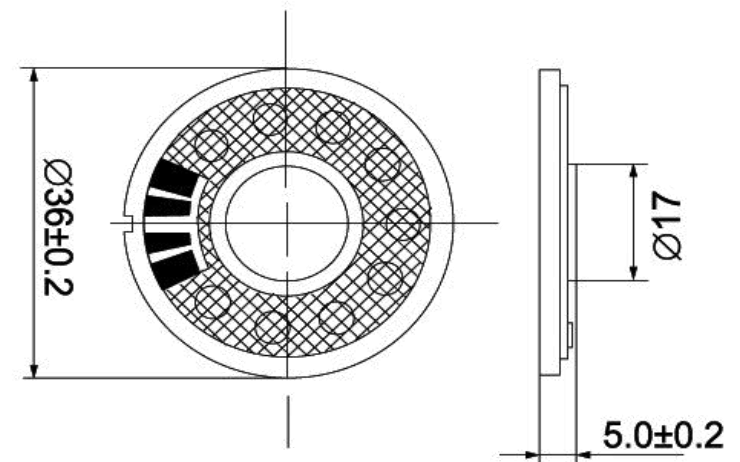
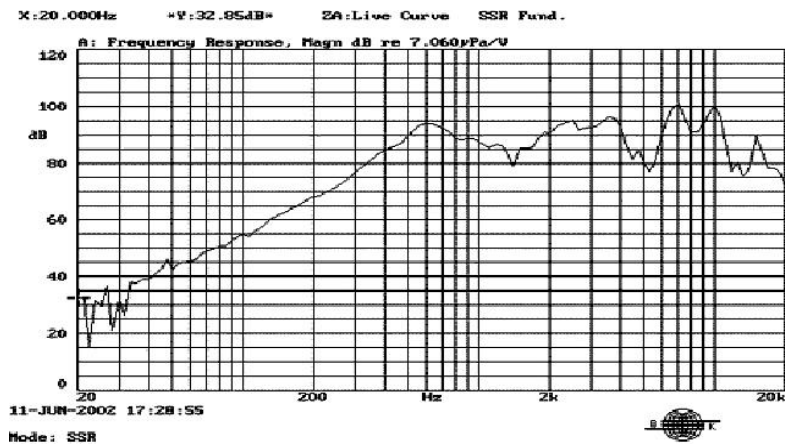


SPECIFICATION

1	Model No.	S-MC-36N-A-8R2W
2	Cone Material:	Mylar
3	Edge:	paper
4	Nominal Power:	1.0w
5	Maximum Power:	2.0w
6	Impedance:	8 ohm±15%
7	Fo:	550hz
8	Response:	Fo-6kHz
9	S.P.L:	95±3dB/W/M
10	Magnet :	NdFeB
11	Rohs	Yes

REVISION HISTORY


LTR	DESCRIPTION	DATE	APPROVED
-	RELEASED FROM ENGINEERING	9/23/2003	Y M
A			
B			
C			



Package:38*30*51cm/17kg/2kpcs

NOTES:

- 1.ALL DIMENSIONS ARE IN MILLIMETERS
- 2.SPECIFICATIONS SUBJECT TO CHANGE WITHOUT NOTICE

SIZE	Designed by	Date	Checked by	Date	Approved by	Date	Drawed date
A4			S-MC-36N-A-8R2W				
			SPEAKER	Edition	Sheet		