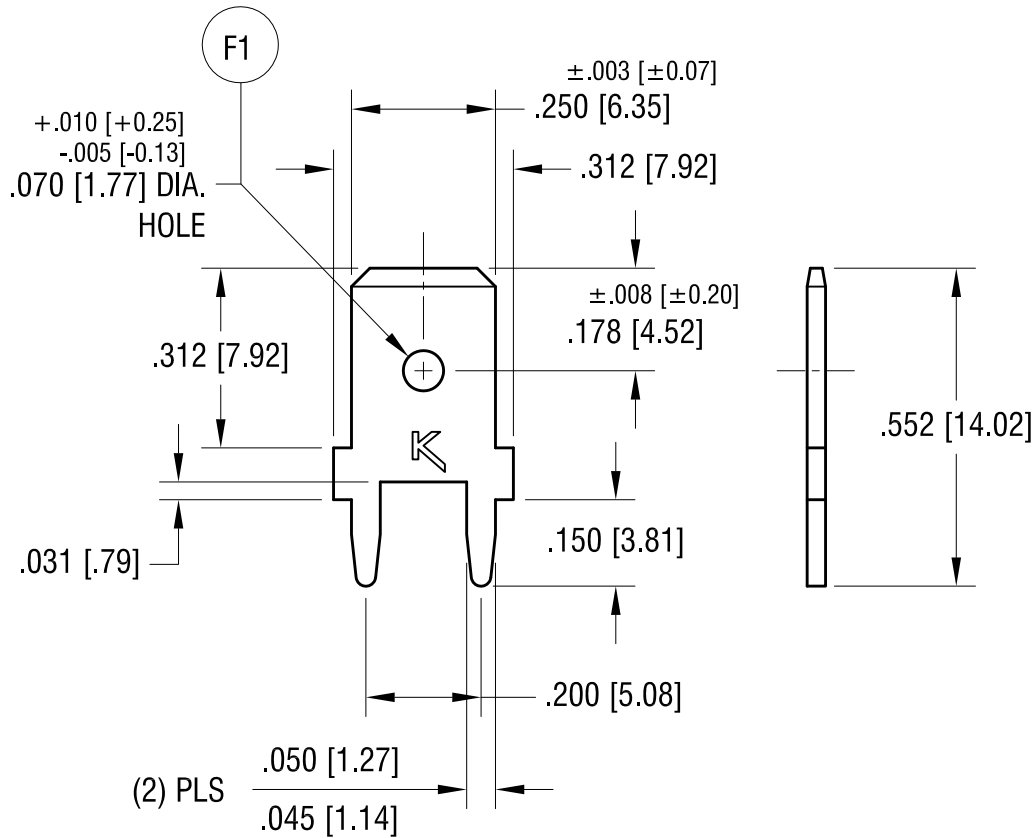
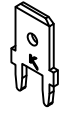


THIS DOCUMENT IS THE PROPERTY OF
KEYSTONE ELECTRONICS CORP. AND
SHALL NOT BE REPRODUCED, DISTRIBUTED
OR USED AS A BASIS FOR MANUFACTURE
WITHOUT PRIOR WRITTEN PERMISSION
FROM KEYSTONE ELECTRONICS CORP.

ACTUAL SIZE



NOTE:

MOUNTING HOLE SIZE:
.052 [1.32] DIA.

10.13.21	CHANGE AS PER ECN 21-114	F
8.10.16	CHANGE AS PER ECR 16-046	E
8.21.12	CHANGE AS PER ECN 12-113	D
6.16.09	CHANGE AS PER ECN 09-072	C
1.22.08	CHANGE AS PER ECN 08-054	B
DATE	DESCRIPTION	REV.

KEYSTONE ELECTRONICS CORP.			
www.keyelco.com • NEW HYDE PARK, NY 11040 • Tel (516) 328-7500			
PART NAME		PC QUICK-FIT TERMINAL	
MATERIAL		.032 [0.81] TH'K BRASS	
FINISH		DRN BY	DATE
MATTE TIN PLATE		BOONE	5.13.82
		APP'D	SCALE
		RH	3X
TOLERANCES	INCH [MM]	CODE	DWG NO.
DECIMAL	± .005 [± 0.13]	C	1287
ANGULAR	± 1°		
UNLESS OTHERWISE SPECIFIED			