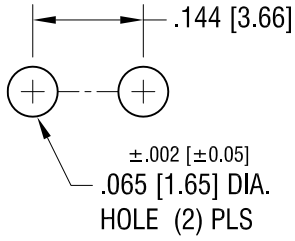
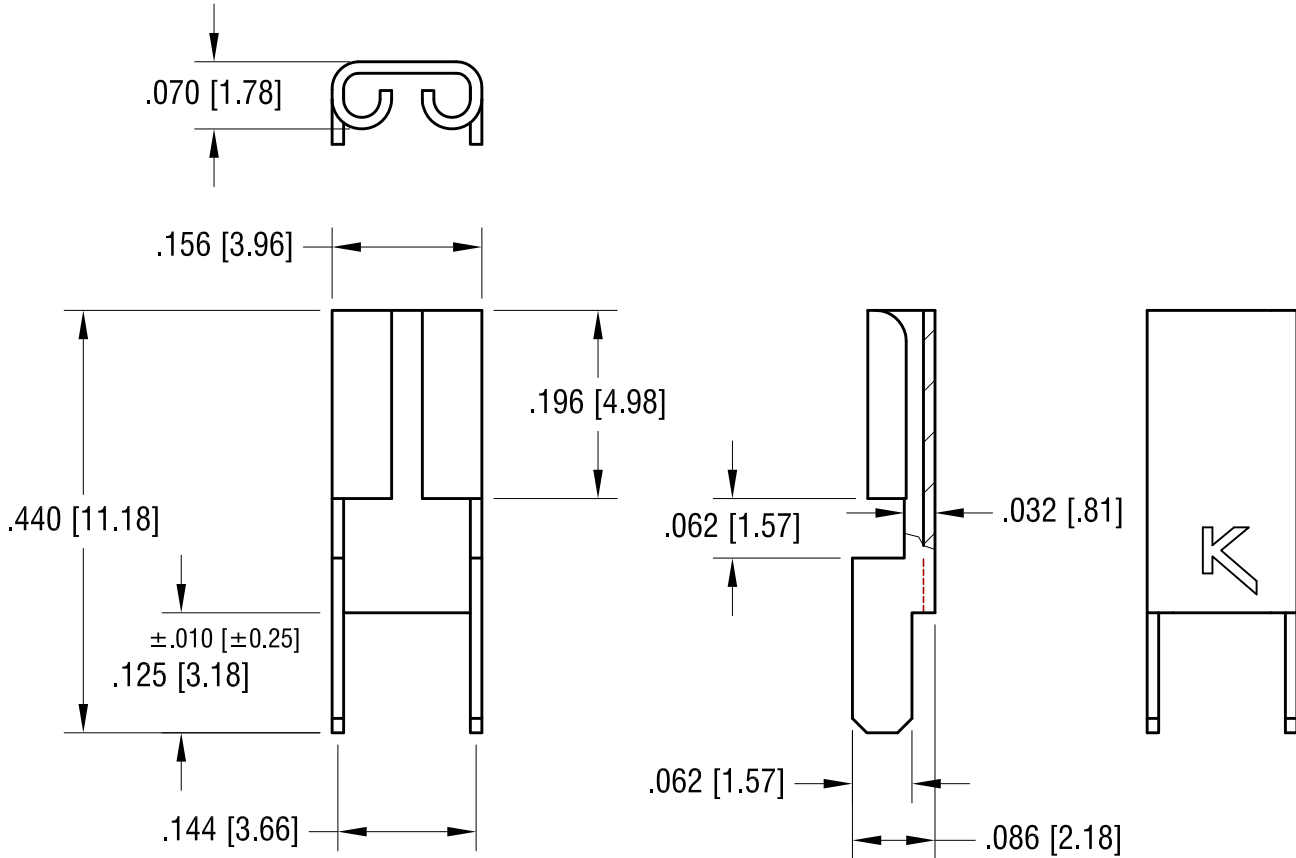


THIS DOCUMENT IS THE PROPERTY OF
KEYSTONE ELECTRONICS CORP. AND
SHALL NOT BE REPRODUCED, DISTRIBUTED
OR USED AS A BASIS FOR MANUFACTURE
WITHOUT PRIOR WRITTEN PERMISSION
FROM KEYSTONE ELECTRONICS CORP.

MOUNTING DETAIL



ACTUAL SIZE



9.05.12	CHANGE AS PER ECN 12-127	K
6.26.09	CHANGE AS PER ECN 09-085	H
9.11.06	CHANGE AS PER ECN 06-050	G
DATE	DESCRIPTION	REV.

KEYSTONE ELECTRONICS CORP.			
www.keyelco.com • ASTORIA, N.Y. 11105-2017 • Tel (718) 956-8900			
PART NAME			
.110 [2.79] PC QUICK-FIT TERMINAL			
MATERIAL			
.012 [0.30] TH'K BRASS			
FINISH		DRN BY	DATE
TIN NICKEL PLATE		BOONE	6.28.93
		APP'D	SCALE
		LN	5X
TOLERANCES	INCH [MM]	CODE	DWG NO.
DECIMAL	± .005 [± 0.15]	C	3534
ANGULAR	± 1°		
UNLESS OTHERWISE SPECIFIED			