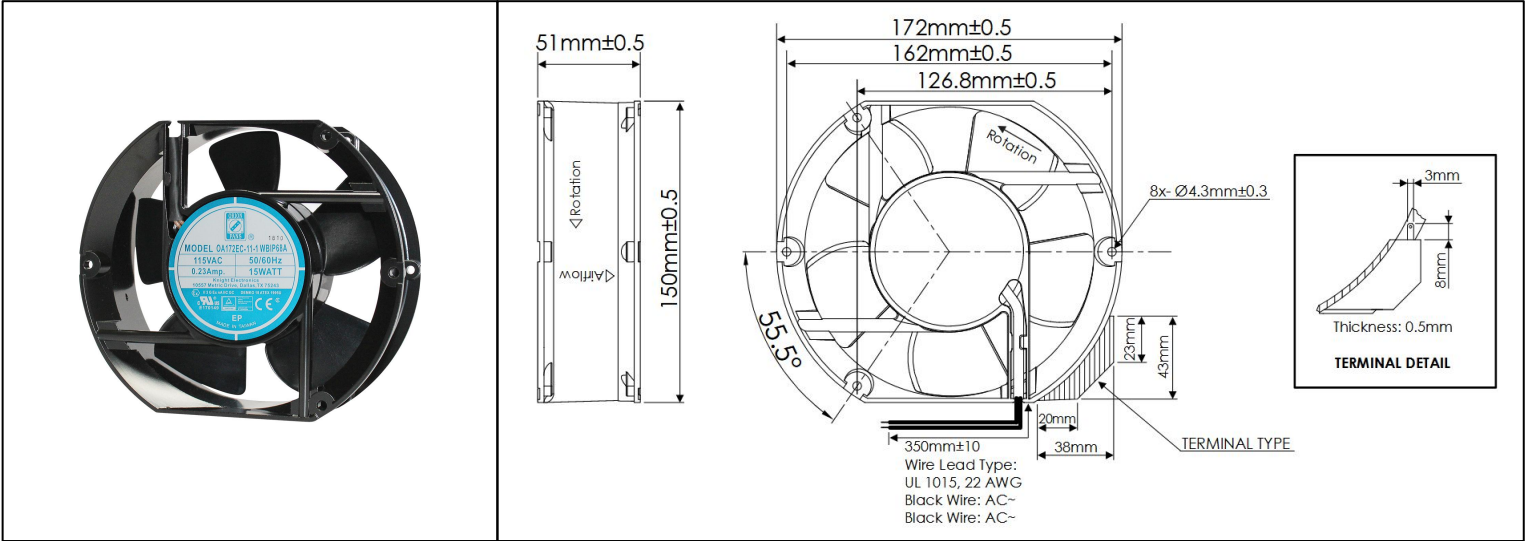


OA172EC IP68 ATEX Series



EC Fans - 115, 230V
172mm x 150mm x 51mm (6.8" x 5.9" x 2.0")



Frame	Die Cast Aluminum, Black Finish	Operating Temperature -20°C ~ +70°C Storage Temperature -30°C ~ +75°C Life Expectancy 50,000 Hours (L10 at 45°C) Installed Options IP68 Rating ATEX Certification Weight: 1.54 lbs.	
Impeller	PBT, UL94 V-0 Plastic		
Connection	Terminals or Wire Leads		
Motor	EC Motor, Electronically Protected, ATEX Certified		
Bearing System	Ball Bearings		
Dielectric Strength	1500VAC/min, <1mA		
Insulation Resistance	≥10MΩ @500VAC		

Part Number	Rated Voltage (Volts AC)	Voltage Range (Volts AC)	Frequency (Hertz)	Rated Power (Watts)	Rated Current (Amps)	Rated Speed (RPM)	Max Airflow (CFM)	Noise Level (dBA)	Max Static Pressure (\"H ₂ O)
OA172EC-11-1*BIP68A	115	103 ~ 127	50 / 60	15	0.23	3000	220	57.3	0.62
OA172EC-22-1*BIP68A	230	207 ~ 253	50 / 60	15	0.13	3000	220	57.3	0.62

* Insert "T" for Terminal type power connection, or "W" for Wire Lead type power connection.