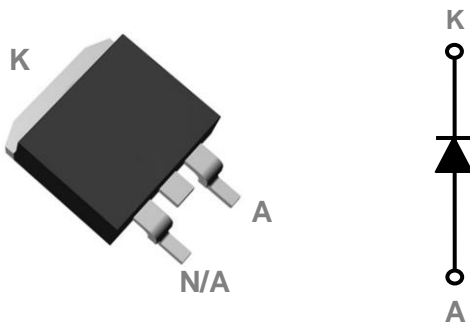


General Description

These 650V high performance series of SiC schottky diodes are using the most advanced technology to suit for high frequency and high efficiency power systems with extreme low reverse recovery charge and can be stand up to 175°C maximum junction temperature.

V_{BR}	$I_F(T_C = 154^\circ\text{C})$	Q_C
650V	10A	30nC

TO263 Pin Configuration



Features

- 650V , 10A , 175°C junction temperature
- Extremely fast switching
- Ultra Low Reverse Recovery Current
- Positive temperature coefficient
- Green device available

Applications

- Switching mode power supplies
- Motor drives
- Power Converters
- PFC, Power factor correction

Absolute Maximum Ratings ($T_C=25^\circ\text{C}$ unless otherwise noted)

Symbol	Parameter	Rating	Units
V_R	DC Peak Reverse Voltage, $T_j=25^\circ\text{C}$	650	V
V_{RRM}	Repetitive Peak Reverse Voltage, $T_j=25^\circ\text{C}$	650	V
V_{RSM}	Surge Peak Reverse Voltage, $T_j=25^\circ\text{C}$	650	V
I_F	Continuous Forward Current, $T_C=25^\circ\text{C}$	32	A
	Continuous Forward Current, $T_C=154^\circ\text{C}$	10	A
I_{FSM}	Non-Repetitive Forward Surge current $T_C = 25^\circ\text{C}$, $T_P=10\text{ms}$ Half Sine Pulse	90	A
T_J	Maximum operating Junction Temperature Range	175	$^\circ\text{C}$
T_{STG}	Storage Temperature Range	-55 to 175	$^\circ\text{C}$

Thermal Characteristics

Symbol	Parameter	Typ.	Max.	Unit
$R_{\theta JC}$	Thermal Resistance Junction to Case	1.18	---	$^\circ\text{C}/\text{W}$

Electrical Characteristics (T_J=25 °C, unless otherwise noted)

Symbol	Parameter	Conditions	Min.	Typ.	Max.	Unit
VDC	DC Blocking Voltage		650	---	---	V
V _F	Forward Voltage	I _F =10A , T _J =25°C	---	1.37	1.6	V
		I _F =10A , T _J =175°C	---	1.66	---	V
I _R	Reverse Current	V _R =650V , T _J =25°C	---	---	60	uA
		V _R =650V , T _J =175°C	---	---	---	uA
Q _C	Total Capacitive Charge	V _R =400V	---	30	---	nC
C	Total Capacitance	V _R =1V, f=1MHz	---	430	---	pF
		V _R =200V, f=1MHz	---	55	---	
		V _R =400V, f=1MHz	---	54	---	

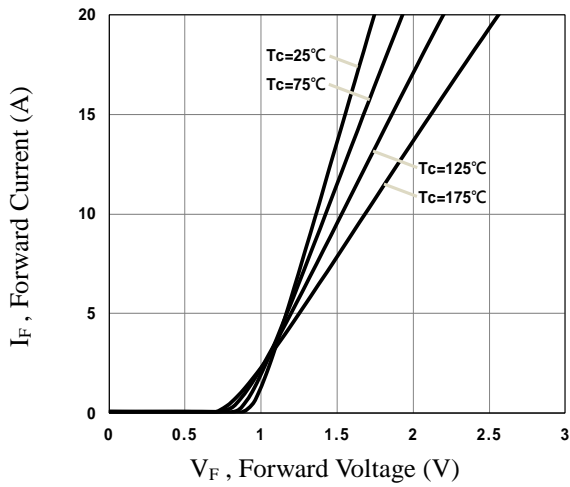


Fig.1 Forward Characteristics

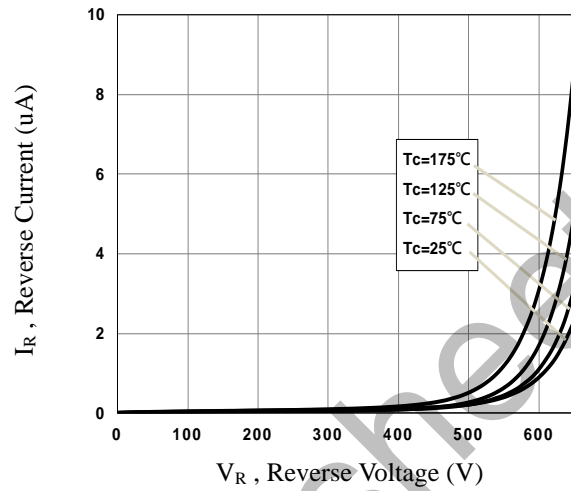


Fig.2 Reverse Characteristics

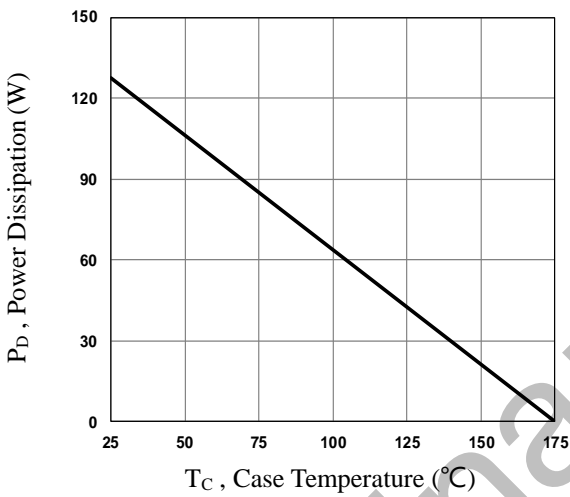


Fig.3 Power Dissipation

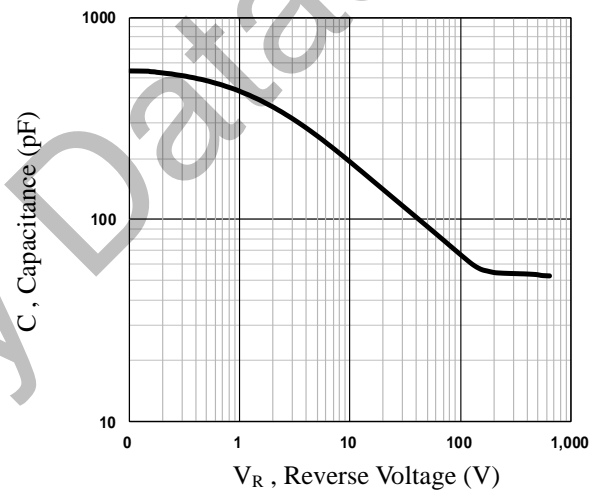
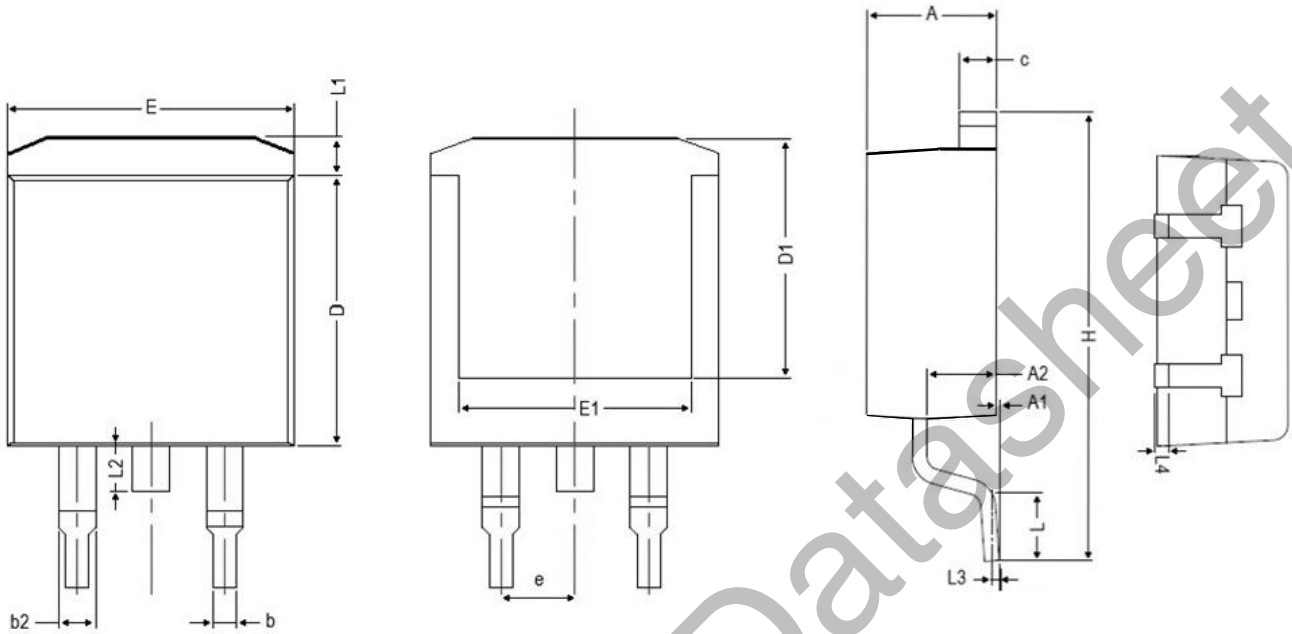


Fig.4 Capacitance Characteristics

TO263 PACKAGE INFORMATION



Symbol	Dimensions In Millimeters		Dimensions In Inches	
	MAX	MIN	MAX	MIN
A	4.850	4.200	0.191	0.165
A1	0.300	0.000	0.012	0.000
A2	2.900	2.200	0.114	0.087
b	0.950	0.700	0.037	0.028
b2	1.700	1.000	0.067	0.039
c	1.450	1.150	0.057	0.045
D	9.500	8.350	0.374	0.329
D1	9.150	6.400	0.360	0.252
E	10.500	9.600	0.413	0.378
E1	8.900	6.850	0.350	0.270
e	2.540 BSC		0.100 BSC	
H	15.900	14.600	0.626	0.575
L	2.800	1.700	0.110	0.067
L1	1.700	1.050	0.067	0.041
L2	2.100	1.300	0.083	0.051
L3	0.250 BSC		0.010 BSC	
L4	0.750	0.200	0.030	0.008