

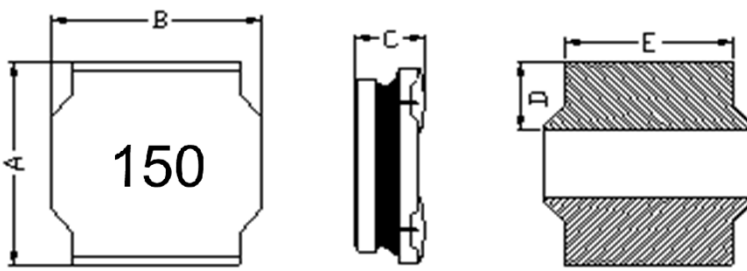
# ECN HISTORY LIST

版別	ECN NO.	變更內容	變更日期	確認章
0		新版本	2022/5/4	



# SPECIFICATION FOR APPROVAL

COMMODITY	<b>SMD POWER COIL</b>	SPEC NO.	SP-0190104015
ITEM	<b>JNR 8040H-150M</b> <span style="border: 1px solid black; padding: 2px;">Green</span>	版本：A	表單編號：QR-012-02

(1) DIMENSION: (UNIT: mm)		DIM.	TOL.	
	A	8.00	±0.3	
	B	8.00	±0.3	
	C	3.70	±0.3	
	D	2.40	±0.3	
	E	6.30	±0.3	

(2) ELECTRICAL CHARACTERISTIC		TEST INSTRUMENTS.
INDUCTANCE	15 ± 20%    μH	<input type="checkbox"/> AGILENT 4294A Precision Impedance Analyzer.
TEST FREQUENCY	1    MHz	<input type="checkbox"/> AGILENT 4285A Precision L.C.R. <input type="checkbox"/> HP-4286A RF L.C.R. Meter.
TEST VOLT	1    V	<input checked="" type="checkbox"/> ZENTECH 3302 Automatic Components Analyzer.
RDC	50 ± 20%    mΩ	<input type="checkbox"/> ZENTECH 101 L.C.R. Meter. <input type="checkbox"/> WAYNE KERR 6420 Precision Impedance Analyzer.
Isat	4.00 (typ) A 3.60 (max)	<input checked="" type="checkbox"/> ZENTECH 1320 BIAS CURRENT.
Irms	3.60 (typ) A 3.20 (max)	<input checked="" type="checkbox"/> ZENTECH 502AC Resistance Merter. <input type="checkbox"/> ADEX AX-1155B DC Low Ohm Meter.

**REMARK :**

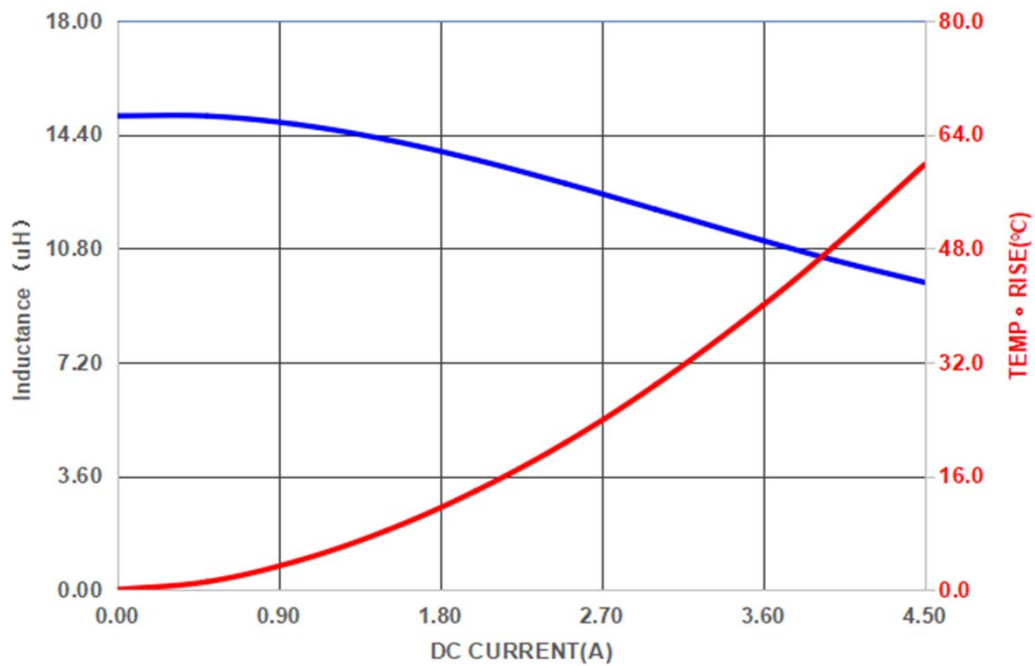
1. All test data referenced to 25°C ambient
2. Isat : Saturation Current (Isat) will cause L0 to drop approximately 30%.
3. Irms : Heat Rated Current (Irms) will cause the coil temperature rise approximately ΔT of 40°C

PURCHASER CONFIRMED	APPROVED	CHECKED	DRAWN
			

# TEST REPORT

SPEC NO : SP-0190104015

Typical Performance Curves



Test Instrument :

ZENTECH 3302 Automatic Components Analyzer  
ZENTECH 1320 BIAS CURRENT

Testing Condition :

Temperature : 25 to 28°C  
Humidity : 60 to 70 % RH

Check by :



Test by :

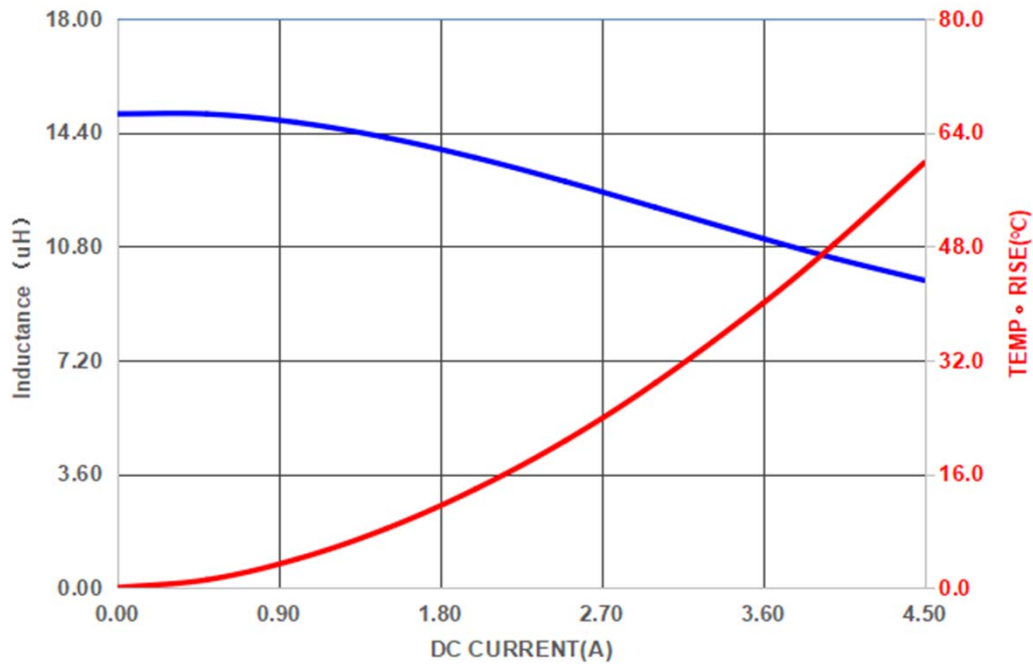


TEL : 886-2-2689-4971 FAX : 886-2-2689-4260  
E-mail : jantek@jantek-elec.com.tw  
Web-Site : www.jantek-elec.com.tw

# TEST REPORT

SPEC NO : SP-0190104015

Typical Performance Curves



Test Instrument :

ZENTECH 3302 Automatic Components Analyzer  
ZENTECH 1320 BIAS CURRENT

Testing Condition :

Temperature : 25 to 28°C  
Humidity : 60 to 70 % RH

Check by :



Test by :

