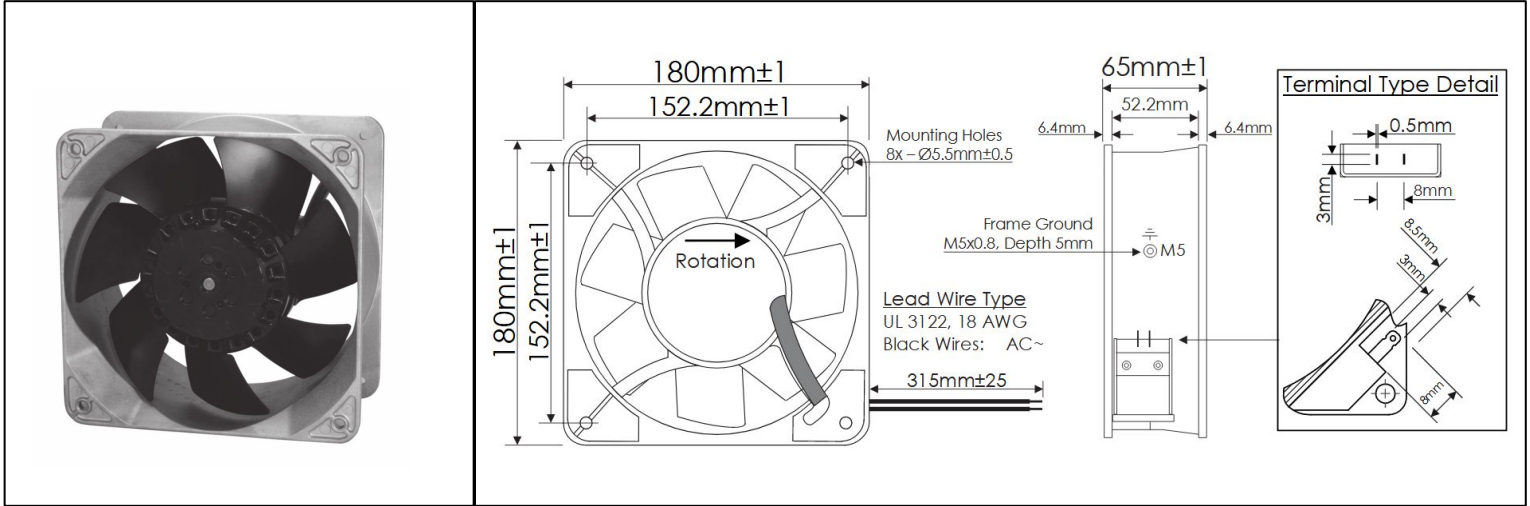


# OA180ANL All Metal Series



AC Fans - 115, 230V  
180mm x 65mm (7.1" x 2.6")



<b>Frame</b>	Die Cast Aluminum, Natural Finish	<b>Operating Temperature</b> -30°C ~ +80°C  <b>Storage Temperature</b> -40°C ~ +100°C  <b>Life Expectancy</b> 50,000 Hours (L10 at 55°C)  <b>Installed Options</b> IP56 Rated Motor  <b>Weight:</b> 3.96 lbs.	
<b>Impeller</b>	Steel Alloy, Black Finish		
<b>Connection</b>	Lead Wires, 18 AWG, or Terminals		
<b>Motor</b>	AC, Capacitor Induction, Single Phase, Thermally Protected, IP56		
<b>Bearing System</b>	Ball Bearings		
<b>Dielectric Strength</b>	1500VAC/min, <5mA		
<b>Insulation Resistance</b>	≥10MΩ @ 500V DC		

Part Number	Rated Voltage (Volts AC)	Voltage Range (Volts AC)	Frequency (Hertz)	Input Power (Watts)	Rated Speed (RPM)	Max Airflow (CFM)	Noise Level (dBA)	Max Static Pressure ("H <sub>2</sub> O)	PQ Graph Curve
OA180ANL-11-1*B1868	115	100 ~ 130	50 / 60	60 / 80	2750 / 3250	330 / 400	65	0.60 / 0.80	2 / 1
OA180ANL-11-2*B1868	115	100 ~ 130	50 / 60	55 / 65	2300 / 2200	275 / 265	53	0.58 / 0.52	4 / 3
OA180ANL-11-3*B1868	115	100 ~ 130	50 / 60	20 / 30	1500 / 1600	185 / 200	42	0.38 / 0.32	6 / 5
OA180ANL-22-1*B1868	230	200 ~ 255	50 / 60	60 / 80	2750 / 3250	330 / 400	65	0.60 / 0.80	2 / 1
OA180ANL-22-2*B1868	230	200 ~ 255	50 / 60	55 / 65	2300 / 2200	275 / 265	53	0.58 / 0.52	4 / 3
OA180ANL-22-3*B1868	230	200 ~ 255	50 / 60	20 / 30	1500 / 1600	185 / 200	42	0.38 / 0.32	6 / 5

\*Insert "T" for Terminal type power connection, or "W" for Lead Wire type power connection