



# OD1232 Series multifunction technology



120x120x32mm  
(4.72"x 4.72"x 1.25")



**FRAME**  
PBT, UL94V-0 Thermoplastic

**IMPELLER**  
PBT, UL94V-0 Thermoplastic

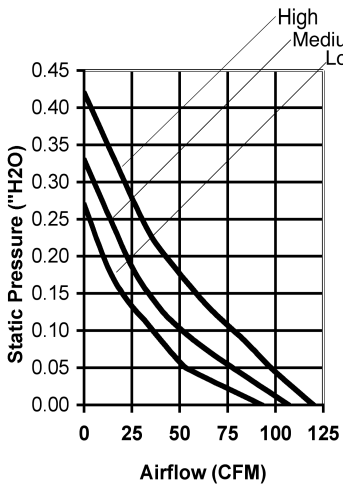
**POWER CONNECTION**  
2x lead wires 300mm (12")

**AVAILABLE OPTIONS**  
Tachometer  
Locked rotor Alarm  
PWM Input  
Thermal Speed Control  
Constant Speed

Rigel PC boards permit the addition of multiple special functions. Minimums may apply to special function fans.

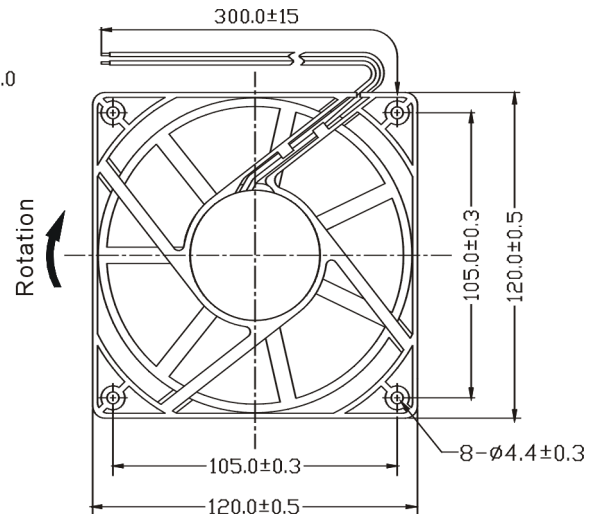
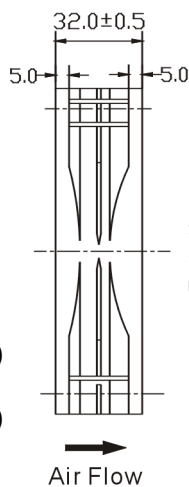
MODEL NUMBER	SPEED (RPM)	AIRFLOW (CFM)	NOISE (DB)	VOLTS DC	VOLTAGE RANGE	AMPS	MAX. STATIC PRESSURE (iH <sub>2</sub> O)
OD1232-12H *	3750	120	51	12	6~13.8	..60	.42
OD1232-12M *	3300	107	48	12	6~13.8	.50	.33
OD1232-12L *	2900	93	44	12	6~13.8	..32	.27
OD1232-24H *	3750	120	51	24	12~27.6	.45	.42
OD1232-24M *	3300	107	48	24	12~27.6	.28	.33
OD1232-24L *	2900	93	44	24	12~27.6	.22	.27
OD1232-48H *	3750	120	51	48	24~55.2	.18	.42
OD1232-48M *	3300	107	48	48	24~55.2	.15	.33
OD1232-48L *	2900	93	44	48	24~55.2	.13	.27

\* Indicate "B" to specify Ball bearing or "S" to specify Sleeve bearing



**OPERATING TEMPERATURE**  
Ball Bearing  
-20C ~ +80C  
Sleeve Bearing  
-10C ~ +50C

**LIFE EXPECTANCY**  
Ball Bearing  
60,000 hours (L10 at 40C)  
Sleeve Bearing  
30,000 hours (L10 at 40C)



**FINGER GUARD:** G109-15A,  
G109-15AB, G109-3  
**PLASTIC GUARD:** G120P  
**ALUMINUM FILTER:** WMG120M  
**FILTER KIT:** GRM120-30,  
GRM120-45

Unit: mm

**MOTOR**

Brushless DC, polarity protected, auto restart

**INSULATION RESISTANCE**

Min. 10M at 500VDC

**DIELECTRIC STRENGTH**

1 minute at 500VAC / 1 second, max leakage 500 microamp

