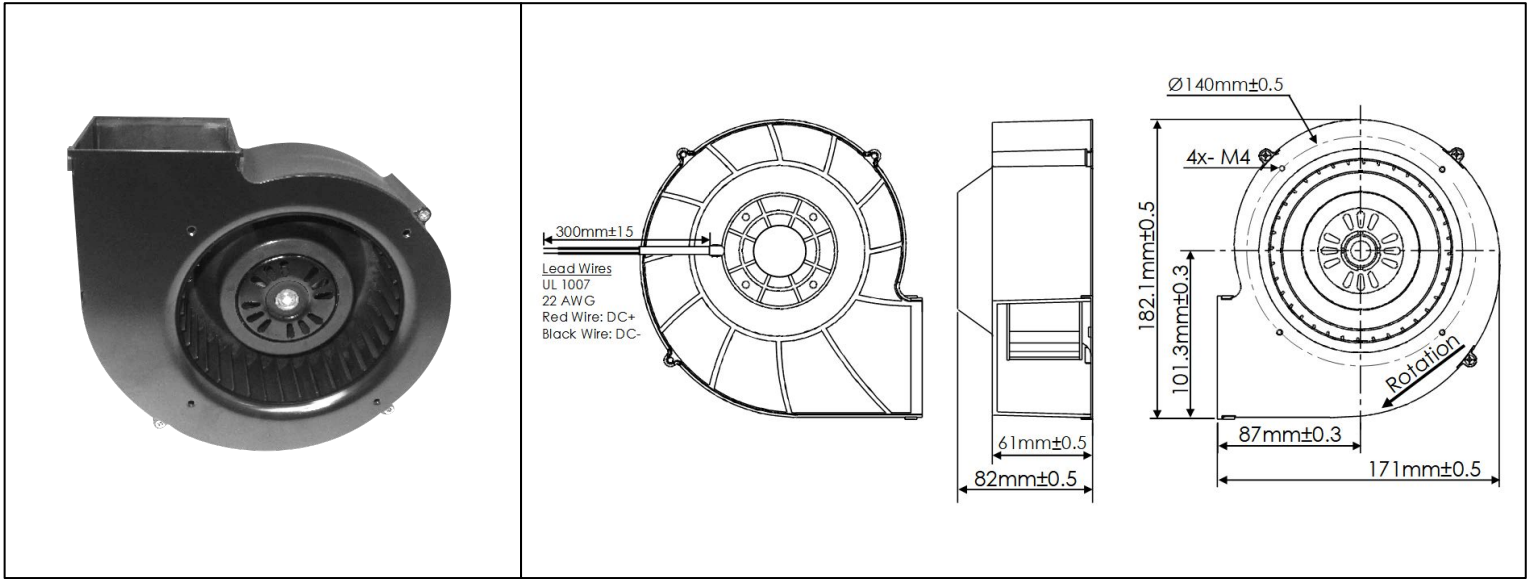


ODB182 Series



DC Blowers - 24, 48V
182mm x 171mm x 82mm
(7.2" x 6.7" x 3.2")



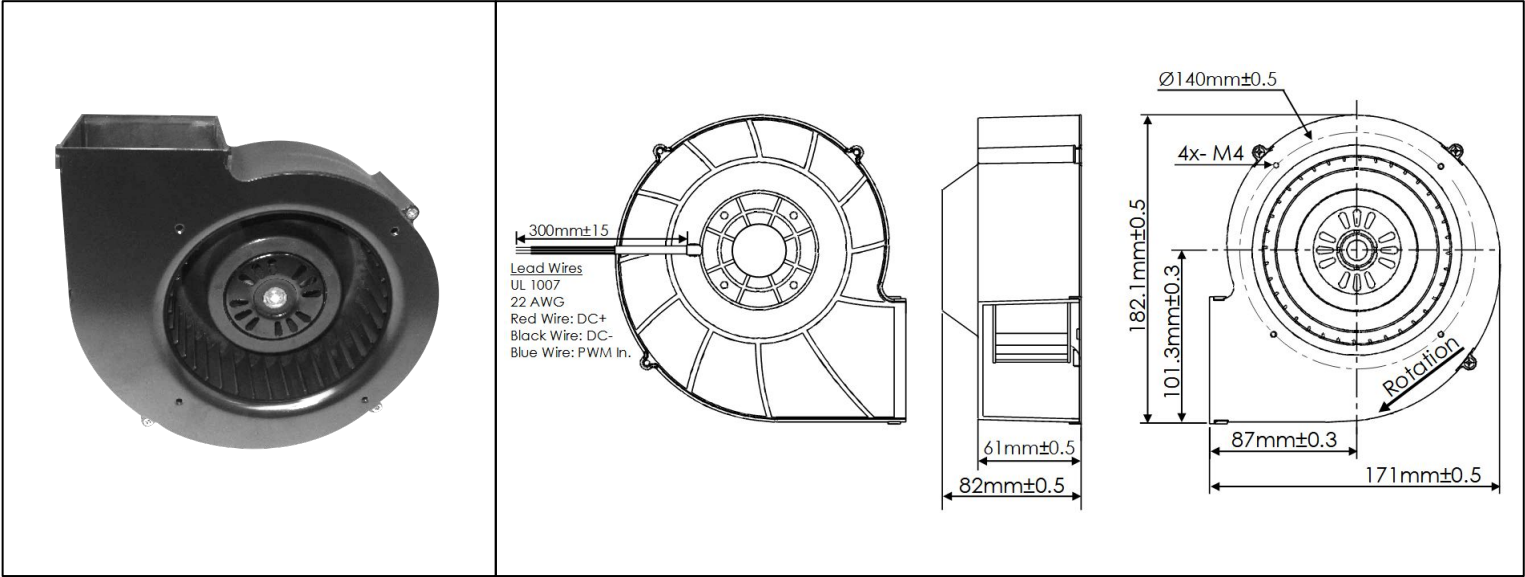
Frame	PBT, UL94 V-0 Plastic, and Steel cover, Black Finish	<u>Operating Temperature</u> -10°C ~ +70°C	
Impeller	PBT, UL94 V-0 Plastic	<u>Storage Temperature</u> -40°C ~ +80°C	
Connection	2x Wire Leads, 22 AWG	<u>Life Expectancy</u> 50,000 Hours (L10 at 40°C)	
Motor	Brushless DC, Auto Cutoff, Auto Restart, Electronically Protected, Polarity Protected	<u>Available Options</u> PWM Speed Control Input Thermal Speed Control Tachometer Output Alarm Output	
Bearing System	Ball Bearings	Weight: 2.54 lbs.	
Dielectric Strength	500VDC/min, <1mA		
Insulation Resistance	≥10MΩ @ 500 VDC		

Part Number	Rated Voltage (Volts DC)	Voltage Range (Volts DC)	Input Power (Watts)	Rated Current (Amps)(Max)	Rated Speed (RPM)	Max Airflow (CFM)	Noise Level (dBA)	Max Static Pressure (\"H ₂ O)
ODB182-24HB	24	12 ~ 27	53	2.2 (2.64)	2000	136.2	63.6	2.50
ODB182-48HB	48	24 ~ 55	53	1.1 (1.33)	2000	136.2	63.6	2.50

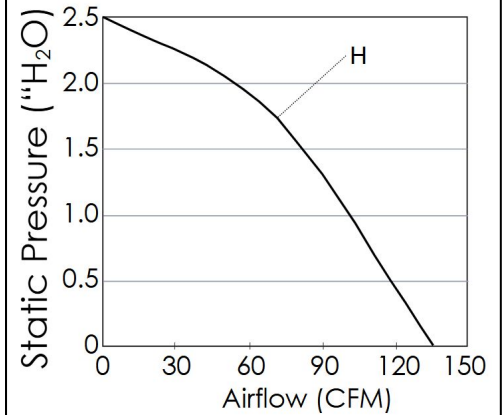
ODB182 Series with PWM



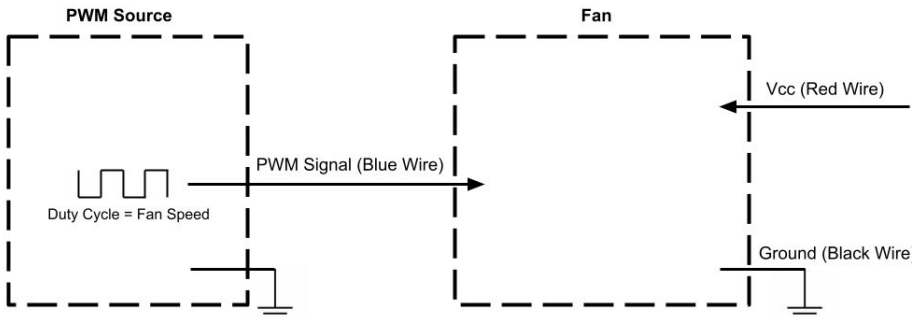
DC Blowers - 24, 48V
182mm x 171mm x 82mm
(7.2" x 6.7" x 3.2")



Frame	PBT, UL94 V-0 Plastic, and Steel cover, Black Finish	Operating Temperature -10°C ~ +70°C
Impeller	PBT, UL94 V-0 Plastic	Storage Temperature -40°C ~ +80°C
Connection	3x Wire Leads, 22 AWG	Life Expectancy 50,000 Hours (L10 at 40°C)
Motor	Brushless DC, Auto Cutoff, Auto Restart, Electronically Protected, Polarity Protected	Installed Options PWM Speed Control Input
Bearing System	Ball Bearings	Available Options IP Ratings
Dielectric Strength	500VDC/min, <1mA	Weight: 2.54 lbs.
Insulation Resistance	≥10MΩ @ 500 VDC	



Part Number	Rated Voltage (Volts DC)	Voltage Range (Volts DC)	Input Power (Watts)	Rated Current (Amps)(Max)	Rated Speed (RPM)	Max Airflow (CFM)	Noise Level (dBA)	Max Static Pressure (\"H ₂ O
ODB182-24HB05	24	12 ~ 27	53	2.2 (2.64)	2000	136.2	63.6	2.50
ODB182-48HB05	48	24 ~ 55	53	1.1 (1.33)	2000	136.2	63.6	2.50



PWM Max High Voltage: 20V
 PWM Min High Voltage: 3V
 PWM Max Sink Current: 5mA
 PWM Frequency Range: 20KHz-30KHz
 PWM Typical Frequency: 25KHz
 RPM at 0% Duty Cycle: 0 RPM
 RPM will be full speed if PWM input is disconnected.

Duty Cycle(%)	0%	40%	100%
R.P.M(Ref.)	0	1300	2000