

Datasheet

# E1.S 4TG2-P series

- PCIe Gen. 4x4, NVMe 1.4.
- iCell technology for power loss protection.
- Stable sustained performance.
- LDPC ECC engine supported.
- Dynamic thermal management.



## Introduction

Innodisk E1.S 4TG2-P is an NVM Express SSD designed as the standard E1.S form factor with PCIe interface and 3D TLC NAND Flash. E1.S 4TG2-P supports PCIe Gen. 4x4, and it is compliant with NVMe 1.4 providing excellent performance. E1.S 4TG2-P with heatsink design dissipates heat generated from IC, making SSD performs more steadily. E1.S 4TG2-P has Die RAID protection to reduce bad blocks happening and optimize data integrity.

Innodisk E1.S 4TG2-P provides ultra-speed and high IOPS and offers maximum capacity up to 4TB, making the SSD optimal for server and heavy data workload applications.

# E1.S

## 4TG2-P series

Contact us for more information about the E1.S 4TG2-P.

Innodisk is a service-driven provider of industrial embedded flash and DRAM storage products and technologies, with a focus on the cloud computing, industrial/embedded, and aerospace and defense industries.

### Headquarters (Taiwan)

5F., No. 237, Sec. 1, Datong Rd., Xizhi Dist., New Taipei City 221, Taiwan  
Tel: +886-2-7703-3000  
Email: sales@innodisk.com

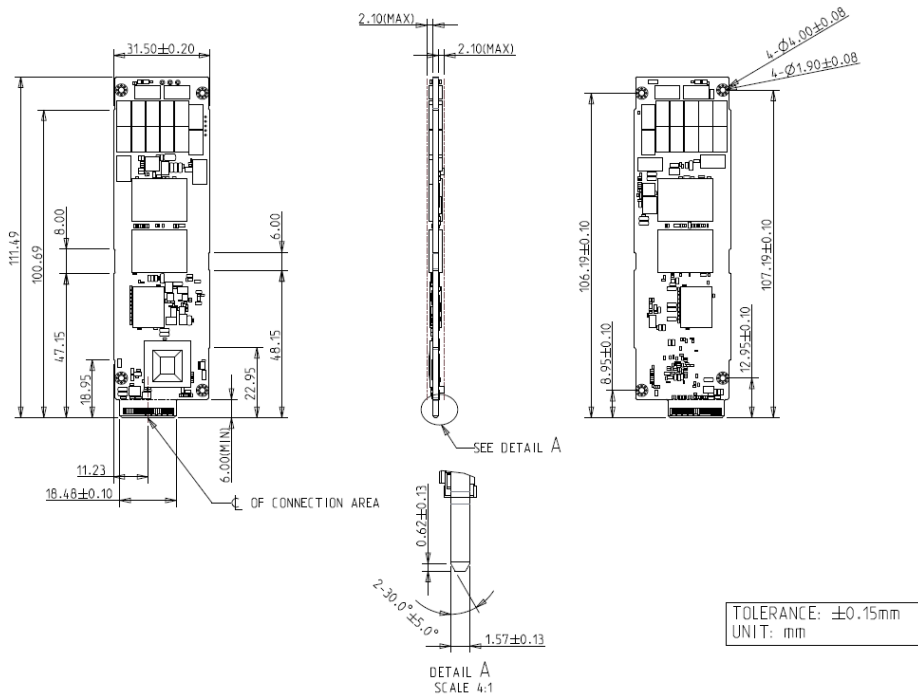
### Branch Offices:

USA  
[usales@innodisk.com](mailto:usales@innodisk.com)  
+1-510-770-9421  
Europe  
[eusales@innodisk.com](mailto:eusales@innodisk.com)  
+31-40-3045-400  
Japan  
[jpsales@innodisk.com](mailto:jpsales@innodisk.com)  
+81-3-6667-0161  
China  
[sales\\_cn@innodisk.com](mailto:sales_cn@innodisk.com)  
+86-755-21673689  
[www.innodisk.com](http://www.innodisk.com)

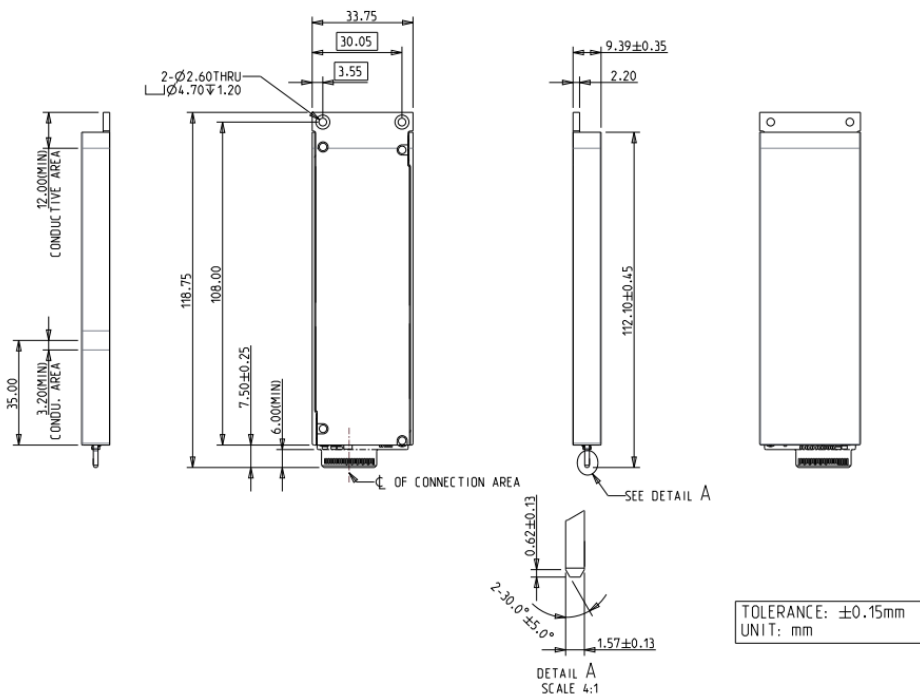
© 2022 Innodisk Corporation.  
All right reserved. Specifications are subject to change without prior notice.

20240304

### Diagram 5.9mm



### Diagram 9.5mm enclosure



Contact us for more information about the E1.S 4TG2-P.

Innodisk is a service-driven provider of industrial embedded flash and DRAM storage products and technologies, with a focus on the cloud computing, industrial/embedded, and aerospace and defense industries.

**Headquarters (Taiwan)**

5F., No. 237, Sec. 1, Datong Rd., Xizhi Dist., New Taipei City 221, Taiwan  
 Tel: +886-2-7703-3000  
 Email: sales@innodisk.com

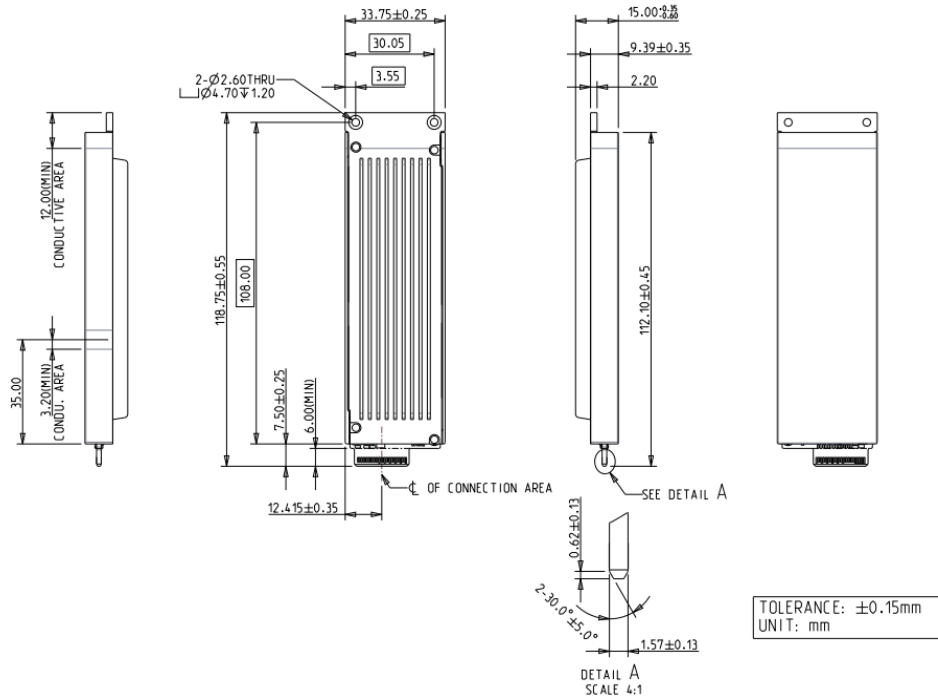
**Branch Offices:**

USA  
[usasales@innodisk.com](mailto:usasales@innodisk.com)  
 +1-510-770-9421  
 Europe  
[eusales@innodisk.com](mailto:eusales@innodisk.com)  
 +31-40-3045-400  
 Japan  
[jpsales@innodisk.com](mailto:jpsales@innodisk.com)  
 +81-3-6667-0161  
 China  
[sales\\_cn@innodisk.com](mailto:sales_cn@innodisk.com)  
 +86-755-21673689  
[www.innodisk.com](http://www.innodisk.com)

© 2022 Innodisk Corporation.  
 All right reserved. Specifications are subject to change without prior notice.

20240304

**Diagram 15mm enclosure**



# Specifications

**Contact us for more information about the E1.S 4TG2-P.**

Innodisk is a service-driven provider of industrial embedded flash and DRAM storage products and technologies, with a focus on the cloud computing, industrial/embedded, and aerospace and defense industries.

**Headquarters (Taiwan)**

5F., No. 237, Sec. 1, Datong Rd., Xizhi Dist., New Taipei City 221, Taiwan  
Tel: +886-2-7703-3000  
Email: sales@innodisk.com

**Branch Offices:**

USA  
[usasales@innodisk.com](mailto:usasales@innodisk.com)  
+1-510-770-9421  
Europe  
[eusales@innodisk.com](mailto:eusales@innodisk.com)  
+31-40-3045-400  
Japan  
[jpsales@innodisk.com](mailto:jpsales@innodisk.com)  
+81-3-6667-0161  
China  
[sales\\_cn@innodisk.com](mailto:sales_cn@innodisk.com)  
+86-755-21673689  
[www.innodisk.com](http://www.innodisk.com)

© 2022 Innodisk Corporation.  
All right reserved. Specifications are subject to change without prior notice.

20240304

Interface	PCIe Gen. 4x4
Flash Type	3D TLC
P/E cycle	3,000
Capacity	512GB~4TB
Max. Channels	8
Sequential R/W (MB/sec, max.)	6,900/4,700
Max. Power Consumption	10.9W
Thermal Sensor	✓
External DRAM buffer	✓
TCG Opal	✓
H/W Write Protect	NA
Dimension (WxLxH)	5.9mm: 31.5 X 111.5 X 5.9 mm 9.5mm: 33.75 X 118.75 X 9.5 mm 15mm: 33.75 X 118.75 X 15 mm
Environment	Vibration: 20G @7~2000Hz Shock: 1500G @ 0.5ms Storage Temperature: -40°C ~ +85°C MTBF: 3 million hours

## Ordering Information

Operation Temp.	512GB	1TB	2TB	4TB
Standard Grade (0°C ~ +70°C)	DGE1S-C12DP1KCAEFP%	DGE1S-01TDP2KCAEFP%	DGE1S-02TDP2KCAEFP%	DGE1S-04TDP2KCAEFP%
Industrial Grade (-40°C ~ +85°C)	DGE1S-C12DP1KWAEFP%	DGE1S-01TDP2KWAEFP%	DGE1S-02TDP2KWAEFP%	DGE1S-04TDP2KWAEFP%

Operation temperature based on temperature obtained from S.M.A.R.T.

?: Non-existent=5.9mm; H=9.5mm enclosure; H1=15mm enclosure

E1.S 4TG2-P specifications are subject to change.

