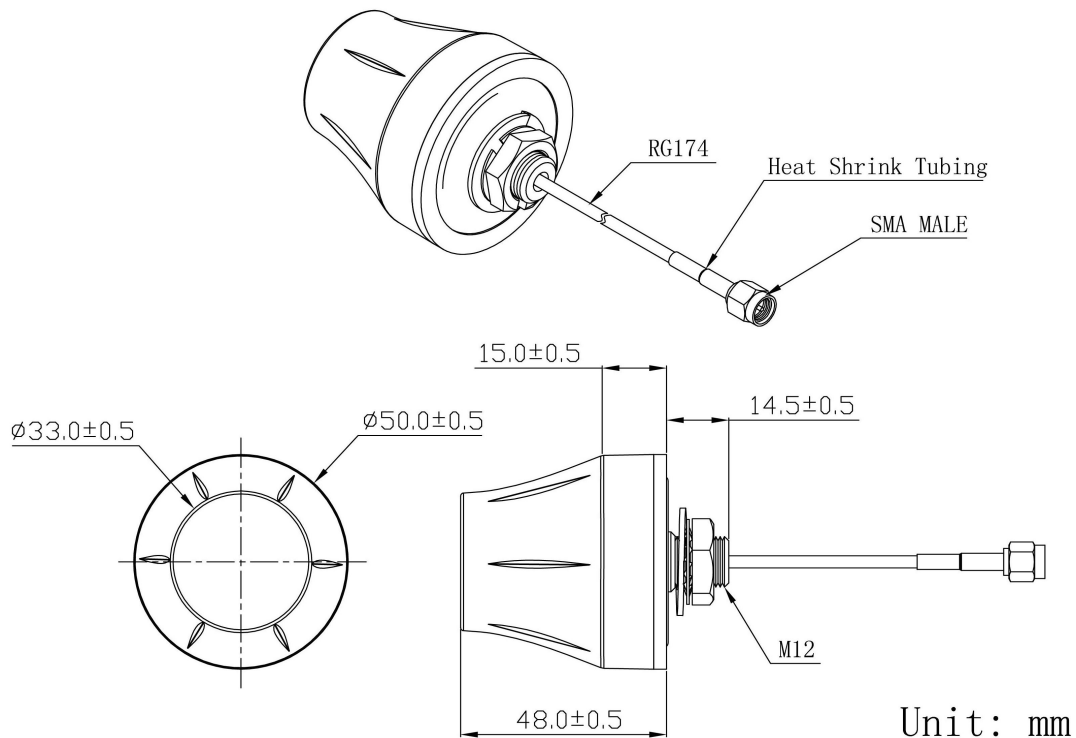


WIFI Antenna

JCW062



DIMENSIONS





SPECIFICATIONS

Item		Specifications
Antenna	Frequency Range	2400~2483.5MHz/4900~5825MHz
	Polarization	Linear
	Gain	2dBi
	V.S.W.R	<2.5
	Impedance	50 Ω
Mechanical	Cable	RG174
	Connector	SMA or others
	Material	ABS
	Mounting Method	Screw
Environmental	Operating Temperature	-40°C~+85°C
	Relative Humidity	Up to 95%
	Ingress Protection	IP67 (exclude cable outlet)
	Vibration	10 to 55Hz with 1.5mm amplitude 2hours
	Environmentally Friendly	ROHS Compliant