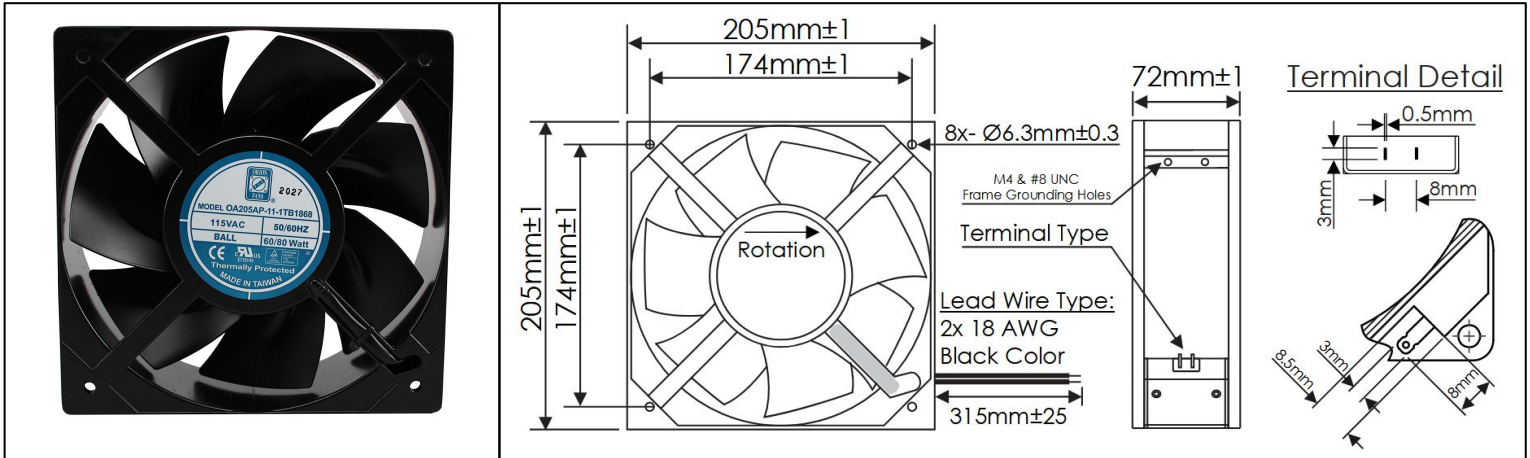


# OA205AP IP Rated Series



AC Fans - 115, 230V  
205mm x 205mm x 72mm  
(8.0" x 8.0" x 2.8")



<b>Frame</b>	Die Cast Aluminum, Black	<b>Operating Temperature</b> -30°C ~ +80°C  <b>Storage Temperature</b> -40°C ~ +100°C  <b>Life Expectancy</b> 50,000 Hours (L10 at 55°C)  <b>Available Options</b> Tachometer Output Alarm Output  Weight: 5.18 lbs.	
<b>Impeller</b>	Steel, All Metal, 7 Blade		
<b>Connection</b>	Lead Wires, 300mm 18 AWG, or Terminals		
<b>Motor</b>	AC, Outer Rotor, Capacitor Induction, Single Phase, Thermally Protected, IP68 or IP69K		
<b>Bearing System</b>	Ball Bearings		
<b>Dielectric Strength</b>	1500VAC/min, <5mA		
<b>Insulation Resistance</b>	≥10MΩ @ 500V DC		

Part Number	Rated Voltage (Volts AC)	Voltage Range (Volts AC)	Input Power (Watts)	Frequency (Hertz)	Rated Speed (RPM)	Max Airflow (CFM)	Noise Level (dBA)	Max Static Pressure ("H <sub>2</sub> O)
OA205AP-11-1*B18xxx	115	100 ~ 130	60 / 80	50 / 60	2750 / 3000	520 / 590	67.4	0.91 / 0.86
OA205AP-22-1*B18xxx	230	200 ~ 255	60 / 80	50 / 60	2750 / 3000	520 / 590	67.4	0.91 / 0.86

\*Insert "T" for Terminals, or "W" for Lead Wires  
xxx Insert "68" for IP68 Rating, or "69K" for IP69K Rating