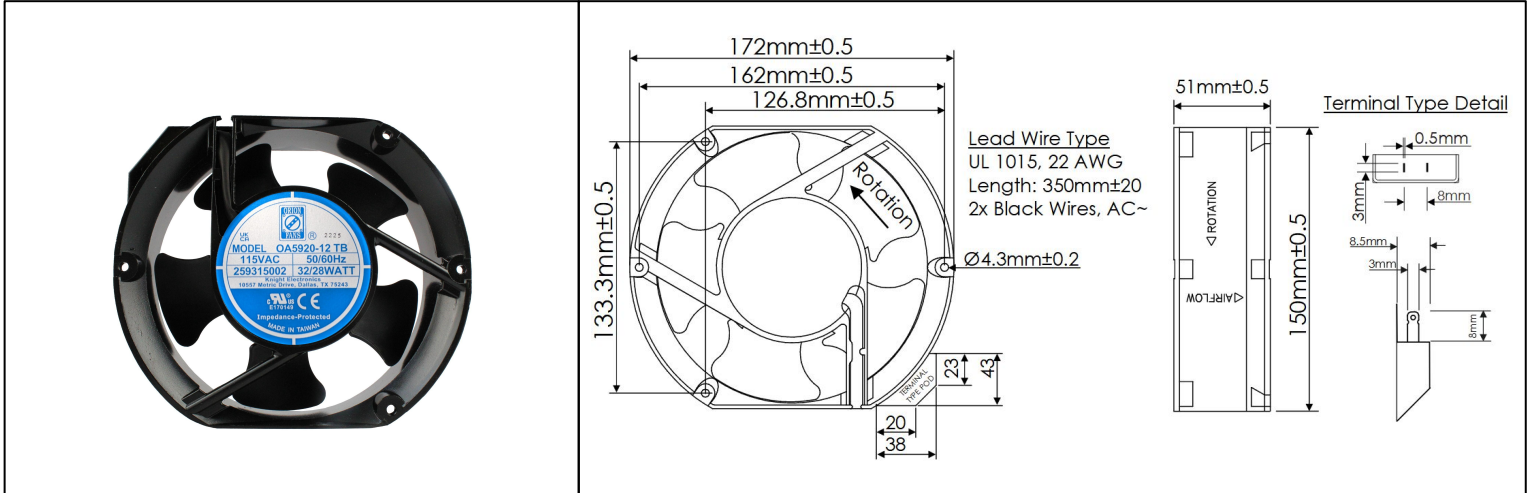


OA5920 Series



AC Fans - 115, 230V
172mm x 150mm x 51mm
(6.8" x 5.9" x 2.0")



Frame	Die Cast Aluminum, Black Finish	Operating Temperature -40°C ~ +70°C	
Impeller	PBT, UL94 V-0 Plastic	Storage Temperature -40°C ~ +80°C	
Connection	Wire Leads, 22 AWG, or Terminals	Life Expectancy 40,000 Hours (L10 at 40°C)	
Motor	AC Shaded Pole, Single Phase, Impedance Protected, Class B Insulation	Available Options IP55 Rating	
Bearing System	Ball Bearings	Weight: 2.0 lbs	
Insulation Resistance	1500VAC/min, <1mA		
Dielectric Strength	≥10MΩ @ 500V DC		

Part Number	Rated Voltage (Volts AC)	Voltage Range (Volts AC)	Frequency (Hertz)	Input Power (Watts)	Rated Current (Amps) (Max)	Rated Speed (RPM)	Max Airflow (CFM)	Noise Level (dBA)	Max Static Pressure ("H ₂ O)
OA5920-12*B	115	105 ~ 125	50	32	0.43 (0.62)	2725	170	50.4	0.42
OA5920-12*B	115	105 ~ 125	60	28	0.37 (0.54)	3075	195	55.2	0.38
OA5920-23*B	230	210 ~ 255	50	35	0.22 (0.32)	2725	170	50.4	0.42
OA5920-23*B	230	210 ~ 255	60	30	0.19 (0.28)	3075	195	55.2	0.38

*Substitute "T" for Terminal type power connection, or "W" for Wire Lead type power connection.