

BX-S3300P2

Embedded Fanless System with Intel 9th Coffee lake refresh platform

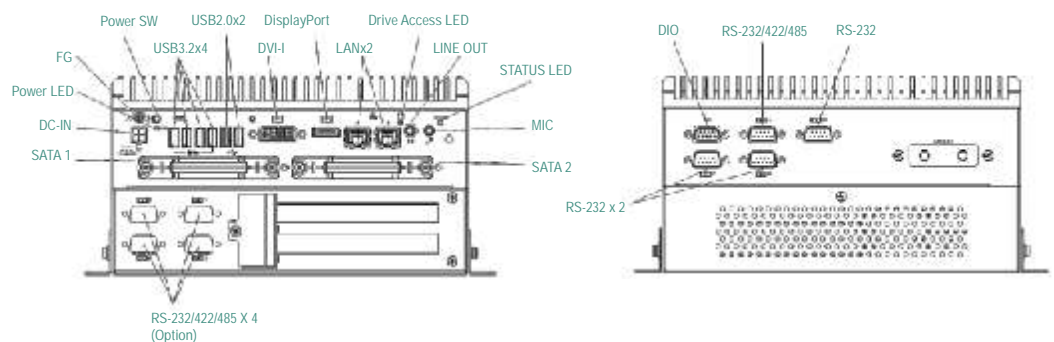


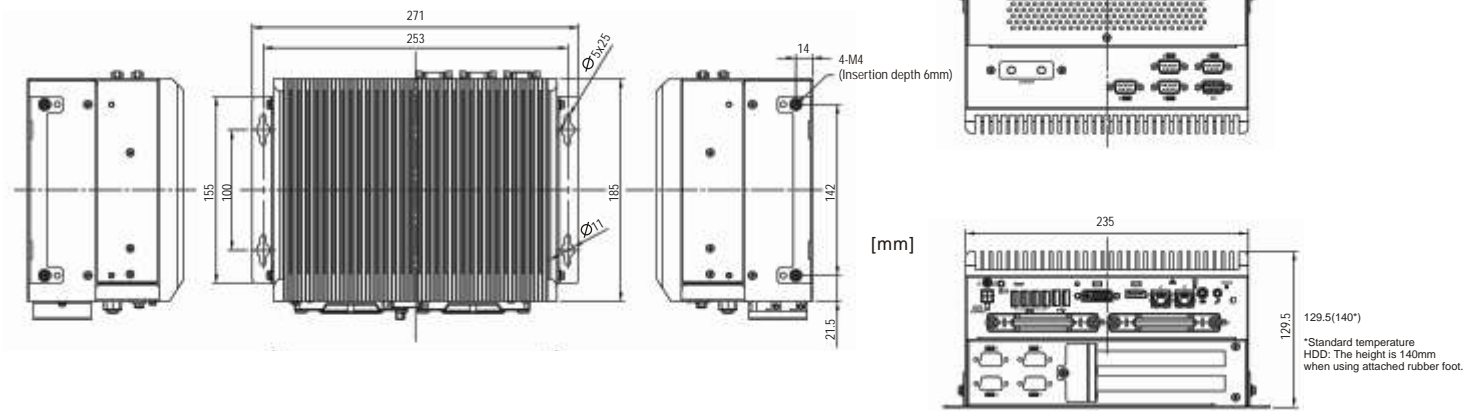
Features

- Intel® 9th Coffee Lake refresh Platform
- 2 x 2.5" Storage devices with RAID 0, 1 supported
- 2 x PCIe x8 expansion slots
- Dual Giga LAN, 4x COM, 4x USB 3.2(Gen 2), 2x USB 2.0(Hi speed), 1x GPIO, 1x DVI-I, 1x DP and other rich expansion interface
- Wide range DC input

Optional Configuration

- 2x 2.5" Storage Device
- 1x M.2 Key M device Support(PCle x4 / SATA / SMBus)
- 1x PCI Express Mini Card Slot device (PCIe I/F)
- AC adapter 24V/120W
- OS Windows 10 IoT Enterprise 2019 LTSC 64-bit





Specifications

System	CPU	9th Generation Coffee lake Refresh Intel® Core™ i7-9700TE Processor 9th Generation Coffee lake Refresh Intel® Core™ i5-9500TE Processor
	CHIPSET	Intel® C246 Controller Hub
	SYSTEM MEMORY	DDR4-2666, 260-pin SO-DIMM x 2, Max. 32 GB (Non ECC support)
	GRAPHICS	Intel® UHD Graphics 630
	DISPLAY INTERFACE	DP, DVI-I (DVI-D + VGA), LVDS (Internal)
	STORAGE SLOT	2.5" HDD/SSD x 2 (Removeable Bay) M.2 key M 2242 x 1
	ETHERNET	Intel® I219-LM(PHY) & Intel® I210-AT(Wake On LAN support)
	AUDIO CODEC	Realtek ALC888S-VD2-GR
	AUDIO	Mic-in, Line-out
	SUPER I/O	NUVOTON NCT6106D Mini-PCI/e x 1 M.2 key M 2242 x 1
EXPANSION SLOT	Maximum Card Size: 111.15 mm (H) x 167.65mm (L) (Without the I/O Bracket)PCIe x8 2 Slot	
INTERFACE	Mic-in x 1 and Line-out(front panel) x 1 USB 3.2 Gen 2 x 4 (front panel) USB 2.0 x 2 (front panel) USB 2.0 x 2 (Internal) 4 pin(Reserve) 4 PIN power jack x 1 Software-programmable RS-232 / 422 / 485 ports x 1 (Rear panel) RS-232 male ports x3 (Rear panel) 6 bit programmable + control power button DIO Port TPM 2.0, RAID(0,1), iAMT(11.0) Power Button(Front Panel) x 1	
Power Requirement	POWER INPUT	12-24V(±10%,DC10.8-26.4V) Wide Rage DC Input w/ Terminal Block Connectivity
	POWER ADAPTER	AC to DC, DC 24V/ 5A, 120W adaptor
Mechanical	THERMAL DESIGN	Fanless
	MOUNTING	Wall mount / Desktop
	DIMENSIONS (W X D X H)	235(W) x 185(D) x 129.5(H) mm (No protrusions)
	WEIGHT	4.6 kg
	MATERIAL	Top cover: Aluminum Alloy , Bezel and chassis: Steel
Environmental	OPERATING TEMPERATURE	[CPU Turbo mode enable] ; Expansion Slot loading 25W 0°C-50°C with Air Flow: 0.7 m/s (with wide Temp. SSD) 0°C-40°C with Air Flow: 0.7 m/s (with wide Temp. HDD) [CPU Turbo mode Disable] ; Expansion Slot loading 25W 0°C-50°C with Air Flow: 0.7 m/s (with standard Temp. SSD) 0°C-40°C with Air Flow: 0.7 m/s (with standard Temp. HDD)
	STORAGE TEMPERATURE	-10-60°C
	OPERATING HUMIDITY	10%-90% (Non-condensing)
	VIBRATION RESISTANCE	JIS C 60068-2-6:2010 HDD (Operating): 10 ~ 50Hz/4.9m/s ² (0.5G); 1oct/min, 1 cycle(10-50-10 Hz) ; 5 cycles X,Y,Z per axis(25 mins/axis) SSD (Operating): 10 ~ 57 Hz / 0.15 mm (0-p); 57 ~ 150 Hz / 19.6 m/s ² (2G); 1 oct/min, 1 cycle(10-150-10 Hz) ; 5 cycles X,Y,Z per axis(40 mins/axis)
	SHOCK RESISTANCE	JIS-60068-2-27: 2011 98m/s ² (10G) / 11ms / half sine: 3 times X,Y,Z per axis
	CERTIFICATION / SAFETY	CE(including LVD) & FCC & VCCI class A / RoHS 2.0
OS	OS SUPPORT	Windows® 10 Enterprise 2019 LTSC 64Bit (English)

Ordering Guide	
● BX-S3300P2-DCB800000	Base model with Intel® Core™ i5-9500TE, 8GB DDR4-2666 Non-ECC Memory, 2x PCIe(x8) Slot
● BX-S3300P2-DCC800000	Base model with Intel® Core™ i7-9700TE, 8GB DDR4-2666 Non-ECC Memory, 2x PCIe(x8) Slot