

BX-S3300

Embedded Fanless System with Intel® 9th Coffee Lake Refresh Platform

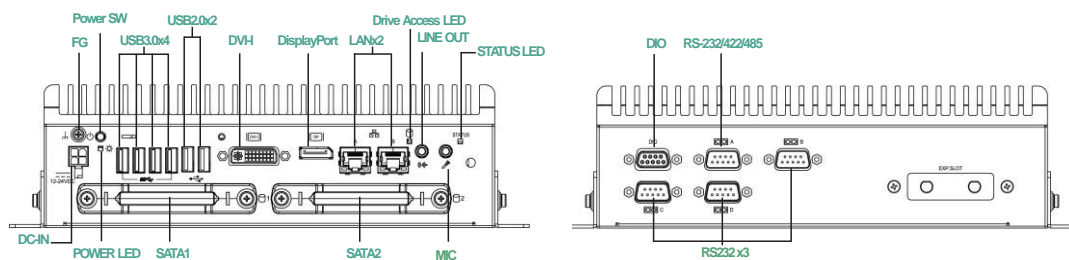


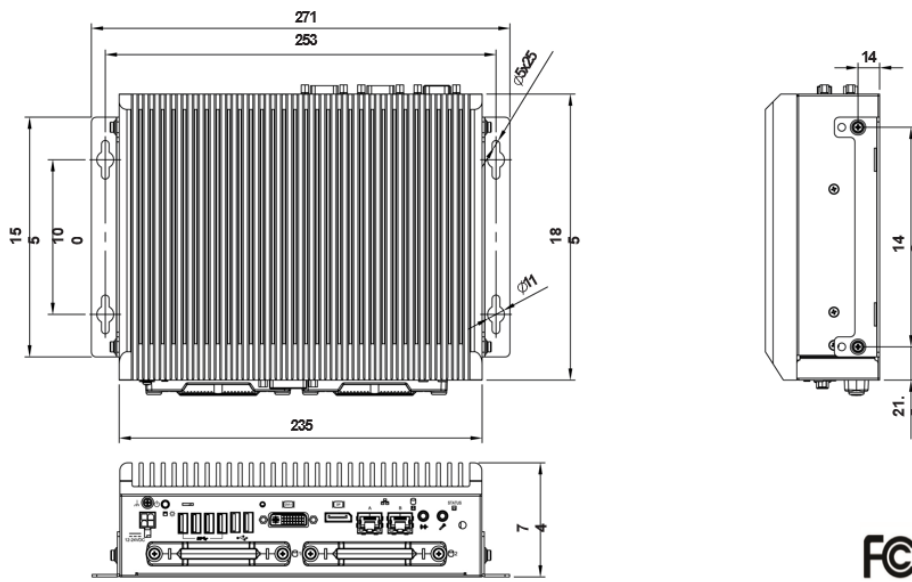

Features

- Intel® Xeon, Core™ or Celeron® processor with Intel® C246 Chipset
- Two 2.5 storage devices (up to 2 TB each): RAID 0,1
- Silent fanless design with high airtight chassis A4 Small design and cost effective
- Dual Giga LAN, 4x COM, 4x USB 3.2(Gen 2), 2x USB 2.0, 1x DIO, 1x DVI-I, 1x DP and other rich expansion interface

Optional Configuration

- 2 x 2.5" Drive Bay
- 3 x RS232, 1x RS232/422/485, 1x DIO
- 1 x M.2 Key M(2242)
- 1 x PCI Express Mini Card Slot(PCle I/F; Full Size)
- AC adapter 24V/120W
- OS Support Windows®10 IoT Enterprise LTSC 2019 / 2021 (64 bit)





Specifications

System	CPU	9 th Generation Coffee Lake Refresh Intel® Xeon E-2278GEL Processor 9 th Generation Coffee Lake Refresh Intel® Core™ i3-9100TE Processor 9 th Generation Coffee Lake Refresh Intel® Celeron® G4900T Processor 9 th Generation Coffee Lake Refresh Intel® Core™ i5-9500TE Processor 9 th Generation Coffee Lake Refresh Intel® Core™ i7-9700TE Processor
	CHIPSET	Intel® C246 Controller Hub
	SYSTEM MEMORY	DDR4-2666, 260-pin SO-DIMM x 2, Max. 32 GB (ECC)
	GRAPHICS	Intel® HD Graphics
	DISPLAY INTERFACE	DP, DVI-I (DVI-D + VGA)
	STORAGE SLOT	2.5" HDD/SSD x 2 (Removable Bay) M.2 key M x 1
	ETHERNET	Intel® I219-LM(PHY) & Intel® I210-AT
	AUDIO	Mic-in, Line-out
	SUPER I/O	NUVOTON NCT6106D
	EXPANSION SLOT	Mini-PCI/e x 1 (Full Size) M.2 key M 2242 x 1
Power Requirement	POWER INPUT	12~24V(±10%,DC10.8-26.4V) Wide Range DC Input w/ Terminal Block Connectivity
	POWER ADAPTER	AC to DC, DC 24V/ 5A, 120W adaptor w/ Terminal Block Connectivity
Mechanical	THERMAL DESIGN	Fanless
	MOUNTING	Wall mount / Desktop
	DIMENSIONS (W X D X H)	235(W) x 185(D) x 74(H) mm (No protrusions)
	WEIGHT	3.0 kg
	MATERIAL	Top cover: Aluminum Alloy , Bezel and chassis: Steel
Environmental	OPERATING TEMPERATURE	0°C~50°C with Air Flow: 0.7 m/s (w/ Standard Temp. SSD) 0°C~40°C with Air Flow: 0.7 m/s (w/ Standard Temp. HDD)
	STORAGE TEMPERATURE	-10~60°C
	OPERATING HUMIDITY	10%~90% (Non-condensing)
	VIBRATION RESISTANCE	IEC 60068-2-6 HDD (Operating): 10 ~ 50Hz/4.9m/s ² (0.5G); 1 oct/min, 1 cycle(10-150-10 Hz); 5 cycles X,Y,Z per axis (25 mins/axis) SSD (Operating): 10 ~ 57 Hz / 0.15 mm (0-p); 57 ~ 150 Hz / 19.6 m/s ² (2G); 5 cycles X,Y,Z per axis (40 mins/axis)
	SHOCK RESISTANCE	IEC 60068-2-27 98m/s ² (10G) / 11ms / half sine; 3 times X,Y,Z per axis
	CERTIFICATION	CE / FCC / UKCA (Class A) , RoHS2.0 , BIS
OS	OS SUPPORT	Windows®10 IoT Enterprise LTSC 2019 / 2021 (64 bit)

Ordering Guide

BX-S3300-DCA800000	Base model with Intel® Celeron® G4900T, DDR4 8GB ECC SODIMM
BX-S3300-DC9800000	Base model with Intel® Core™ i3-9100TE, DDR4 8GB ECC SODIMM
BX-S3300-DCB800000	Base model with Intel® Core™ i5-9500TE, DDR4 8GB ECC SODIMM
BX-S3300-DCC800000	Base model with Intel® Core™ i7-9700TE, DDR4 8GB ECC SODIMM
BX-S3300-DC8800000	Base model with Intel® Xeon E-2278GEL, DDR4 8GB ECC SODIMM