

EmETXe-i91U0

8th Generation Intel® Core™ i7-8665UE/i5-8365UE/i3-8145UE/ Celeron 4305UE Processor COM Express® Compact Type 6 CPU Module



Features

- Soldered onboard 8th Generation Intel® Core™ i7-8665UE/ i5-8365UE/ i3-8145UE/ Celeron 4305UE processor
- Intel® I219LM PCIe GbE PHY
- Dual Channels 24-bit LVDS and 2 x DDI ports or 1 x DDI + 1 x Analog RGB
- Support 3 independent displays
- 8.5V~20V Wide Range Voltage Input
- Support Intel® Solid State Drive (SSD) Embedded "E" SKU's
- **Wide Range Operating Temp.: -40 ~ 85°C**

System

CPU	Soldered onboard 8 th Generation Intel® Core™ - i7-8665UE 1.7GHz (Base)/ 4.4GHz (Turbo) - i5-8365UE 1.6GHz (Base)/ 4.1GHz (Turbo) - i3-8145UE 2.2GHz (Base)/ 3.9GHz (Turbo) - Celeron 4305UE 2.2GHz processor
Memory	2 x DDR4 SO-DIMM sockets
BIOS	AMI UEFI BIOS
Watchdog Timer	1~255 levels reset

I/O

USB Port	12 x USB ports: - 8 x USB 2.0 ports - 4 x USB 3.1 ports
Serial Port	2 x UART ports (RX/TX only)
Expansion Bus	8 x PCIe x1 lanes, I2C Interface
Digital I/O	8-bit Digital Input/Output
Storage	2 x Serial ATA ports Soldered onboard eMMC 5.0 up to 32GB (OEM Request)
Ethernet Chipset	1 x Intel® i219LM PCIe GbE PHY
Audio	HD audio link
TPM	TPM 2.0

Display

Graphic Chipset	Intergrated Intel® HD Graphics 620
Graphic Interface	LCD: Dual Channels 24-bit LVDS 2 x DDI ports or 1 x DDI port, 1 x Analog RGB port

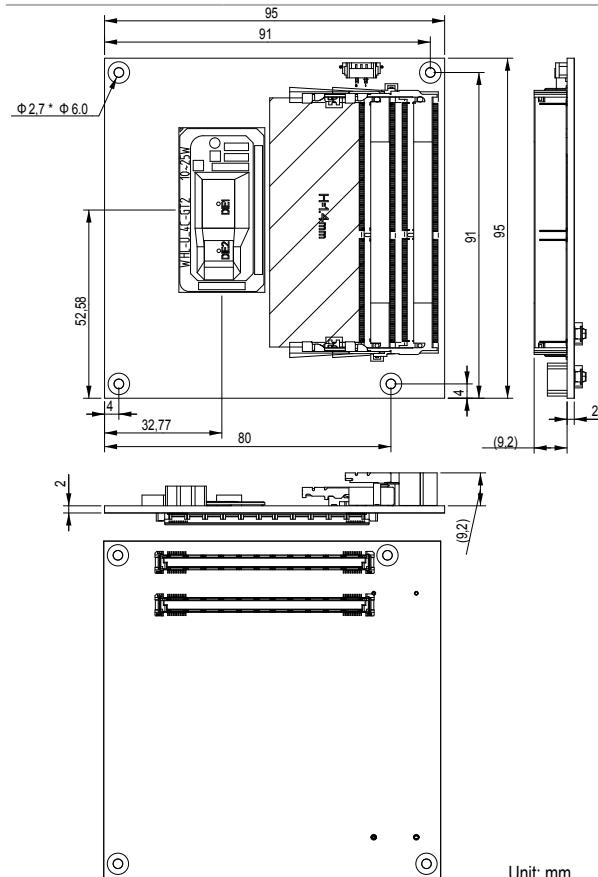
OS support

Windows 10 64-bit
Linux: Ubuntu

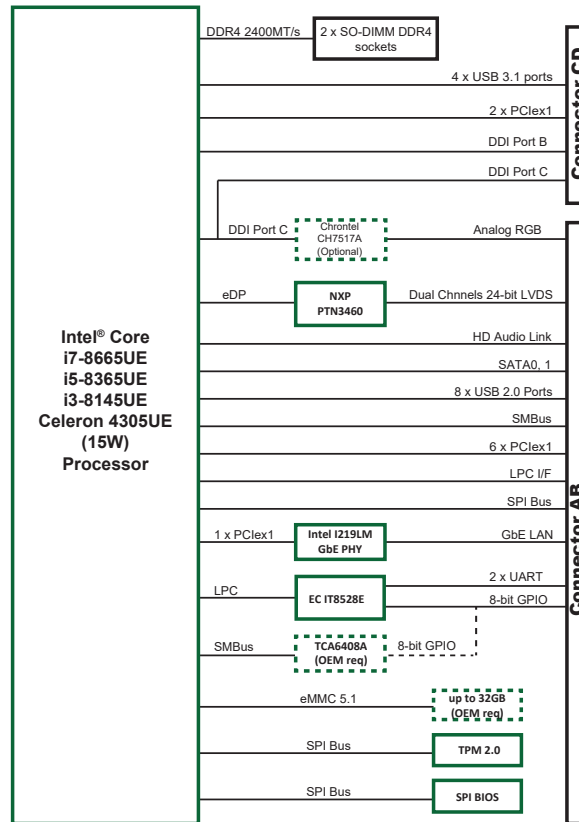
Mechanical & Environmental

Power Requirement	8.5V~20V +/- 5% wide range voltage input, +5VSB
Power Consumption	2.3A@12V (i7-8665UE typical, CPU module only)
Operating Temp.	-40 ~ 85°C (-40 ~ 185°F)
Operating Humidity	10 ~ 95% @ 85°C (non-condensing)
Dimensions (L x W)	95 x 95 mm (3.7" x 3.7")

Dimensions



Block Diagram



Ordering Information

EmETXe-i91U0-WT-8665UE	8 th Generation Intel [®] Core™ i7-8665UE WT COM Express [®] Compact Type 6 CPU module, w/ DDI
EmETXe-i91U0-WT-8365UE	8 th Generation Intel [®] Core™ i5-8365UE WT COM Express [®] Compact Type 6 CPU module, w/ DDI
EmETXe-i91U0-WT-8145UE	8 th Generation Intel [®] Core™ i3-8145UE WT COM Express [®] Compact Type 6 CPU module-, w/ DDI
EmETXe-i91U0-WT-4305UE	8 th Generation Intel [®] Core™ Celeron 4305UE WT COM Express [®] Compact Type 6 CPU module, w/ DDI
EmETXe-i91U0-WT-8665UE-RGB	8 th Generation Intel [®] Core™ i7-8665UE WT COM Express [®] Compact Type 6 CPU module, w/ DDI+RGB
EmETXe-i91U0-WT-8365UE-RGB	8 th Generation Intel [®] Core™ i5-8365UE WT COM Express [®] Compact Type 6 CPU module, w/ DDI+RGB
EmETXe-i91U0-WT-8145UE-RGB	8 th Generation Intel [®] Core™ i3-8145UE WT COM Express [®] Compact Type 6 CPU module-, w/ DDI+RGB
EmETXe-i91U0-WT-4305UE-RGB	8 th Generation Intel [®] Core™ Celeron 4305UE WT COM Express [®] Compact Type 6 CPU module, w/ DDI+RGB

Optional Accessories

HS-91U0-F2-T	Heat spreader, threaded standoffs (bore hole) (95x95x11mm)
HS-91U0-F2-NT	Heat spreader, non-threaded standoffs (bore hole) (95x95x11mm)
HS-91U0-C1	Heat sink with Fan (95x95x37.6mm)
PBE-1705-F1	COM Express [®] Type 6 evaluation carrier board with SIO F71869ED module in ATX form factor
CBK-03-1705-00	Cable kit
	1 x SATA cable
	2 x Serial port cables