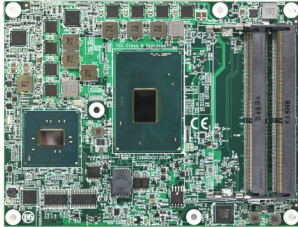


EmETXe-i89M0

Intel® Xeon® E3-1505M v5 and 6th Generation Intel® Core™ i7-6822EQ Processor COM Express® Basic Type 6 CPU Module



Features

- Soldered onboard Intel® Xeon® E3-1505M v5 and 6th Generation Intel® Core™ i7-6822EQ
- Intel I219LM PCIe GbE PHY w/ iAMT
- Dual Channels 24-bit LVDS and 3 x DDI ports
- Support 3 independent displays
- 8.5V~20V Wide Range Voltage Input
- **Wide Range Operating Temp.: -40 ~ 85°C**

System

CPU	Soldered onboard Intel® Xeon® E3-1505M v5 3.7GHz and 6 th Generation Intel® Core™ i7-6822EQ 2.8GHz processor
Chipset	Intel® CM236/QM170 PCH
Memory	2 x DDR4 SO-DIMM sockets
BIOS	AMI UEFI BIOS
Watchdog Timer	1~255 levels reset

I/O

USB Port	12 x USB ports: - 8 x USB 2.0 ports - 4 x USB SuperSpeed ports
Serial Port	2 x UART ports (RX/TX only)
Expansion Bus	8 x PCIe x1 lanes, I2C Interface, GPIO
Storage	4 x Serial ATA ports with 600MB/s HDD transfer rate
Ethernet Chipset	1 x Intel® i219LM PCIe GbE PHY w/ iAMT
Audio	HD audio link
TPM	Supports TPM (OEM Request)

Display

Graphic Chipset	Integrated Intel® HD Graphics 530
Graphic Interface	LCD: Dual Channels 24-bit LVDS 3 x DDI ports

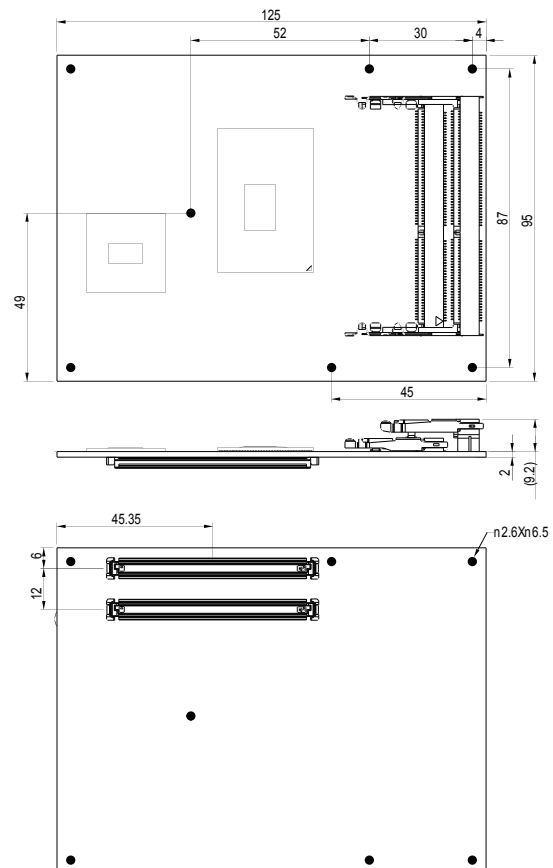
OS support

Windows 7 64-bit	
Windows 8.1 64-bit	
Windows 10 64-bit	
Linux: Ubuntu	

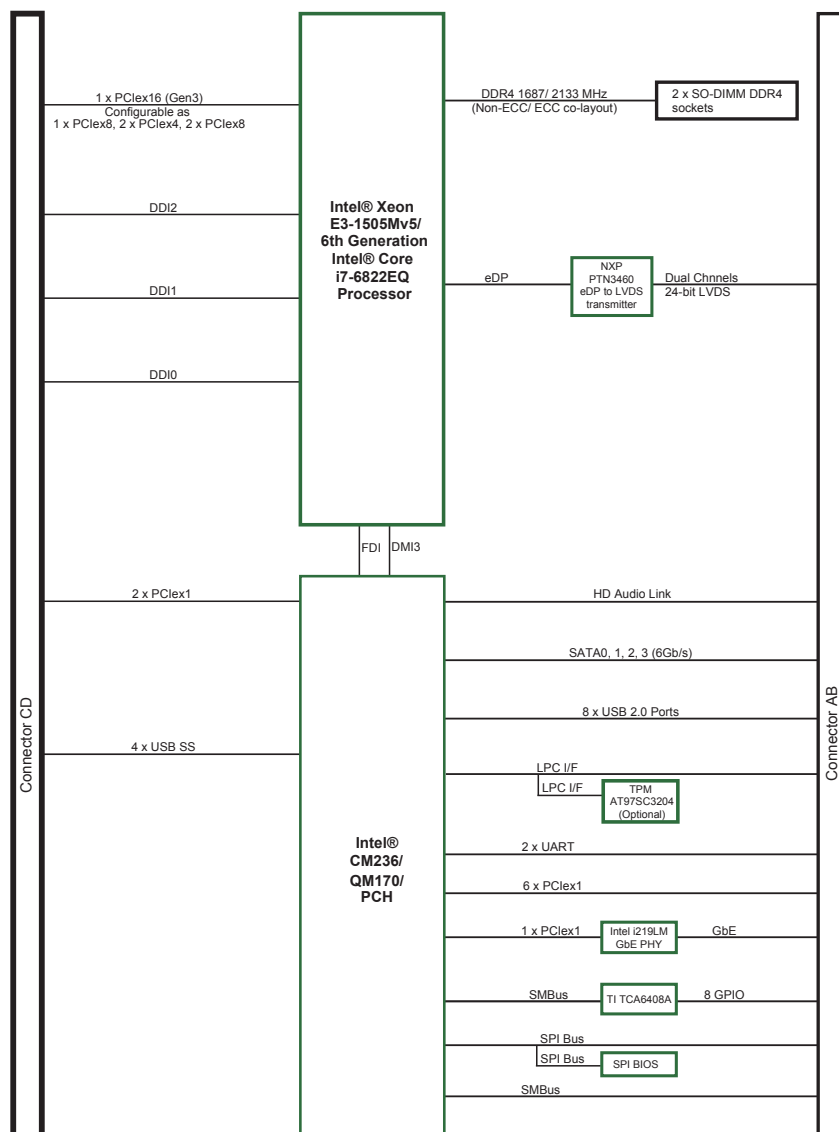
Mechanical & Environmental

Power Requirement	8.5V~20V +/- 5% wide range voltage input, +5VSB
Power Consumption	2.58A@12V (i7-6822EQ typical)
Operating Temp.	-40 ~ 85°C (-40 ~ 185°F)
Operating Humidity	10 ~ 95% @ 85°C (non-condensing)
Dimensions (L x W)	125 x 95 mm (4.9" x 3.7")

Dimensions



Block Diagram



Ordering Information

EmETXe-i89M0-6822EQ	6 th Generation Intel® Core™ i7-6822EQ WT COM Express® Basic Type 6 CPU Module
EmETXe-i89M0-1505M	Intel® Xeon® E3-1505M v5 WT COM Express® Basic Type 6 CPU Module

Optional Accessories

HS-89M0-F1	Heat spreader, threaded standoffs (bore hole) (125x95x18mm)
HS-89M0-C1	Heat sink with Fan (125x95x39.7mm)
PBE-1705-F1	COM Express® Type 6 evaluation carrier board with SIO F71869ED module in ATX form factor
CBK-03-1705-00	Cable kit 1 x SATA cable 2 x COM Flat cables