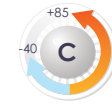
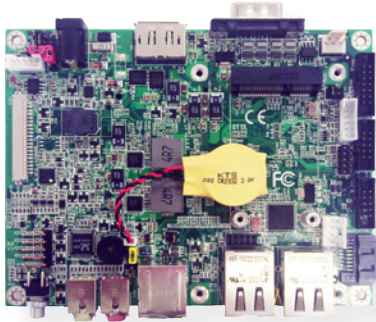


# PBN-9007



## COM Express® Mini Type 10 Carrier Board



### Features

- **COM Express® MiniType 10 Carrier Board**
- Single Channel 24-bit LVDS, and DisplayPort
- Soldered onboard Touch Screen Controller
- **Wide Range Operating Temp.: -40 ~ 85°C**

### I/O

Super IO Chipset	Fintek F71869ED
Serial Port	1 x RS-232 1 x RS-232/422/485 selectable
Digital I/O	8-bit Programmable
Keyboard & Mouse	USB interface Keyboard/ Mouse
USB 2.0	4 x USB 2.0 ports
USB 3.0	2 x USB 3.0 ports
Expansion	1 x Mini-Card Socket, SIM socket
Storage	1 x SATA connector 1 x CFast socket
Ethernet Chipset	1 x by CPU module 1 x Intel 82583V PCIe GbE controller
Digital I/O	8-bit Programmable
Audio	Realtek ALC662 5.1 Channel HD Audio CODEC, Mic-in/ Line-in/ Line-out

### Display

Graphic Interface	LCD: 1 x LVDS connector DDI port: 1 x DisplayPort connector
-------------------	--

### Touch Screen Interface

Mode	5-pin header wire
------	-------------------

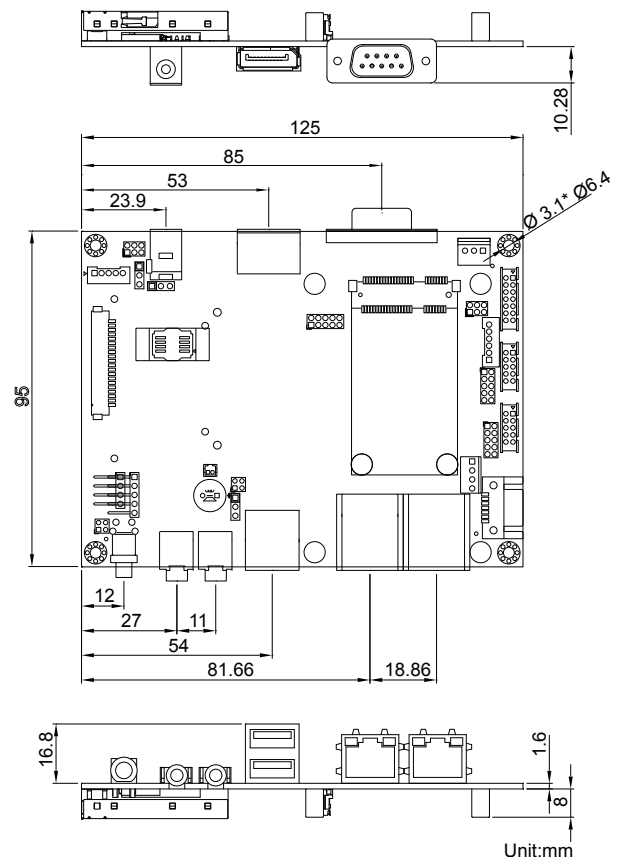
### OS Support

Depends on CPU Module
-----------------------

### Mechanical & Environmental

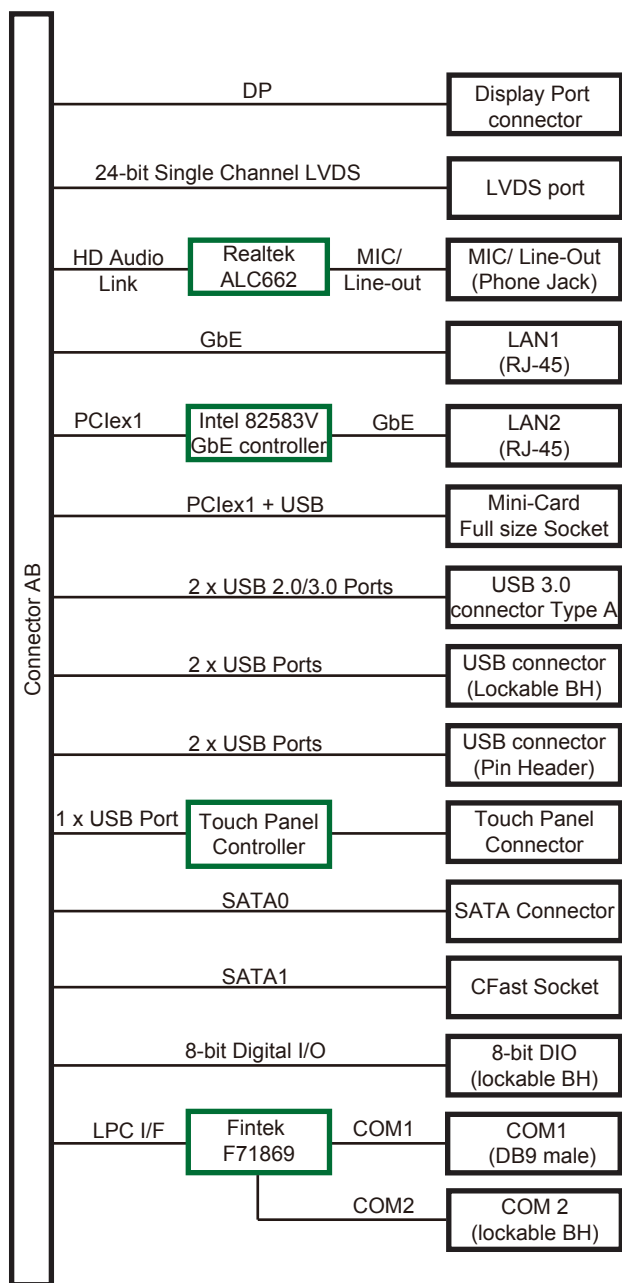
Power Requirement	DC 12V
Power Consumption	1.05A@12V with EmNANO-i2300-E3825 (Typical)
Operating Temp.	-40 ~ 85°C (-40 ~ 185°F)
Operating Humidity	10 ~ 95% @ 85°C (non-condensing)
Dimensions (L x W)	125 x 95 mm (4.9" x 3.7")

### Dimensions





## Block Diagram



### Ordering Information

PBN-9007 COM Express® Mini Type 10 carrier board

### Optional Accessories

CBK-05-9007-00

- Cable kit
- 1 x SATA cable
- 1 x SATA power cable
- 1 x Serial port cable
- 1 x USB cable
- 1 x PS/2 cable