



PRODUCT DATASHEET

RGBX series

last update 17/10/2012

DETAILS

Product Number	CP10944_RGBX-M
Family	RGBX
Type	Assembly
Color	black
Diameter	30,4 mm
Height	28,8 mm
Style	round
Optic Material	PMMA,PC
Holder Material	
Fastening	glue
Status	production ready
ROHS Compliant	Yes
Date Updated	17/10/2012



OPTICAL PROPERTIES

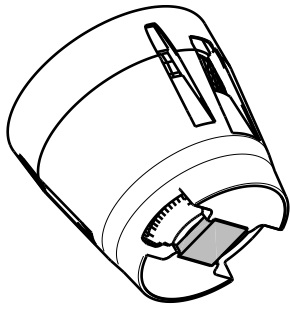
LED	Viewing Angle	Light Beam	Efficiency	cd/lm	Connector
MC-E RGB	26 deg	Medium	72 %	-	-

D

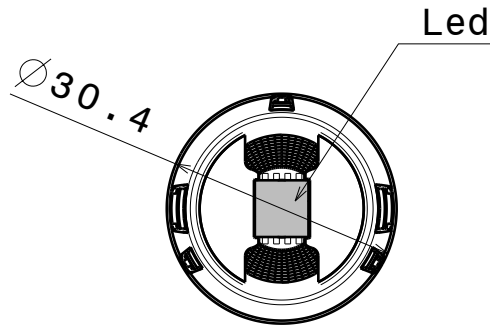
C

B

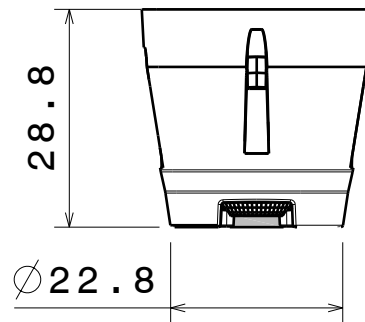
A



Isometric view

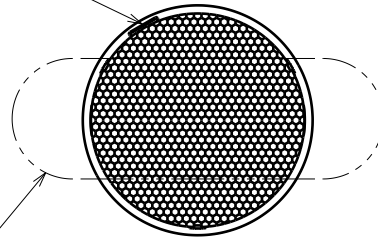


Bottom view



Front view

Note:
Sublens position guide



Top view

Materials:
Lens PMMA
Holder PC Black
Sublens PC

Beam direction in
Oval-version

This drawing is our property.
It can't be reproduced
or communicated without
our written agreement.



L T F F
e e i n
i n

DRAWING TITLE

Datasheet RGBX-MC Assy

DRAWN BY

DATE

p

15.11.2010

CHECKED BY

DATE

t

k

02.04.2009

DESIGNED BY

DATE

pv

02.04.2009

SIZE

A4

DRAWING NUMBER

REV

0.1

SCALE

1:1

WEIGHT (g)

SHEET

1/1

D

A

4

4

3

3

2

2

1

1

NOTE: The typical divergence will be changed by different color, chip size and chip position tolerance. The typical total divergence is the full angle measured where the luminous intensity is half of the peak value.