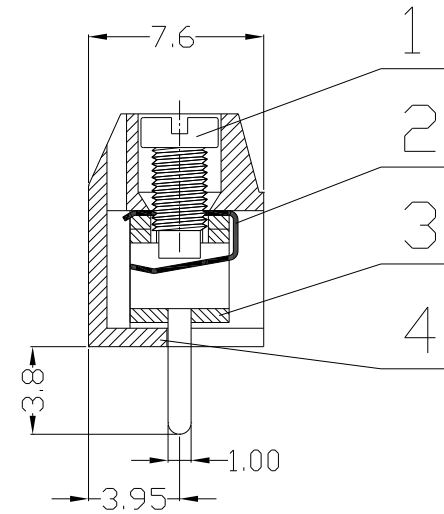
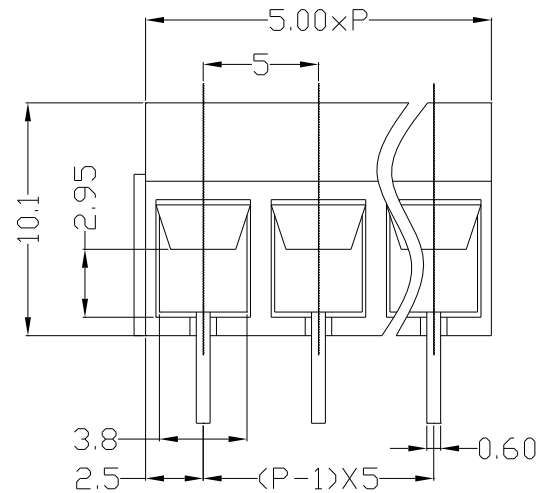


序号/RevNo.	名称/Title	文件编号/File No.
1	XY306螺丝	
2	XY301(一)簧片	
3	XY306端子	
4	XY306塑件	



250V 16A 1.5mm²

Poles: 2P&3P

Pitch: 5mm&10mm

Pin Dimension: 1X0.6mm

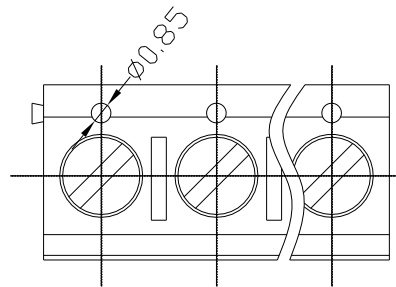
Materials

Housing: PBT(30% Glass filled)

Solder Pin: Brass, Tin Plated.

Screw: M2.6, Steel, Zinc Plated.

Wire Protector ϕ 0.2t, stainless steel.



设计/Designed by	绘图/Drawing by	审核/Checked by	批准/Approved by	未注公差 General Tolerance	
 XINYA ELECTRONIC CO.,LTD		图名/Title	文件编号/File No.	x. ±0.2	x." ±2°
		XY306V产品图	页序/Sheet	.x ±0.1	.x" ±1°
		备注/Remark		.xx ±0.05	.xx" ±0.5°
				.xxx ±0.01	
				单位/Units: mm	

序号/RevNo.	更改记录/Revision note	签名/Signature	日期/Date