

DETAILS

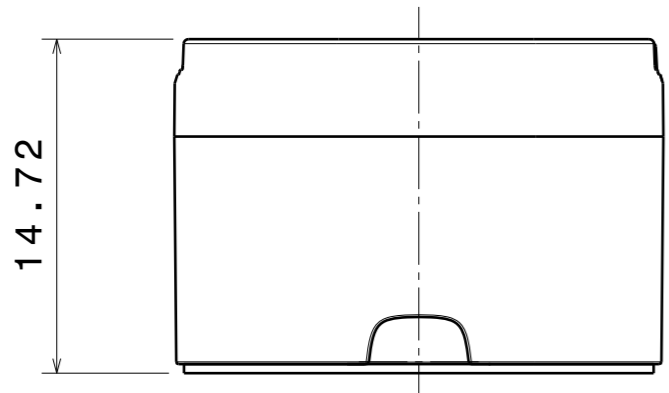
Product Number	FA11116_LXP-O-90
Family	Leila
Type	Assembly
Color	black
Diameter	21,6 mm
Height	14,7 mm
Style	round
Optic Material	PMMA
Holder Material	
Fastening	tape
Status	production ready
ROHS Compliant	Yes
Date Updated	4/02/2015



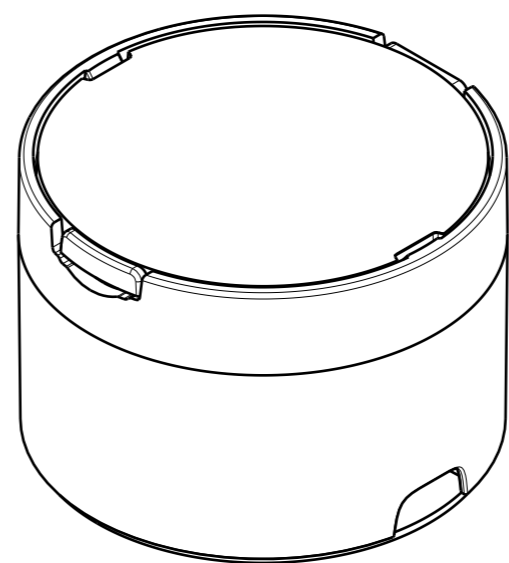
OPTICAL PROPERTIES

LED	Viewing	Light	Effi-		Connector
	Angle	Beam	ciency	cd/lm	
XP-E	41+10 deg	O-90	89 %	5.300	-
XP-G	41+13 deg	O-90	91 %	4.700	-
XP-E-HEW	13+37 deg	O-90	-	-	-
XT-E	41+13 deg	O-90	85 %	4.200	-
XP-G2	13+39 deg	O-90	86 %	4.500	-
XP-L HI	41+12 deg	O-90	86 %	4.600	-
XP-E	sim: 9+43	O-90	sim: 92 %	sim: 6.500	-
XP-E2	sim: 9+43	O-90	sim: 91 %	sim: 6.600	-
LH351A(3535)	41+11 deg	O-90	89 %	5.400	-
Z5	38+21 deg	O-90	-	-	-

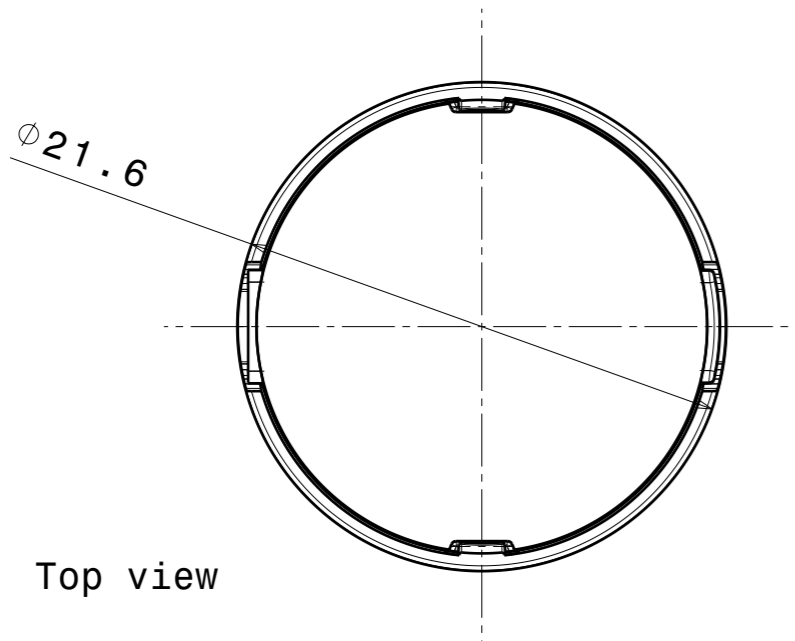
H G F E D C B A



Front view

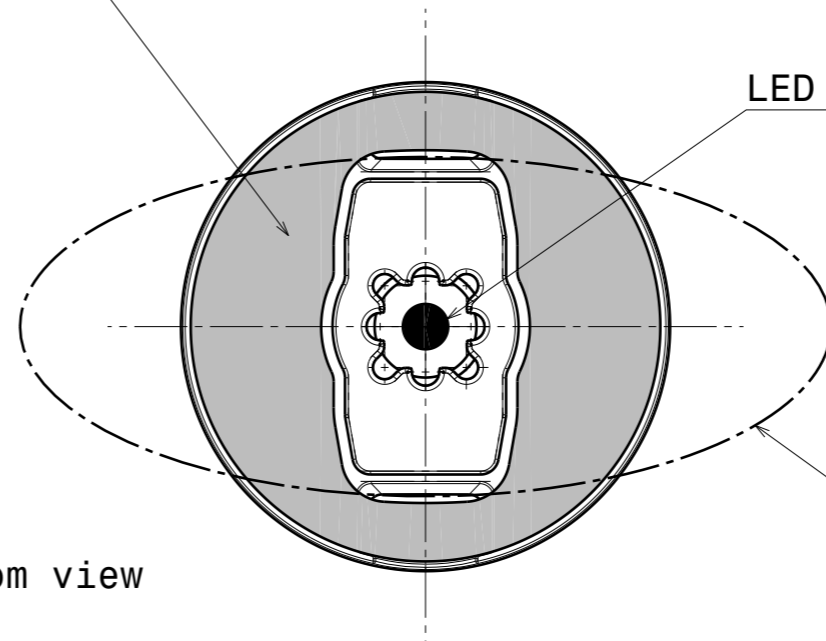


Isometric view



Top view

PU foam tape 0.4mm



Bottom view

LED position

0-beam direction
0-90 rotated 90 degrees

INDEX	DESCRIPTION	MATERIAL	COLOUR
1	Lens	PMMA	
2	Holder	PC	black

Tolerances if not otherwise shown
According to DIN ISO 2768-1
Linear measures:
up to 30mm class M, otherwise class C
According to DIN ISO 2768-2
Form and position: class L

LEDiL LediL Oy
Salorankatu 10
FIN 24240 SALO
Finland

THIRD ANGLE PROJECTION:

DRAWING TITLE
Datasheet_LXP-Series

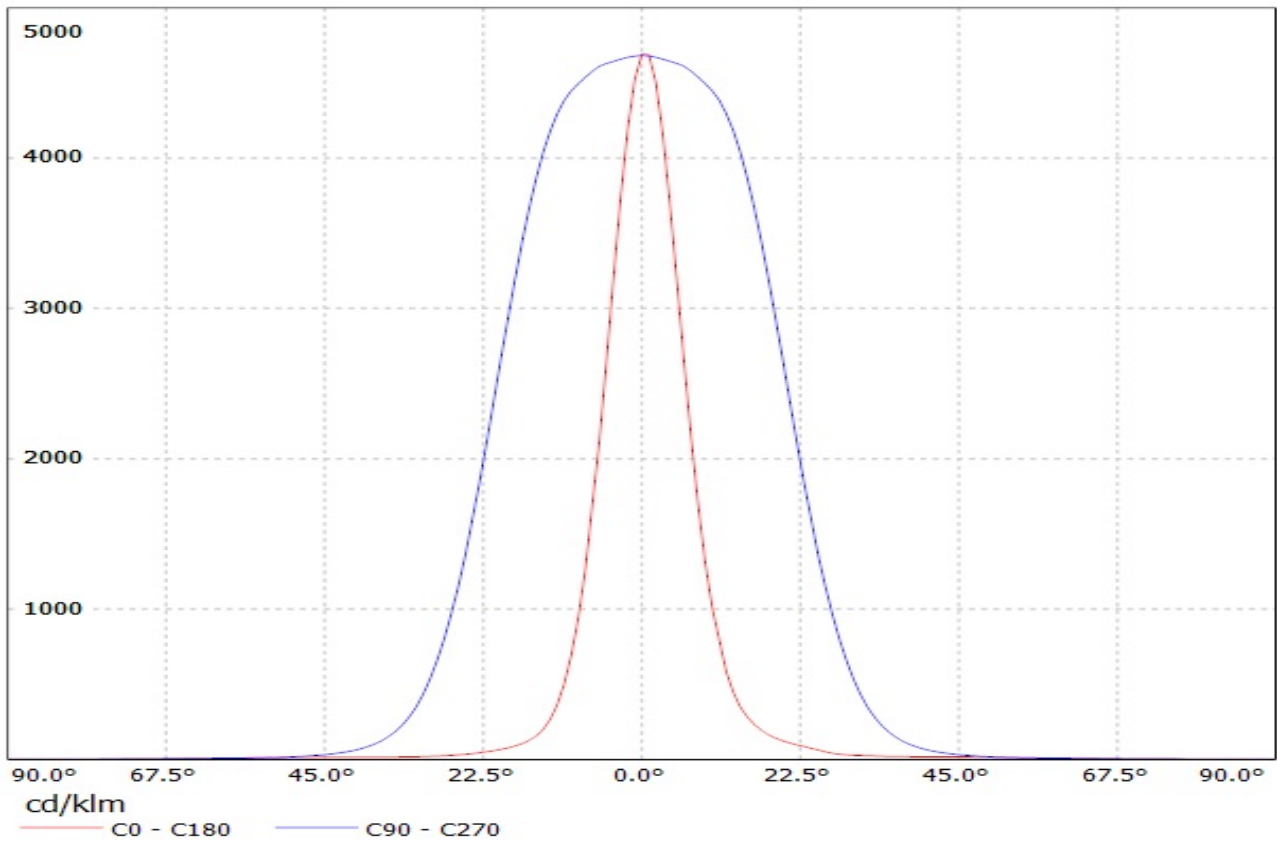
This drawing is the property of LEDiL Oy. It may not be reproduced, copied or communicated without a written agreement with LEDiL Oy.

SIZE A3 **PART NUMBER** -

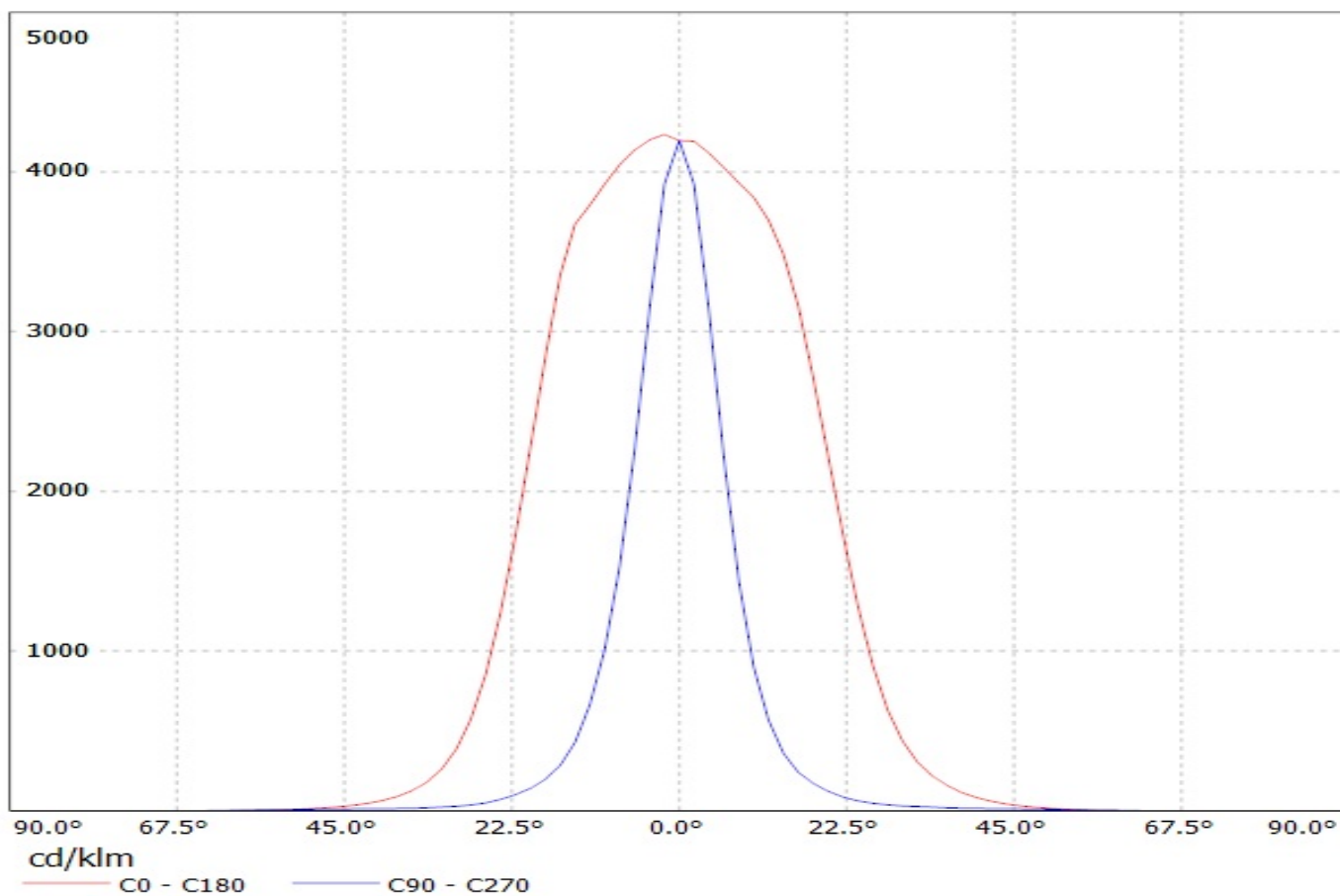
SCALE 1:1 **WEIGHT** - **SHEET** 1/1

H G F E D C B A

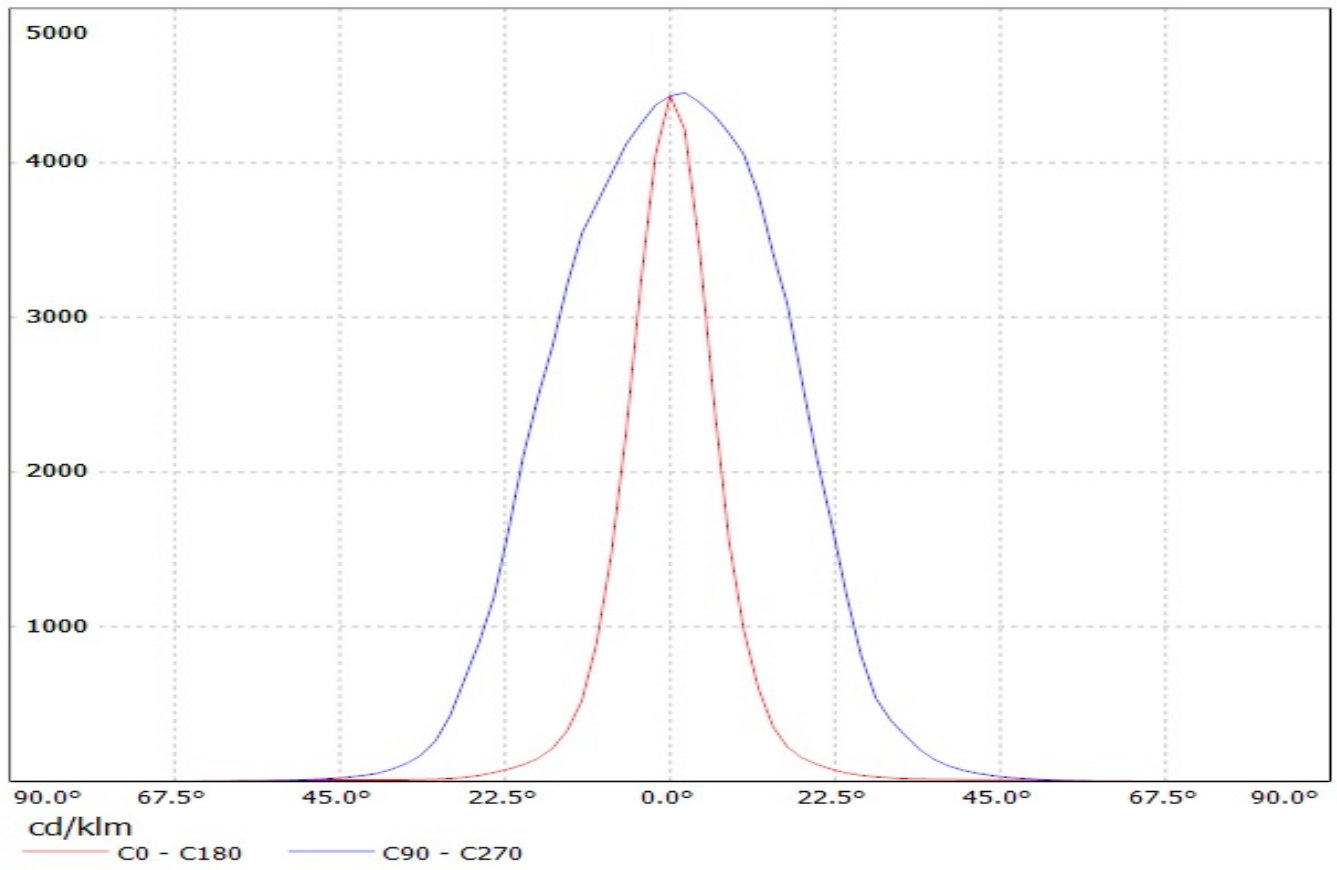
Luminaire: LEDIL OY FA11116-LXP-O-90 (XP-G) Efficiency=91%
Lamps: 1 x Cree XP-G (86lm@250mA)



Luminaire: Ledil Oy FA11116_LXP-O-90 (Cree XT-E 100lm @ 250mA) Efficiency=85%
Lamps: 1 x Cree XT-E 100lm @ 250mA



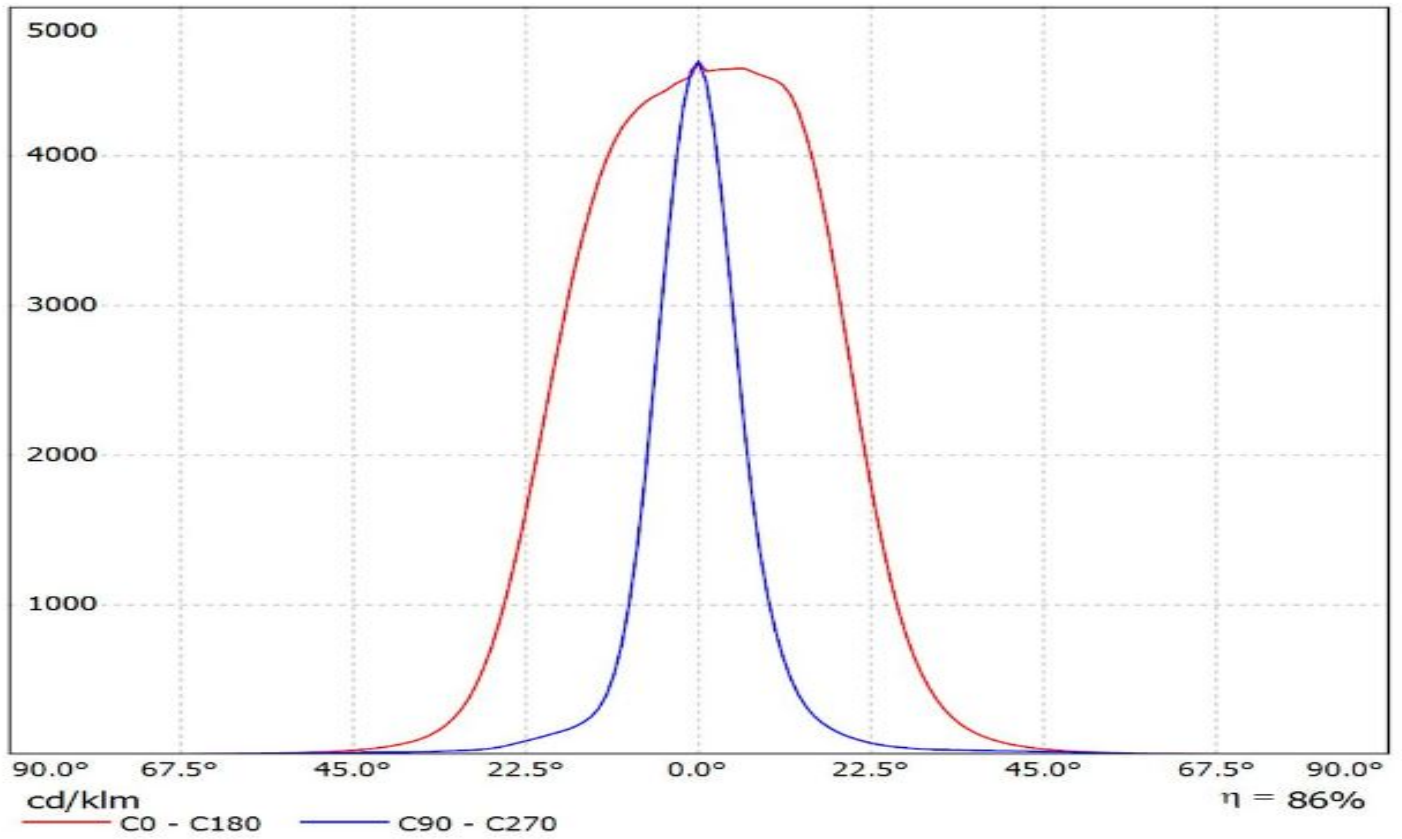
Luminaire: Ledil Oy FA11116_LXP-O-90_(XP-G2) Efficiency=86%
Lamps: 1 x Cree XP-G2 (104lm @ 250mA) CCT=6600K P=0.8W I=250mA



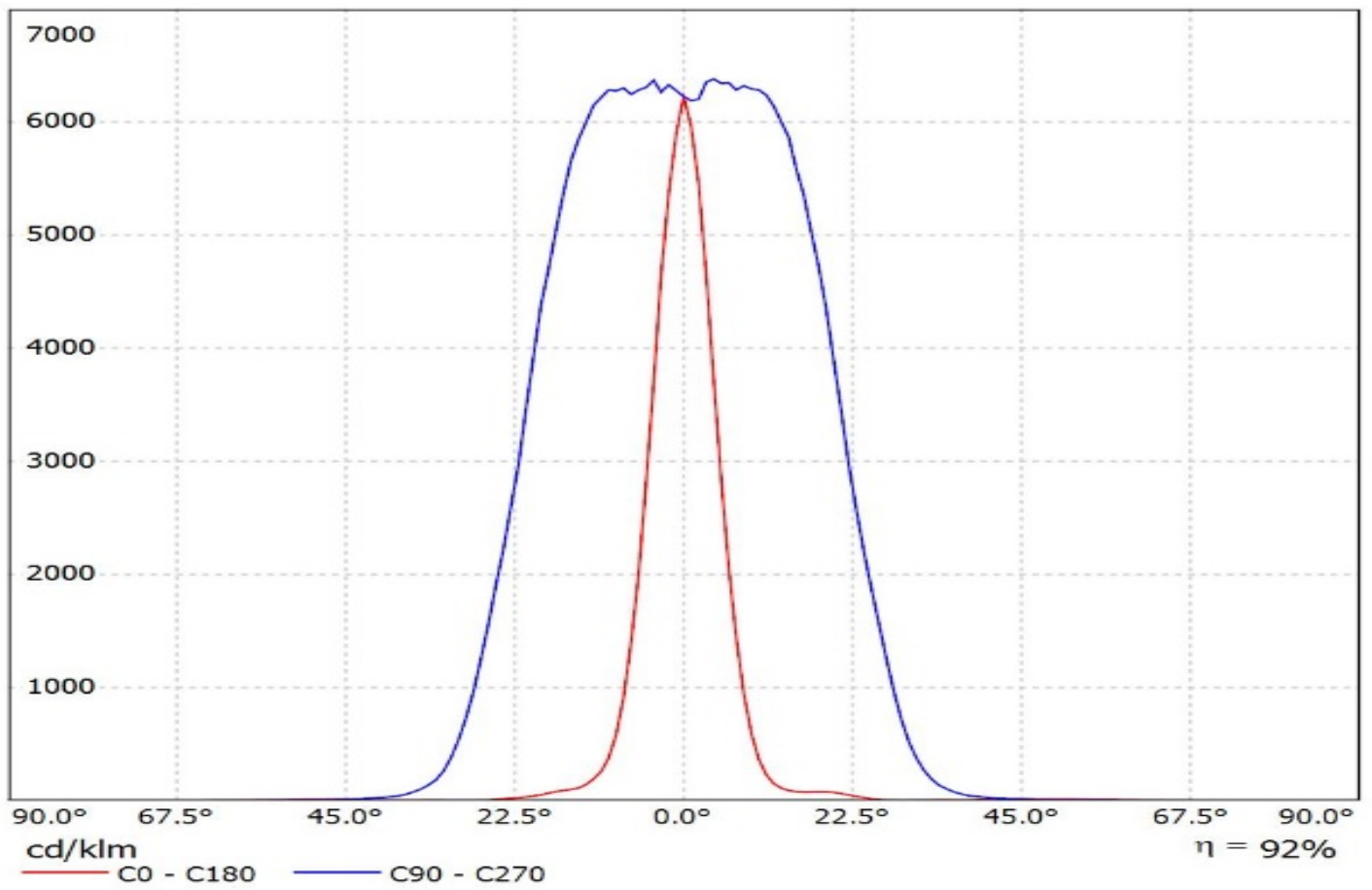
Ledil FA11116_LXP-O-90_(XP-L_HI) / LDC (Linear)

Luminaire: Ledil FA11116_LXP-O-90_(XP-L_HI)

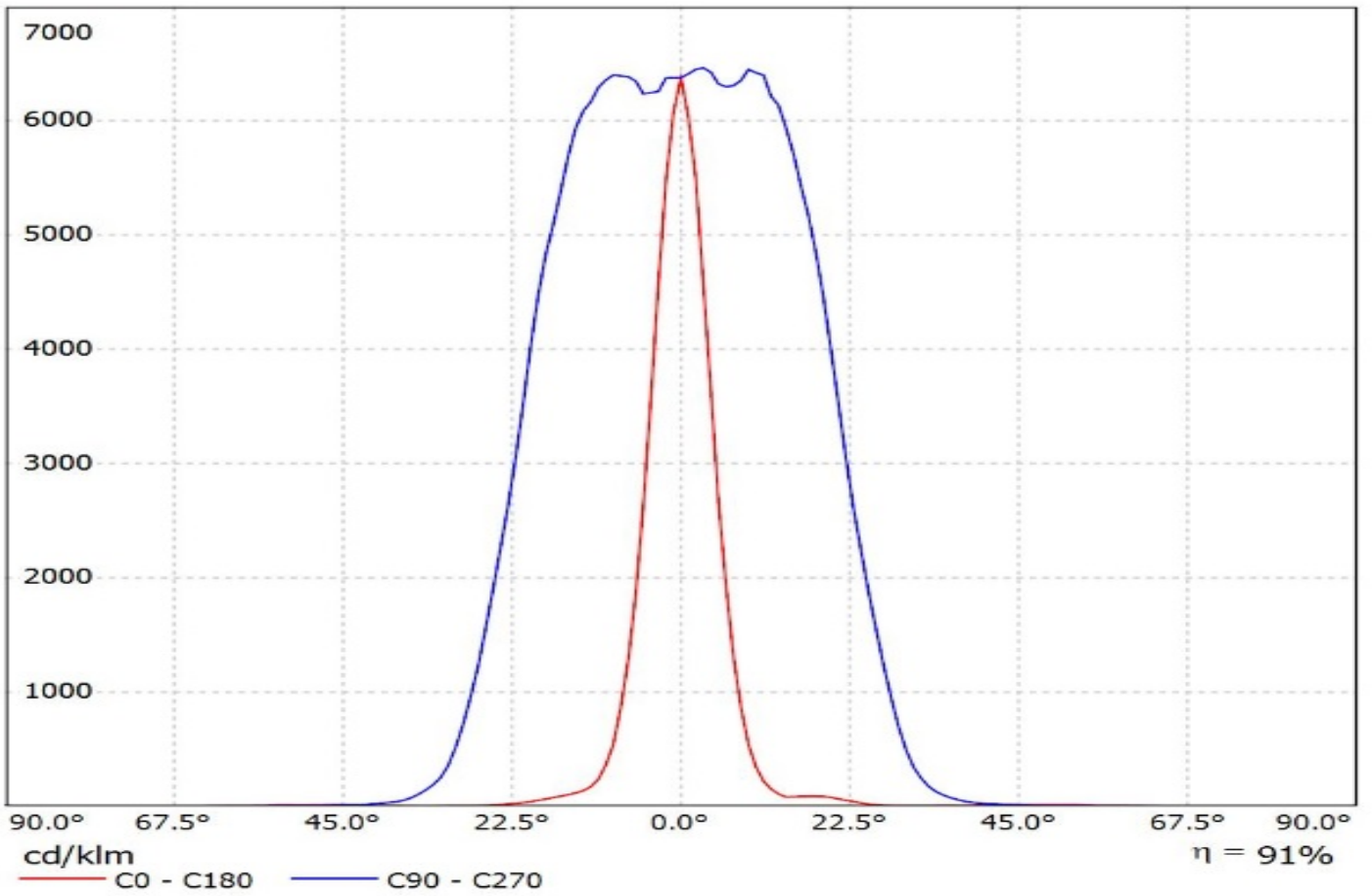
Lamps: 1 x CREE_XP-L_HI_116.971lm@250mA_P=0.75W_I=0.25A



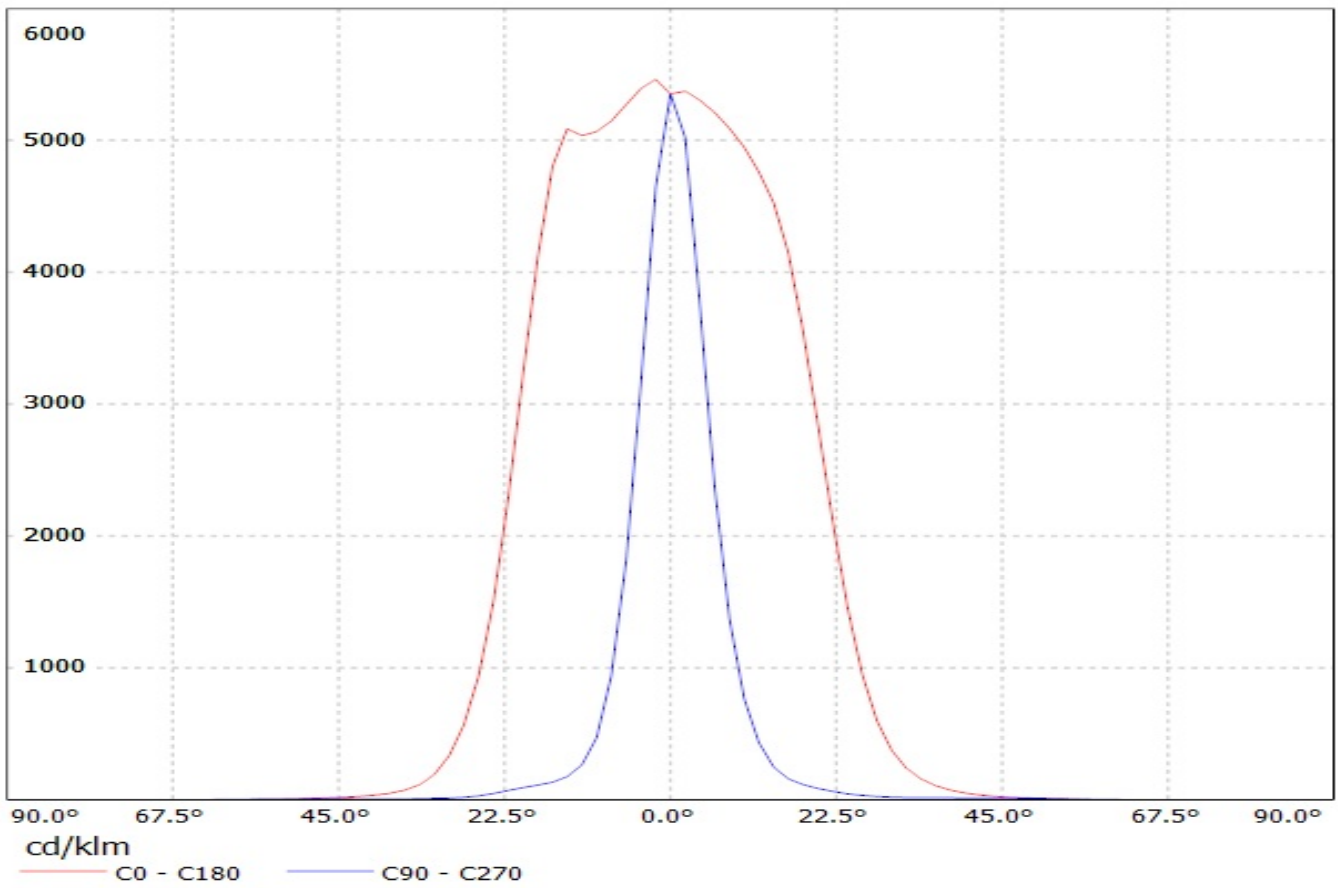
Luminaire: Ledil Oy FA11116_LXP-O-90_(XP-E)_SIMULATED
Lamps: 1 x Cree XP-E



Luminaire: Ledil Oy FA11116_LXP-O-90_(XP-E2)_SIMULATED
Lamps: 1 x Cree XP-E2

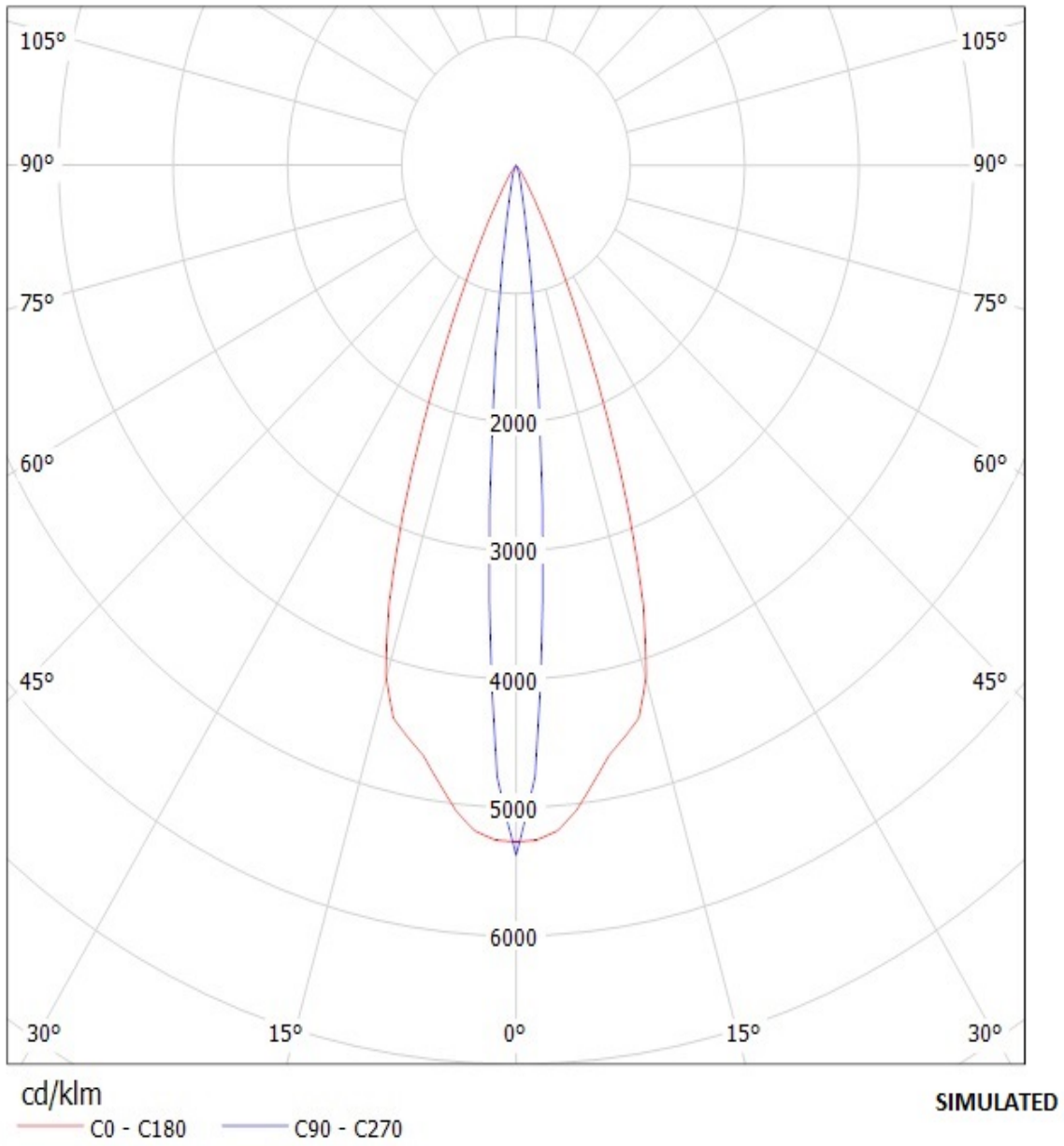


Luminaire: Ledil Oy FA11116_LXP-O-90 (Samsung LH351A 86lm @ 250mA) Efficiency=89%
Lamps: 1 x Samsung LH351A 86lm @ 250mA



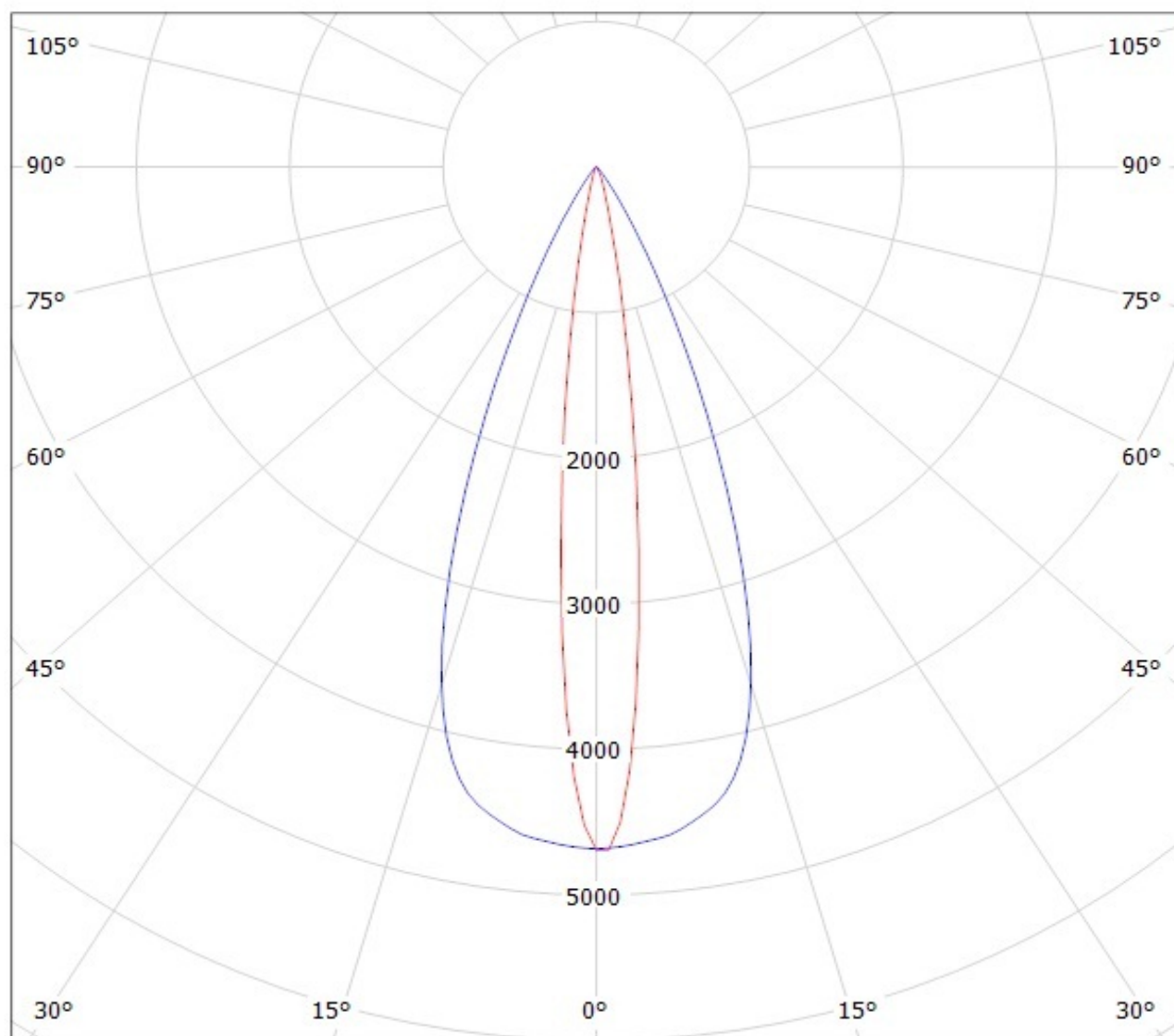
Ledil Oy FA11116_LXP-O-90 FA11116_LXP-O-90 Cree XP-E LOR=89% / LDC (Polar)

Luminaire: Ledil Oy FA11116_LXP-O-90 FA11116_LXP-O-90 Cree XP-E LOR=89%
Lamps: 1 x Cree XP-E



Luminaire: LEDIL OY FA11116-LXP-O-90 (XP-G) Efficiency=91%

Lamps: 1 x Cree XP-G (86lm@250mA)

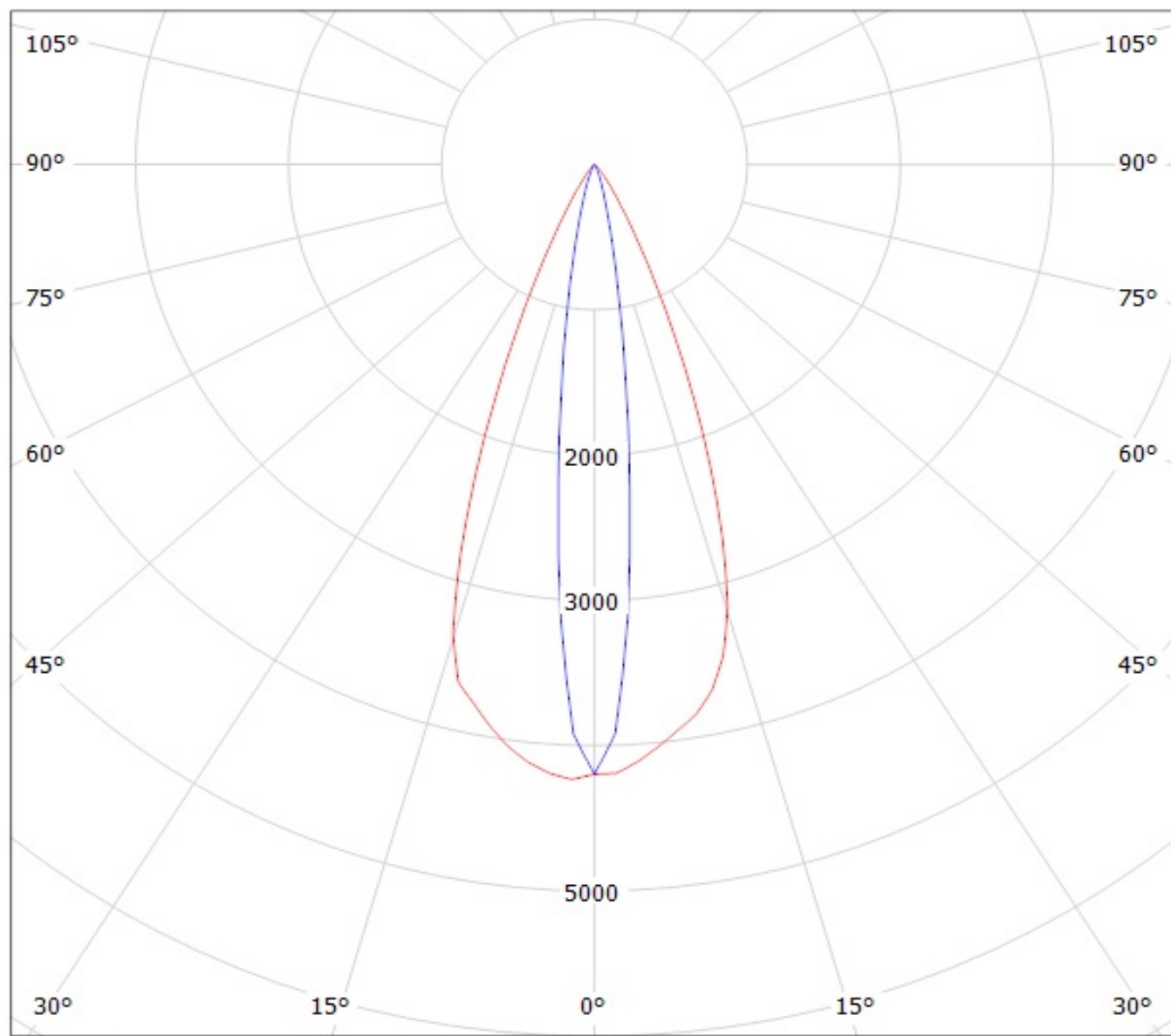


cd/klm

— C0 - C180

— C90 - C270

Luminaire: Ledil Oy FA11116_LXP-O-90 (Cree XT-E 100lm @ 250mA) Efficiency=85%
Lamps: 1 x Cree XT-E 100lm @ 250mA

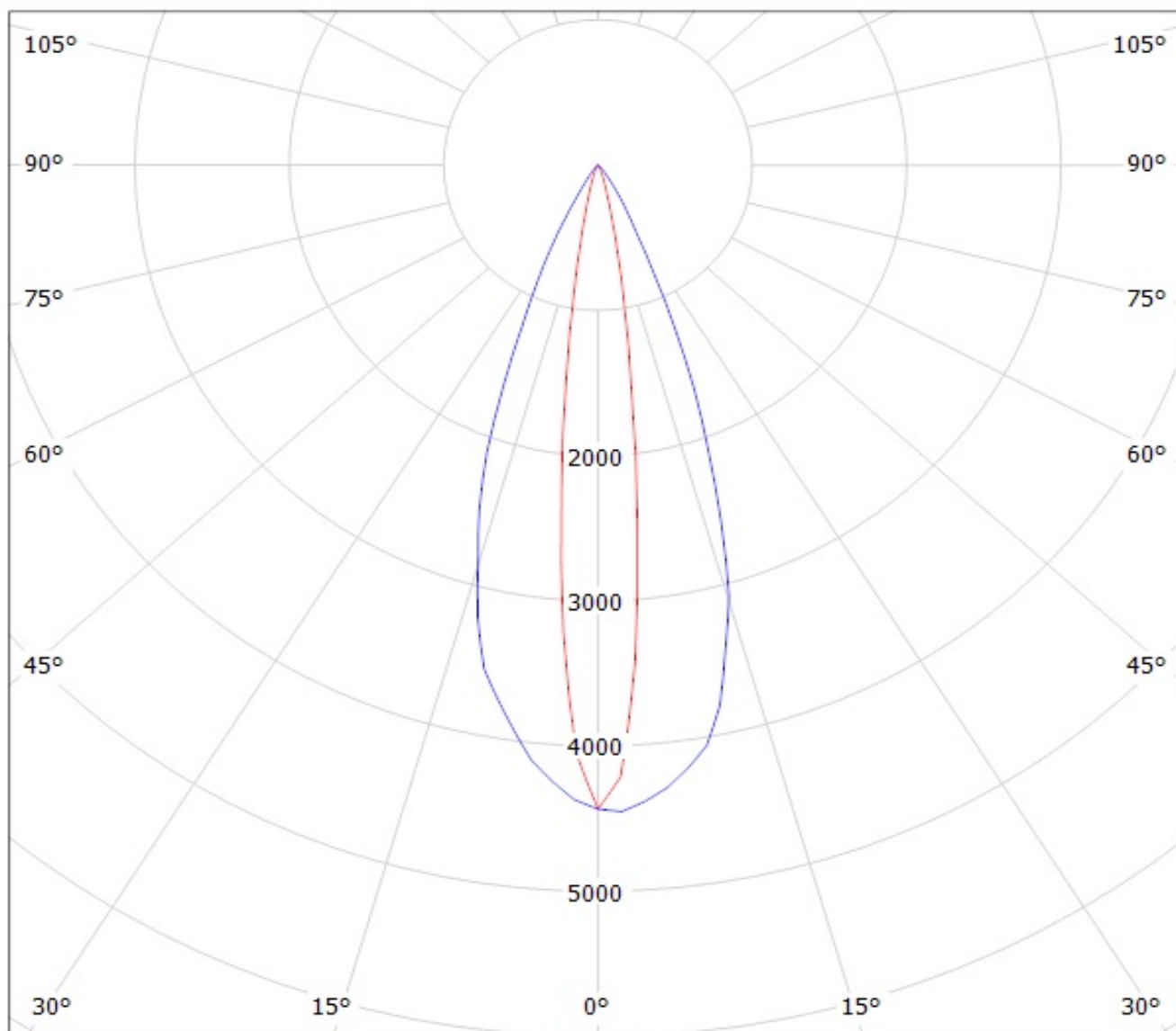


cd/klm

— C0 - C180

— C90 - C270

Luminaire: Ledil Oy FA11116_LXP-O-90_(XP-G2) Efficiency=86%
Lamps: 1 x Cree XP-G2 (104lm @ 250mA) CCT=6600K P=0.8W I=250mA



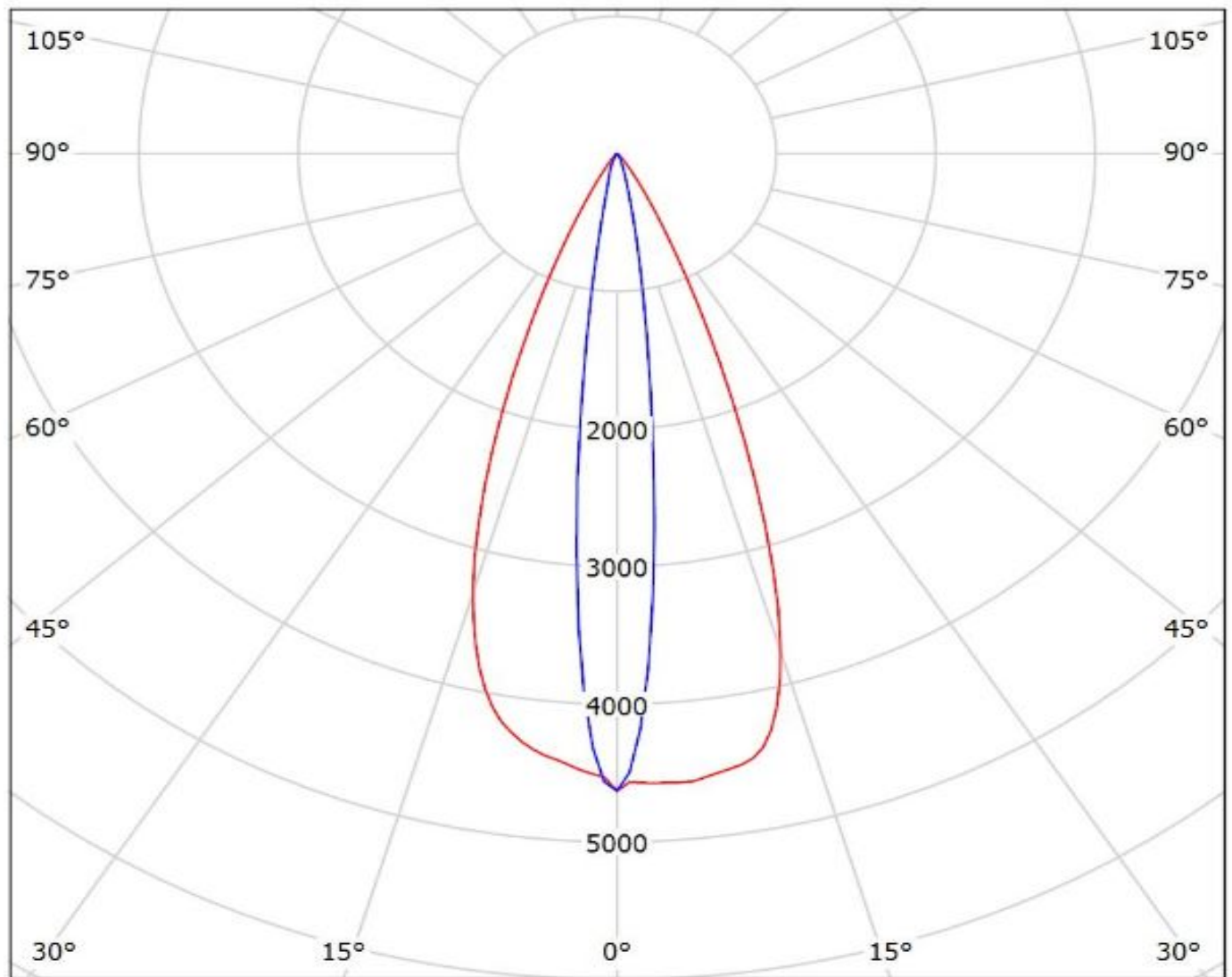
cd/klm

— C0 - C180 — C90 - C270

Ledil FA11116_LXP-O-90_(XP-L_HI) / LDC (Polar)

Luminaire: Ledil FA11116_LXP-O-90_(XP-L_HI)

Lamps: 1 x CREE_XP-L_HI_116.971lm@250mA_P=0.75W_I=0.25A

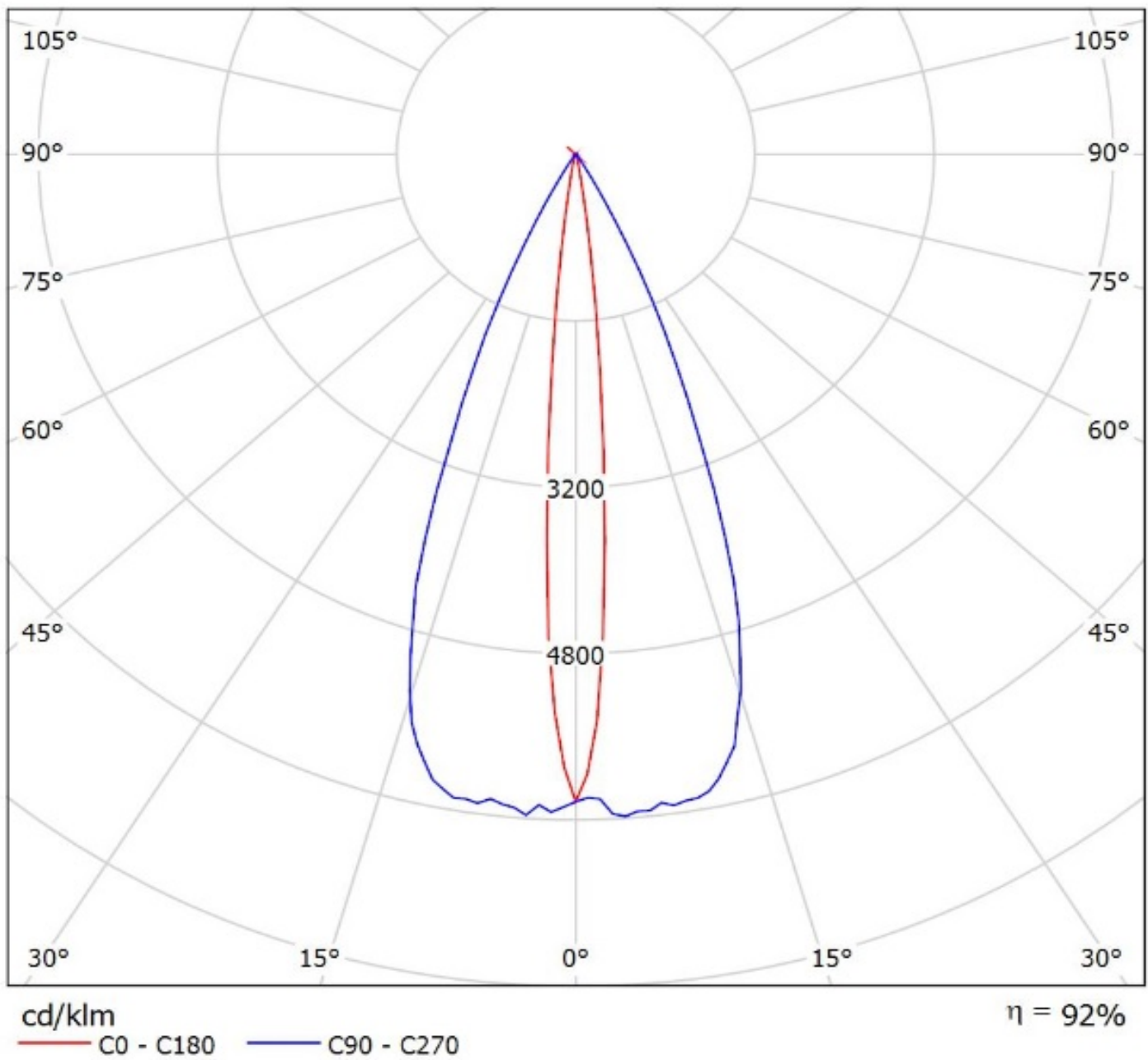


cd/klm

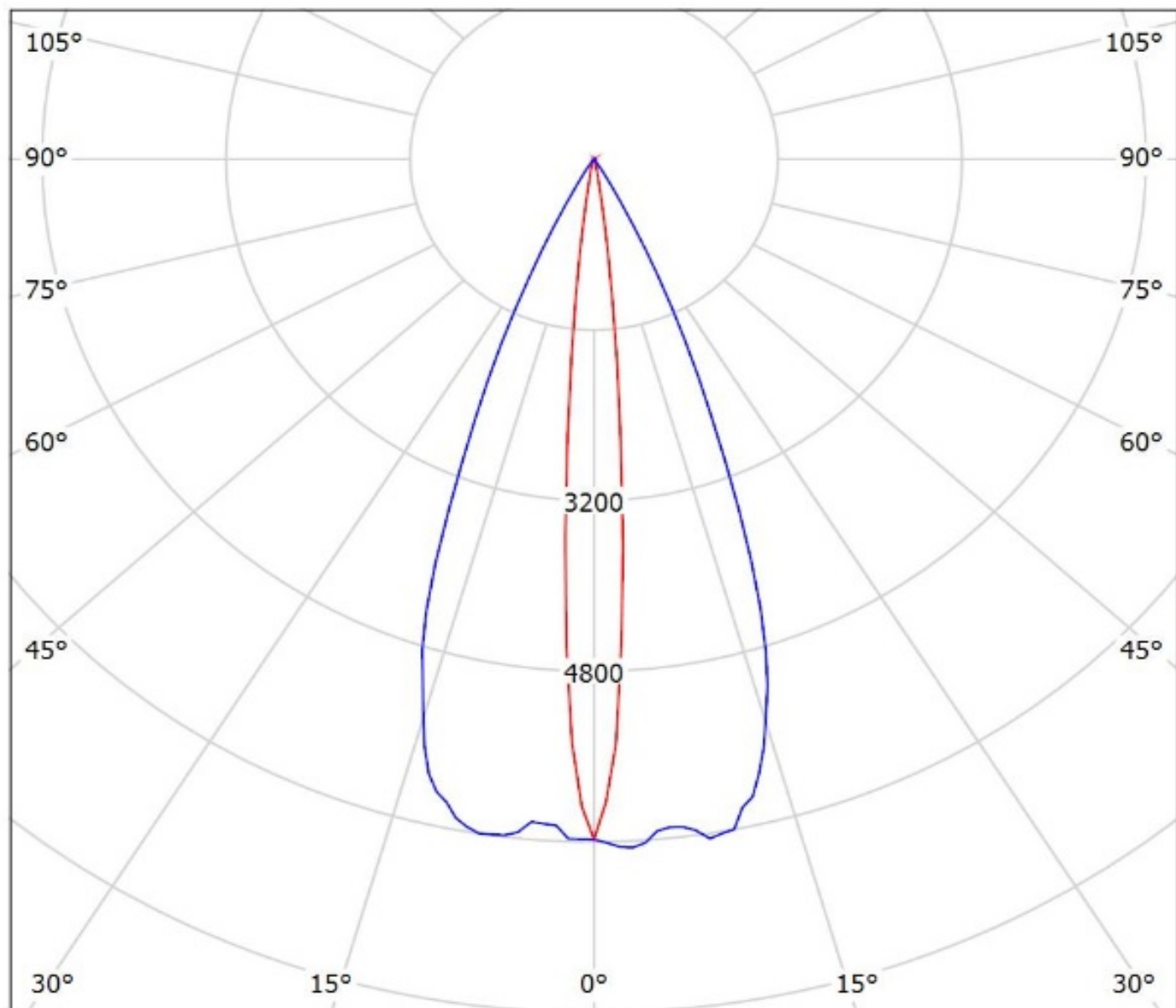
— C0 - C180

— C90 - C270

Luminaire: Ledil Oy FA11116_LXP-O-90_(XP-E)_SIMULATED
Lamps: 1 x Cree XP-E



Luminaire: Ledil Oy FA11116_LXP-O-90_(XP-E2)_SIMULATED
Lamps: 1 x Cree XP-E2

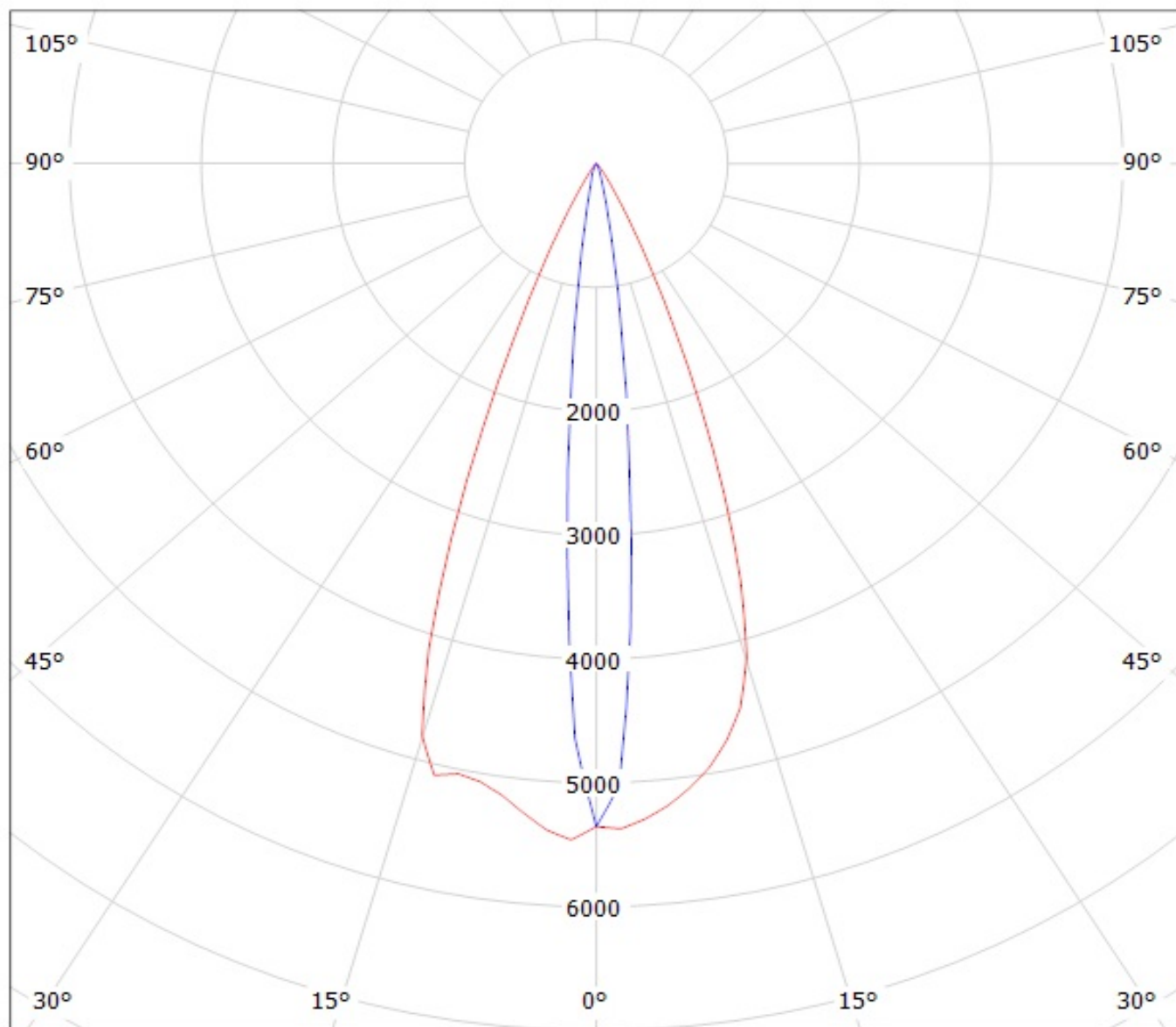


cd/klm

— C0 - C180 — C90 - C270

$\eta = 91\%$

Luminaire: Ledil Oy FA11116_LXP-O-90 (Samsung LH351A 86lm @ 250mA) Efficiency=89%
Lamps: 1 x Samsung LH351A 86lm @ 250mA



cd/klm

— C0 - C180

— C90 - C270

NOTE: The typical divergence will be changed by different color, chip size and chip position tolerance. The typical total divergence is the full angle measured where the luminous intensity is half of the peak value.