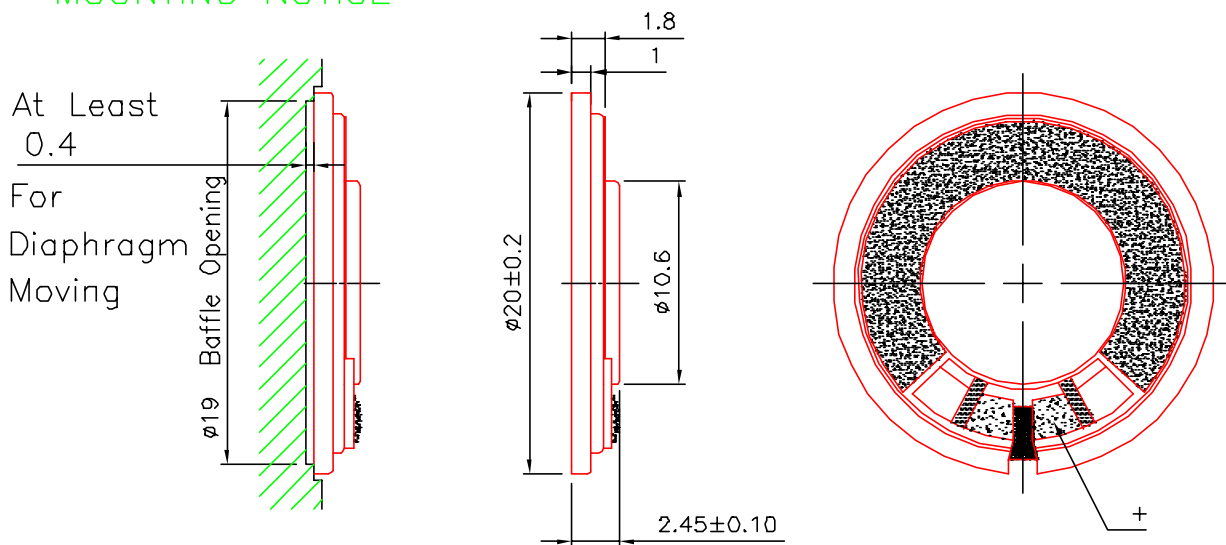


| | | | | | | | |
|-----|---|--|---------------------|-------------|------------------------------|-----------------------------|------------------------|
| 1. | MODEL: | 20CR08FL -M25ND(Black Mylar)-M25NT(Clear Mylar) | | | | | |
| 2. | Dimension | Outer Diameter | 20 | mm. | Baffle Opening | 19.1 | mm. |
| | | Height | Refer to Drawing . | | Weight | 2.1 | Grams. |
| 3. | Magnet | Materials | Rare Earth . | | Size | ϕ 8.0 X 0.7 mm. | |
| 4. | Nominal Impedance | 08 | \pm | 15 | % | At | 1200 Hz. |
| 5. | Power Rating | Normal | 300 | mW. | Maximum | 500 mW. | |
| 6. | Lowest Resonant Frequency | 490 | \pm | 20 | | % | Hz. |
| 7. | Output Sound Pressure Level (S.P.L.) | 76 | \pm | 3 | db / 0.3 Watt . | 0.5 Meter. | |
| | | Average at | | | 800, 1000, 1200, 1500 | Hz. | |
| 8. | Frequency Range | 400 | ~ | 6000 | | Hz. | Average S P L - 10 db. |
| 9. | Distortion | 5 | % | Maximum At | 1000 | Hz. | 300 mW. |
| 10. | Abnormal Sound Test | Must Be Normal Test By | | | 1.6 | Volts. | Sine Wave. |
| 11. | Load Test | White Noise With Weighted Filter | | | 1.6 | Volts.(RMS) | 24 Hrs. |
| 12. | Polarity | Diaphragm shall move Forward when Apply a Positive DC. | | | | | |
| | | Current to the "+" or "Marked" Terminal. | | | | | |

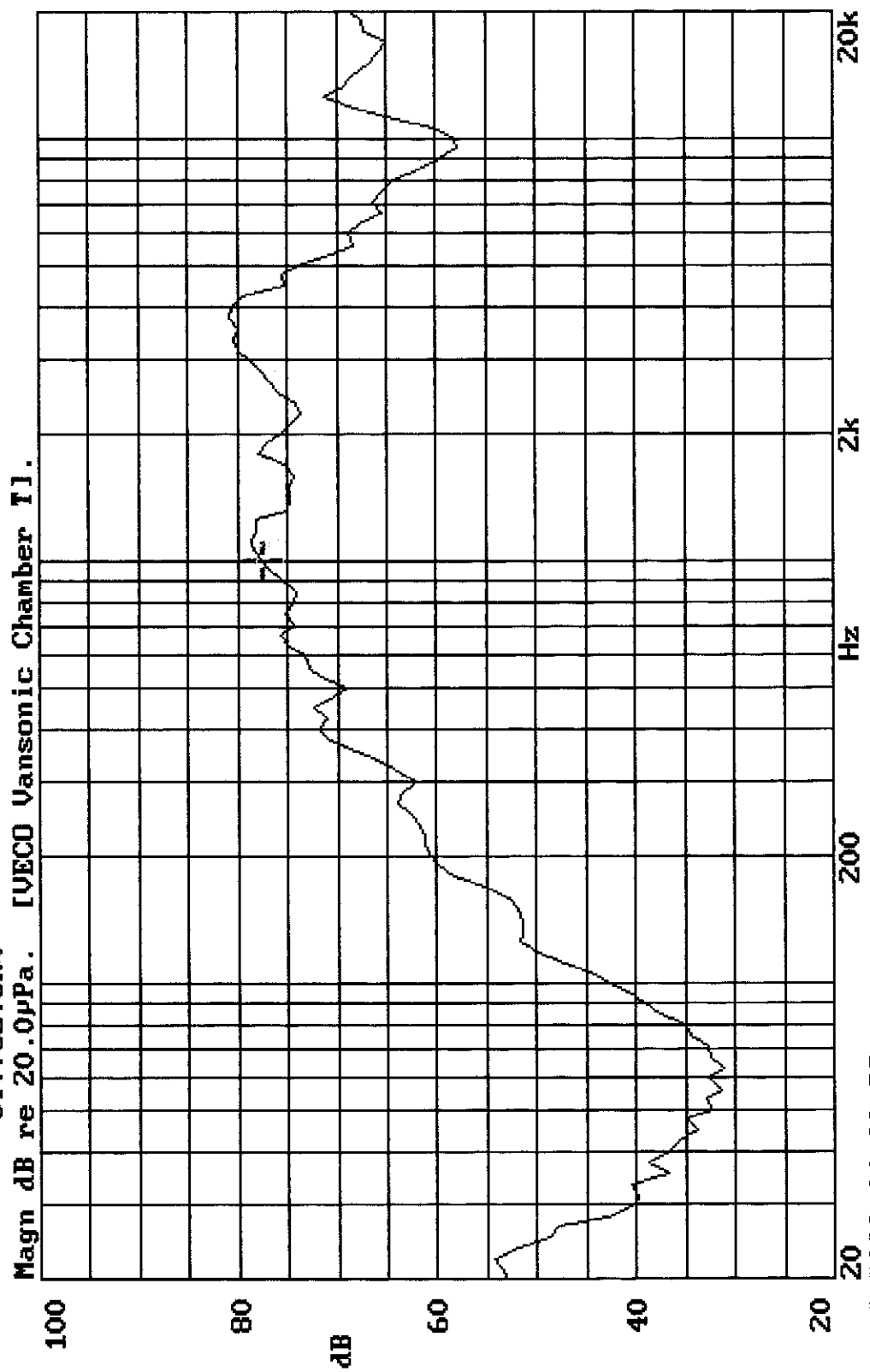
MOUNTING NOTICE



Unit : mm

Housing Material : METAL

20CRO8FL-M25NT VOL:1.549V(0.3W) DIS:0.5M VANSONIC
X:1.0000kHz *Y:77.53dB ZA:1.0000 SSR Fund.
CY:752.3k% IVECO Vansonic Chamber T1.



28-DEC-2000 14:06:22

Mode: Distortion