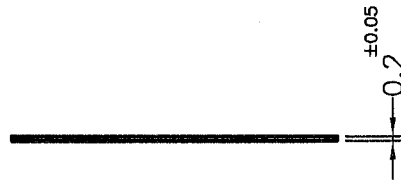
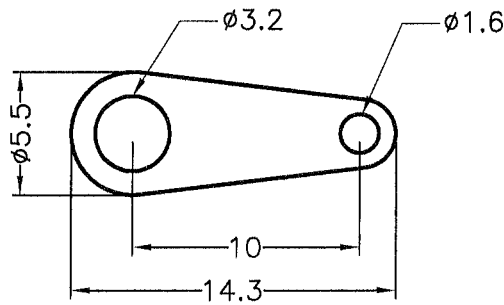

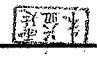
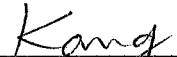


REVISIONS			
REV	DESCRIPTION	DATE	BY



符合歐盟ROHS規範 (RoHS Compliant)	
★鉛Pb	<1000PPM
★鎘Cd	< 100PPM
★汞Hg	<1000PPM
★六價鉻Cr6+	<1000PPM
★多溴聯苯類PBBs	<1000PPM
★多溴聯苯醚類PBDEs	<1000PPM



 <p>康揚企業股份有限公司 KANG YANG HARDWARE ENTERPRISE CO., LTD. 康揚塑膠(東莞)有限公司 KANG YANG PLASTIC(DONG GUAN) CO.,LTD. 康哲電腦配件(吳江)有限公司 KANG CHE COMPUTER COMPONENTS(WUJIANG) CO.,LTD.</p>				TITLE	GROUND TERMINAL	SPEC. DWG.	
				MATERIAL	BRASS	DATE	2007.06.05
				FINISH	NICKEL PLATED	DRAWN	JOHNNY
				COLOR		CHECK	
PART NUMBER	GND-1	DRAWING NUMBER	GND-1	UNLESS OTHERWISE SPECIFIED TOLERANCE	± 0.2	APPROVED	
SIZE	A4	SCALE	NONE	UNIT	mm	REV	A