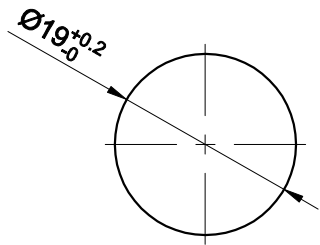
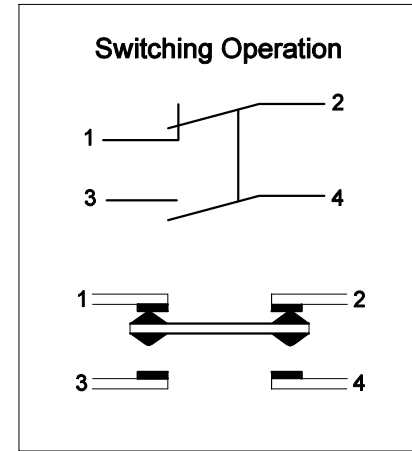
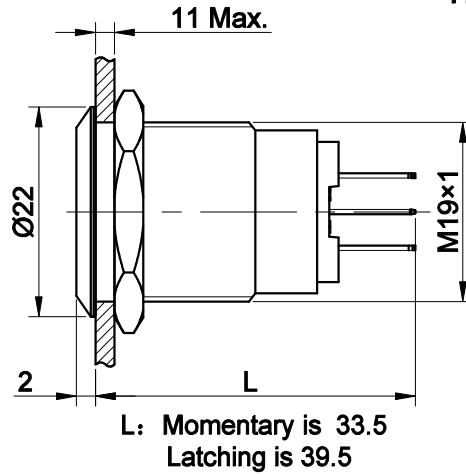
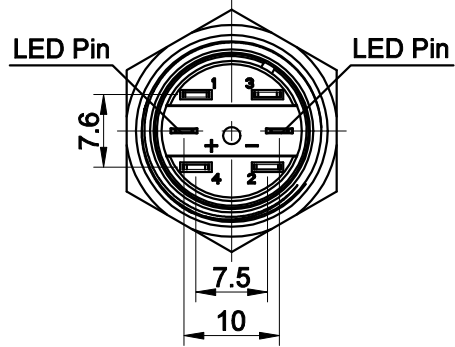


FOR  
客户名称

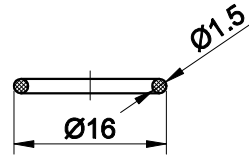
APPROVED  
客户确认签字

ATTN  
销售负责人

The shaded part is illuminated



PANEL CUTOUT  
MAX.PANEL THICKNESS  
11 mm



Seal Ring

Part Number: LAS1GQ-11 ■ E / △ / ▲ / ◎

"■"	Operation mode
No Letter	Momentary
Z	Latching

"△"	Lamp Color
R	Red
G	Green
Y	Yellow
B	Blue
W	White

"▲"	Lamp voltage
6V	AC/DC 6V
12V	AC/DC 12V
24V	AC/DC 24V
110V	AC/DC 110V
220V	AC/DC 220V
Other voltage can be made to order	

"◎"	Crust material
S	Stainless steel
A	Al alloy(black)

**SPECIFICATIONS:**

- 1.Switch Rating: AC220V/2A, DC220V/0.1A.
- 2.Mechanical Life: ≥1,000,000cycles.
- 3.Electrical Life: ≥50,000cycles.
- 4.Contact Resistance: ≤50mΩ.
- 5.Insulation Resistance: ≥1,000MΩ.
- 6.Dielectric Strength: 1,500V, RMS 50Hz, 1min.
- 7.Operating Temperature: -25°C~ +55°C(No Freezing).
- 8.Operating Force: About 4N(IP65), About 5N(IP67).
- 9.Operating Travel: About 2.5mm.
- 10.Torque: About 0.8Nm max.applied to nut.
- 11.IP Class: IP65,IP67(Momentary can made to order).
- 12.Terminal Type: Pin Terminal(2.8 x 0.5mm).

**MATERIALS:**

- 1.Contact: Silver alloy.
- 2.Button: ◎.
- 3.Body: ◎.
- 4.Base: PC.

<b>BRAND</b> 品牌 <b>ONPOW</b>	<b>红波按钮制造有限公司</b> ONPOW PUSH BUTTON MANUFACTURE CO.,LTD.	
	USED 用途 FINISH 处理 SCALE 比例 1.2 / 1 UNIT 单位 mm	APPD 审核 CH 2019/07/05 CHKD 校对 NCH 2019/07/05 DR. 制图 ZPD 2019/07/05
DIMENSIONS 0.00 TO 18.00mm ±0.43mm 18.01 TO 30.00mm ±0.52mm 30.01 TO 50.00mm ±0.62mm 50.01 TO 80.00mm ±0.74mm	TITLE 名称 Anti-vandal push button DWG NO. 图号 LAS1GQ-11E (2018)	SIZE 图纸 A4
FILE NAME 档案名称 LAS1GQ-11E.DWG	SHEET 张 1 / 1	REV. 更改 1