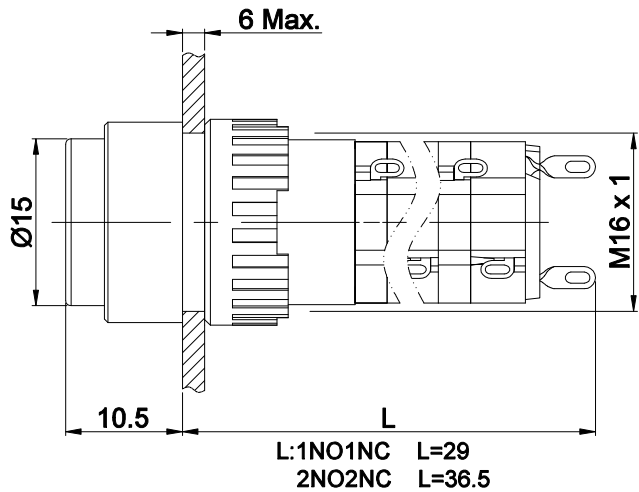
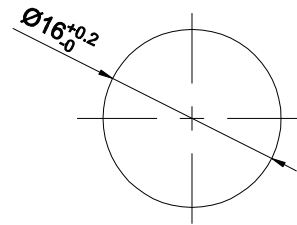
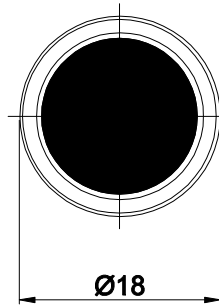


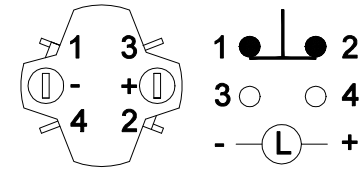
FOR 客户名称	APPROVED 客户确认签字	ATTN 销售负责人



The shaded part is illuminated



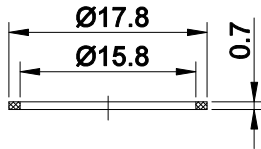
PANEL CUTOUT



Contact Composition

1, 2, 3, 4 are one set;
1,2 are normal closed(NC);
3,4 are normal opened(NO).

Part Number: LAS1Y-□■/△/▲/◎



Seal Ring

□	Contact structure	■	Operation mode	△	Cap or Lamp Color	▲	Lamp Voltage	◎	IP class
11	1NO1NC	No Letter	Momentary	R	Red	6V	AC/DC 6V	No Letter	IP40
22	2NO2NC	Z	Latching	G	Green	12V	AC/DC 12V	FP	IP67
				Y	Yellow	24V	AC/DC 24V		
				B	Blue	110V	AC/DC 110V (External resistor)		
				W	White	220V	AC/DC 220V (External resistor)		
							Other voltage can be made to order		

SPECIFICATIONS:

- Switch Rating: AC220V/2A, DC220V/0.1A.
- Mechanical Life: Momentary ≥1,000,000cycles
Latching ≥500,000cycles.
- Electrical Life: ≥50,000cycles.
- Contact Resistance: ≤50mΩ.
- Insulation Resistance: ≥100MΩ.
- Dielectric Strength:
Between contact and lamp terminals: AC 2,000V, RMS 50Hz, 1min;
Between terminals of the same pole: AC 1,500V, RMS 50Hz, 1min;
Between terminals of different pole: AC 2,000V, RMS 50Hz, 1min.
- Operating Temperature: -25°C ~ +55°C (No Freezing).
- Operating Force: About 2N.
- Terminal Type: Pin Terminal (1.8 x 0.4mm), LED Pin (1.8 x 0.3mm).
- IP Class: IP40, IP67 (with a seal cover).

MATERIALS:

- Contact: Silver alloy.
- Button: PC.
- Body: PC.
- Base: UF.

BRAND 品牌	ONPOW 欧宝龙	红波按钮制造有限公司 ONPOW PUSH BUTTON MANUFACTURE CO.,LTD.		
USED 用途	APPD 审核	CH	2020/04/29	
FINISH 处理	CHKD 校对	NCH	2020/04/29	
SCALE 比例	1.5 / 1	UNIT 单位	mm	DR. 制图
				ZPD 2020/04/29
DIMENSIONS		TOLERANCE		
0.00 TO 3.00mm		±0.25mm		
3.01 TO 6.00mm		±0.30mm		
6.01 TO 10.00mm		±0.36mm		
10.01 TO 18.00mm		±0.43mm		
18.01 TO 30.00mm		±0.52mm		
30.01 TO 50.00mm		±0.62mm		
50.01 TO 80.00mm		±0.74mm		
Government standard: GB/T 1800.1-2009; Grade of tolerance: IT14.				
TITLE 名称	LAS1 Series pushbutton switch			
DWG NO. 图号	LAS1Y带灯			SIZE 图纸
				A4
FILE NAME 档案名称	LAS1Y.DWG	SHEET 张	1 / 1	REV. 更改
				1