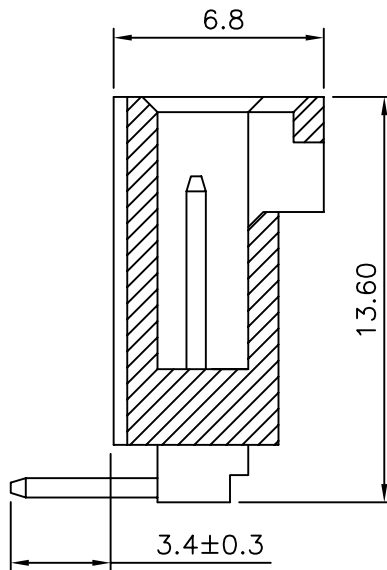


Recommad PCB Layout



■ SPECIFICATIONS

- Voltage Rating : 250 V AC/DC
- Current Rating : 3A AC/DC
- Withstanding Voltage : 1,000V AC/minute
- Insulation Resistance : 1,000MΩ min
- Temperature Range : - 25°C to + 85°C
- Contact Resistance : 20mΩ max

■ WAFER

- Part No. : JS-1143R-XXX (Right Angle)
JS-1143R-XX : GP Produces
JS-1143R-0XX : Non GP Produces
- Poles : 2 - 18
- Material : Contact : Brass, Gold Plated
Base : PBT UL94V-0
- Q' ty : 1,000 pcs./Bag

Poles	Part No.	Dimensions(mm)	
		A	B
2	JS-1143R-02	2.54	5.59
3	JS-1143R-03	5.08	8.13
4	JS-1143R-04	7.62	10.67
5	JS-1143R-05	10.12	13.21
6	JS-1143R-06	12.70	15.75
7	JS-1143R-07	15.24	18.29
8	JS-1143R-08	17.78	20.83
9	JS-1143R-09	20.32	23.37
10	JS-1143R-10	22.86	25.91
11	JS-1143R-11	25.40	28.45
12	JS-1143R-12	27.94	30.99
13	JS-1143R-13	30.48	33.53
14	JS-1143R-14	33.02	36.07
15	JS-1143R-15	35.56	38.61
16	JS-1143R-16	38.10	41.69
17	JS-1143R-17	40.64	43.69
18	JS-1143R-18	43.18	46.23



喬訊電子工業股份有限公司
CHYAO SHIUNN
ELECTRONIC INDUSTRIAL LTD.

PART NO JS-1143R-XX
2.54mm Crimp Style Connectors Wafer

APPROVED BY	SCALE	UNIT	TOLERANCE	LTR	REVISION RECORD	DATE
林陳樂	4:1	mm	.0 ±0.3			
CHECKED BY	PROJ	VER NO.	TOLERANCE			
林勇生		a	.00 ±0.2			
DRAWN BY	DATE	SIZE	TOLERANCE			
邱森鴻	2004/12/31	A4	.000 ±0.1			
			ANGLE			
			0° ±			
			.0° ±			