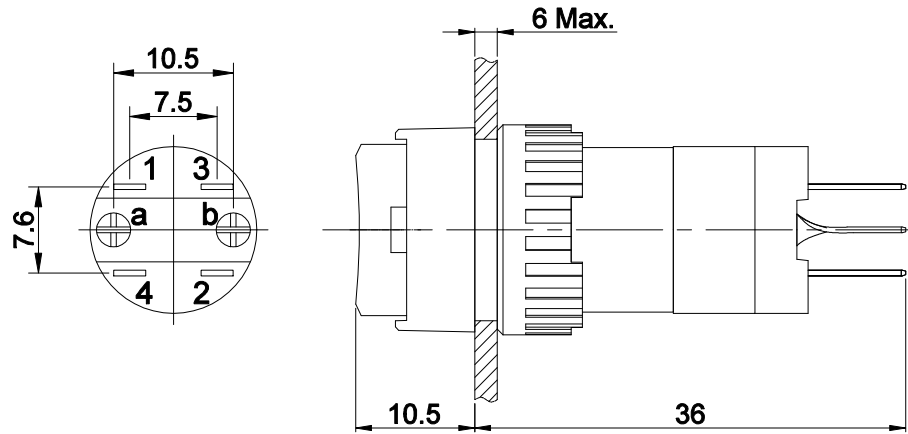
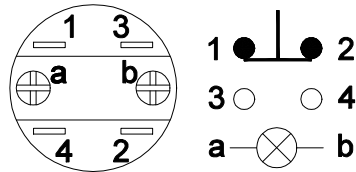
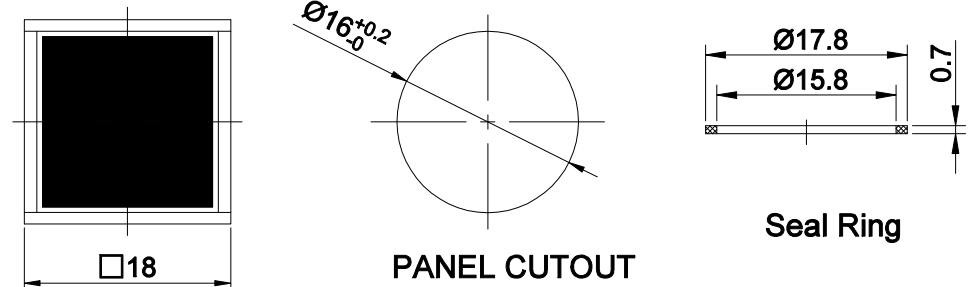


FOR 客户名称	APPROVED 客户确认签字	ATTN 销售负责人



The shaded part is illuminated



Contact Composition

1, 2, 3, 4 are one set;
1,2 are normal closed(NC);
3,4 are normal opened(NO).

Part Number: LAS1F-11 ■/JC/△/▲/◎

"■"	Operation mode	"△"	Cap or Lamp Color	"▲"	Lamp Voltage
No Letter	Momentary	R	Red	6V	AC/DC 6V
Z	Latching	G	Green	12V	AC/DC 12V
		Y	Yellow	24V	AC/DC 24V
		B	Blue	110V	AC/DC 110V (External resistor)
		W	White	220V	AC/DC 220V (External resistor)
"◎"	IP class	Other voltage can be made to order			
No Letter	IP40				
FP	IP67				

SPECIFICATIONS:

- Switch Rating: AC220V/2A, DC220V/0.1A.
- Mechanical Life: Momentary ≥1,000,000cycles
Latching ≥500,000cycles.
- Electrical Life: ≥50,000cycles.
- Contact Resistance: ≤50mΩ.
- Insulation Resistance: ≥100MΩ.
Between terminals of the same pole: AC 1,500V, RMS 50Hz, 1min;
Between terminals of different pole: AC 2,000V, RMS 50Hz, 1min.
- Operating Temperature: -25°C ~ +55°C (No Freezing).
- Operating Force: About 2N.
- Operating Travel: About 3mm.
- Terminal Type: Pin Terminal (2.8x 0.5mm).
- IP Class: IP40, IP67 (with a seal cover).

MATERIALS:

- Contact: Silver alloy.
- Button: PC.
- Body: PC.
- Base: PC.

BRAND ONPOW 品牌 欧宝龙		红波按钮制造有限公司 ONPOW PUSH BUTTON MANUFACTURE CO.,LTD.	
THESE DRAWINGS AND SPECIFICATIONS ARE THE PROPERTY OF ONPOW PUSH BUTTON MANUFACTURE CO.,LTD. AND SHALL NOT BE REPRODUCED COPIED OR USED IN ANY MANNER WITHOUT THE PRIOR WRITTEN CONSENT OF ONPOW PUSH BUTTON MANUFACTURE CO.,LTD.		USED 用途 CH 2021/11/12 APPD 审核	CHKD 校对 NCH 2021/11/12 CHK 校核
DIMENSIONS TOLERANCE 0.00 TO 3.00mm ±0.25mm 3.01 TO 6.00mm ±0.30mm 6.01 TO 10.00mm ±0.36mm 10.01 TO 18.00mm ±0.43mm 18.01 TO 30.00mm ±0.52mm 30.01 TO 50.00mm ±0.62mm 50.01 TO 80.00mm ±0.74mm		SCALE 比例 1.4 / 1 UNIT 单位 mm DR. 制图 YDY 2021/11/12	TITLE 名称 LAS1 Series pushbutton switch DWG NO. 图号 LAS1Y-JC带灯 SIZE 图纸 A4
Government standard: GB/T 1800.1-2009; Grade of tolerance: IT14.		FILE NAME 档案名称 LAS1Y.DWG SHEET 张 1 / 1 REV. 更改 1	