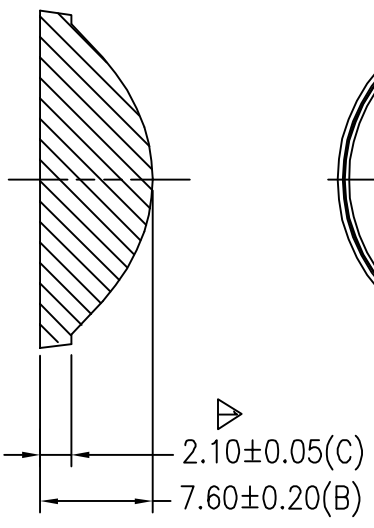
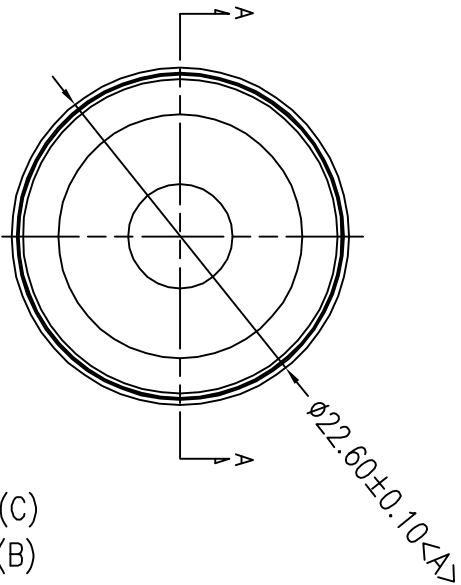


DRAW	REV	DATE	DESCRIPTION
郭柳建	△	2011/11/18	更改产品台阶位尺寸公差, 由±0.10改为±0.05mm



SECTION A-A

GENERAL TOLERANCES (UNLESS STATED)		Project NO.	LL01ED-AG60R06		 Ledlink Optics, Inc. <small>Leading Lens to The Real World</small>	
LINEAR	ANGULAR	Expect mark	TY-AMAB-L1			
X ± 0.25	X $\pm 1^\circ$	TITLE	UNIT	mm	DATE	2011/11/18
XX ± 0.20	X: X $\pm 0.5^\circ$	APPROVED	MATERIAL	PMMA V825	REV	1.1
XXX ± 0.10	X: XX $\pm 0.1^\circ$	CHECK	SCALE	FIT	 Third Angle Projection	
DRAWING		DRAWING	郭柳建			

