



Features

- 21" Full HD TFT Touch Panel PC
- 5-wire Resistive Touch Screen
- FPC-21W06: Intel® Core™ i5-520E 2.4GHz CPU
FPC-21W07: Intel® Cedarview D2700 2.13GHz CPU
- VGA, HDMI, Audio, 2 x 2W Speakers
- Dual Gigabit Ethernet, Optional WiFi Module
- 1 Mini PCIe, 2 COM, 5 USB
- Supports 2.5" SATA HDD
- IP-65 Compliant Front Panel
- VESA Compliance

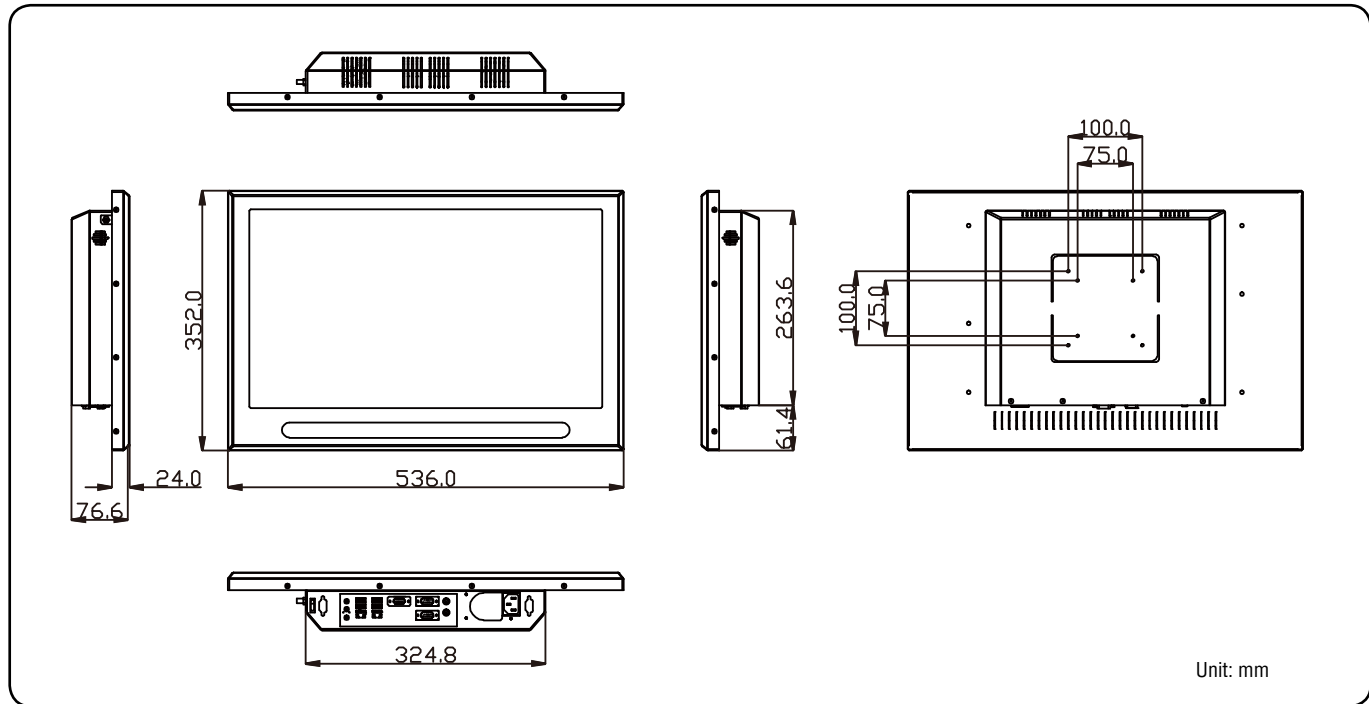
Intel®	Touch Screen	2W Speaker	2 GbE	Mini PCIe
2 COM	5 USB	VESA	IP-65	

Specifications

Model Name	FPC-21W06	FPC-21W07
• LCD Size	21", 16:9	21", 16:9
• Display Type	Full HD TFT	Full HD TFT
• Resolution, Color	1920 x 1080, 16.7M	1920 x 1080, 16.7M
• Pixel Pitch	0.248mm (H) x 0.248mm (V)	0.248mm (H) x 0.248mm (V)
• Luminance	250cd/m ²	250cd/m ²
• Contrast Ratio	1000	1000
• Viewing Angle	80 (U), 80 (D), 85 (L), 85 (R)	80 (U), 80 (D), 85 (L), 85 (R)
• Response Time	5ms	5ms
• Backlight	4 x CCFL	4 x CCFL
• Touch Screen	5-wire Resistive	5-wire Resistive
• Light Transmission	80%	80%
• Touch Interface	USB	USB
System		
• Board	EMX-QM57	EMX-GDV
• CPU	Onboard Intel® Core™ i5-520E 2.4GHz CPU	Onboard Intel® Atom™ Cedarview Dual-Core D2700 2.13GHz CPU
• Cooling Method	Active CPU Cooler	Active CPU Cooler
• System Chipset	Intel® QM57	Intel® NM10
• I/O Chip	Winbond W83667HG-A	Winbond W83627DHG-P
• System Memory	Two 204-pin SODIMM Socket Supports Up to 8GB DDR3 800/ 1066MHz	Two 204-pin SODIMM Socket Supports Up to 4GB DDR3 1066MHz
• HDD Drive Bay	1 x 2.5" SATA HDD	1 x 2.5" SATA HDD
• Expansion	1 x Mini PCIe	1 x Mini PCIe
Rear Panel I/O		
• Serial Port	2 x RS-232	2 x RS-232
• Ethernet	2 x RJ-45 (Intel® 82577-LM Gigabit Ethernet, 1 x Realtek RTL8111C Gigabit Ethernet)	2 x RJ-45 (Dual Realtek RTL8111E Gigabit Ethernet)
• WiFi	Optional USB WiFi 802.11 b/g (Occupies One USB Port)	Optional USB WiFi 802.11 b/g (Occupies One USB Port)
• VGA	1 x DB-15	1 x DB-15
• HDMI	1 x HDMI	1 x HDMI
• Display Port	1 x Display Port	N/A
• Audio	Line-out, Line-in, Mic-in	Line-out, Line-in, Mic-in
• USB	5 x USB 2.0	5 x USB 2.0
• Mouse & K/B	1 x PS/2 Keyboard/ Mouse Connector	1 x PS/2 Keyboard/ Mouse Connector
• Speaker	2 x 2W	2 x 2W



Diagram



1
LPC
Series

2
APC
Series

3
PPC
Series

4
FPC
Series

5
MPC
Series

6
OPM
Series

7
SPC
Series

8
MTP
Series

9
RISC
Series

10
ACC

Environment & Mechanical

• System Fan	1 x System Fan
• Color	Front Panel Black; Rear Panel Black
• Mounting	Wall/ Stand/ VESA 75mm x 75mm and 100mm x 100mm
• Power Input	100 ~ 240VAC
• Power Output	180W
• Operating Temperature	0°C ~ 40°C (32°F ~ 104°F)
• Storage Temperature	-10°C ~ 50°C (14°F ~ 122°F)
• Relative Humidity	10% to 95% @ 40°C, Non-condensing
• Dimensions (W x D x H)	536mm X 346.5mm X 80.4mm
• Weight	7.32Kgs

Ordering Information

- **FPC-21W06**
21" FHD TFT Touch Panel PC with Intel® QM57 Chipset, 5-wire Resistive Touch Panel
- **FPC-21W07**
21" FHD TFT Touch Panel PC with Intel® Cedarview D2700 Dual Core Solution, 5-wire Resistive Touch Panel
- **ACC-WIFI-USB-12R**
USB 802.11b/g/n Module w/ Antenna, Cable
- **ACC-FPC-WALLMT-03R**
Wall Mount Bracket Kit for FPC-17~21W B1
- **ACC-FPC-WALLMT-05R**
Openframe Bracket Kit for FPC-18~21W B1
- **ACC-ARM-D23R**
VESA Stand, 75 & 100mm