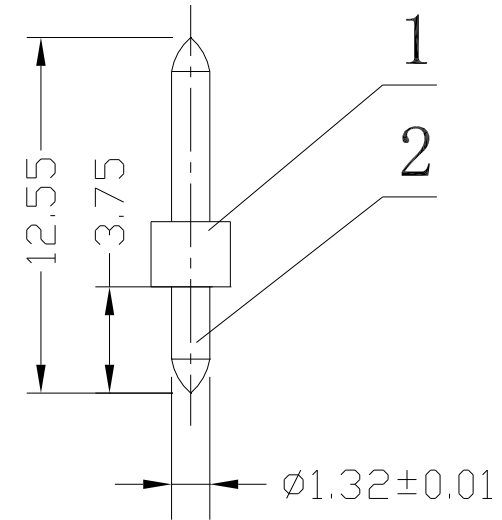
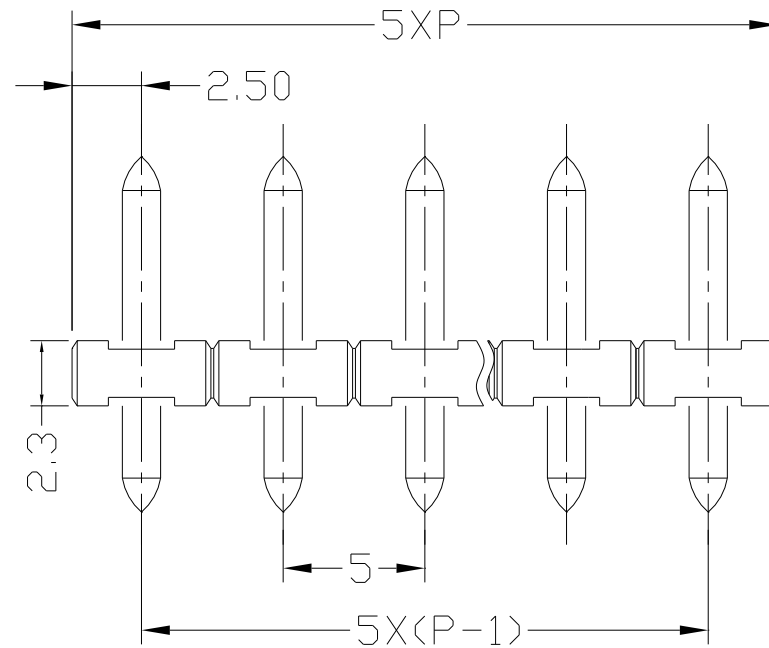


序号/RevNo.	名称/Title	文件编号/File No.
1	XY330塑件	
2	XY330V端子	



250V 10A

Poles: any poles

Pitch: 5mm&10mm

Pin Dimension: $\phi 1.32\text{mm}$

Materials

Housing: PBT(30% Glass filled)

Solder Pin: Brass, Tin Plated.

设计/Designed by	绘图/Drawing by	审核/Checked by	批准/Approved by	未注公差 General Tolerance	
		图名/Title	文件编号/File No.	x. ±0.2	x.° ±2°
		XY330V产品图	页序/Sheet	.x ±0.1	.x° ±1°
备注/Remark				.xx ±0.05	.xx° ±0.5°
				.xxx ±0.01	
				单位/Units: mm	

序号/RevNo.	更改记录/Revision note	签名/Signature	日期/Date