

PCB Connector

Pitch=2.00mm TYPE

Electrical Specification:

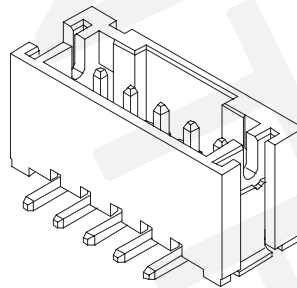
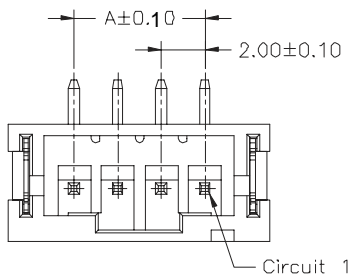
Rated Voltage: 50/250V AC.DC
 Rated Current: 2A
 Contact Resistance: 0.02 Ohm max
 Insulation Resistance: 1000M Ohm min
 Withstand voltage: 800V AC/MIN
 Temperature range for usage : -40°C~+105°C
 P.C board thickness : 0.8~1.6mm

Material:

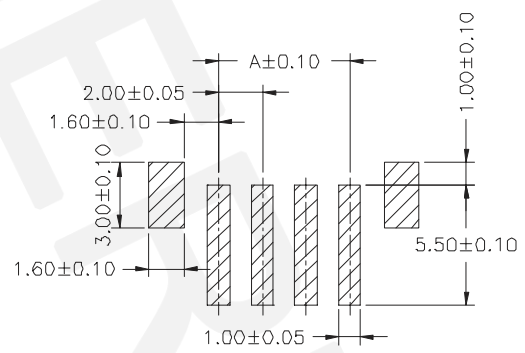
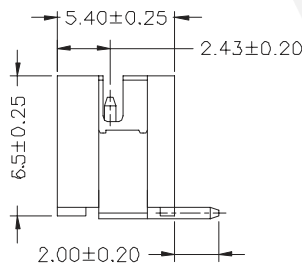
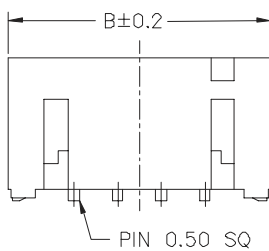
Housing: PA66 UL94V-2
 Contacts: Brass
 Plating: Tin 50u" over 100u" nickel



Vertical SMT



PART NO.	Dimensions	
	A	B
02	2.00	8.00
03	4.00	10.00
04	6.00	12.00
05	8.00	14.00
06	10.00	16.00
07	12.00	18.00
08	14.00	20.00
09	16.00	22.00
10	18.00	24.00
11	20.00	26.00
12	22.00	28.00
13	24.00	30.00
14	26.00	32.00
15	28.00	34.00
16	30.00	36.00



PCB LAYOUT