

**Product number FA11067_LED1-O-90**

Family	Leila	FWHM	(simulated) 36+21
Type	Assembly	Efficiency	-
LED	MC-E	cd/lm	-
Color	Black	Gerber File	Available
Diameter	21.6 mm		
Height	14.04 mm		
Style	Round		
Optic Material	-		
Holder Material	-		
Fastening	["tape"]		
Status	Production ready		

**Product number FA11447_LED1-M2**

Family	Leila	FWHM	(simulated) 28
Type	Assembly	Efficiency	-
LED	MC-E	cd/lm	-
Color	Black	Gerber File	Available
Diameter	21.6 mm		
Height	14.04 mm		
Style	Round		
Optic Material	-		
Holder Material	-		
Fastening	["tape"]		
Status	Production ready		

**Product number FA10650_LED1-D**

Family	Leila	FWHM	20 degrees
Type	Assembly	Efficiency	-
LED	MC-E	cd/lm	-
Color	Black	Gerber File	Available
Diameter	21.6 mm		
Height	14.04 mm		
Style	Round		
Optic Material	PMMA		
Holder Material	-		
Fastening	["tape"]		
Status	Production ready		

**Product number FA10613_LED1-RS**

Family	Leila	FWHM	21 degrees
Type	Assembly	Efficiency	89 %
LED	MC-E	cd/lm	-
Color	Black	Gerber File	Available
Diameter	21.6 mm		
Height	14.04 mm		
Style	Round		
Optic Material	PMMA		
Holder Material	-		
Fastening	["tape"]		
Status	Production ready		

**Product number FA10614_LED1-M**

Family	Leila	FWHM	24 degrees
Type	Assembly	Efficiency	88 %
LED	MC-E	cd/lm	-
Color	Black	Gerber File	Available
Diameter	21.6 mm		
Height	14.04 mm		
Style	Round		
Optic Material	PMMA		
Holder Material	-		
Fastening	["tape"]		
Status	Production ready		

**Product number FA11894_LED1-W**

Family	Leila	FWHM	28 degrees
Type	Assembly	Efficiency	-
LED	MC-E	cd/lm	-
Color	Black	Gerber File	Available
Diameter	21.6 mm		
Height	14.04 mm		
Style	Round		
Optic Material	-		
Holder Material	-		
Fastening	["tape"]		
Status	Production ready		

**Product number FA10615_LED1-REC**

Family	Leila	FWHM	38+24 degrees
Type	Assembly	Efficiency	86 %
LED	MC-E	cd/lm	-
Color	Black	Gerber File	Available
Diameter	21.6 mm		
Height	14.04 mm		
Style	Round		
Optic Material	-		
Holder Material	-		
Fastening	["tape"]		
Status	Production ready		

NOTE: The typical divergence will be changed by different color, chip size and chip position tolerance. The typical total divergence is the full angle measured where the luminous intensity is half of the peak value.



PRODUCT DATASHEET

Leila series

last update 26/6/2013

GENERAL INFORMATION

- Product series especially designed & optimized for MC-E series of LEDs.
- Special care taken to make light distribution as uniform as possible.
- Lens material optical grade PMMA with high UV and temperature resistance. Allows use of high current and temperature conditions.

Please find more information about used material from below:

http://ledil.fi/sites/default/files/Documents/Technical/Material/PMMA%20N%20UL94_Yellow%20Card.pdf

<http://ledil.fi/sites/default/files/Documents/Technical/Material/PMMA%20N%20PLEXIGLAS-Datasheet.pdf>

D

C

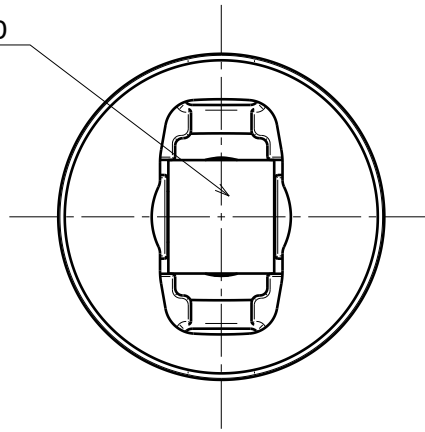
B

A

4

4

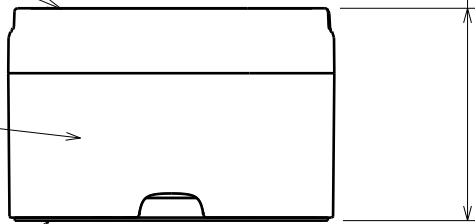
LED



Bottom view

Lens

Holder



Side view

14.04

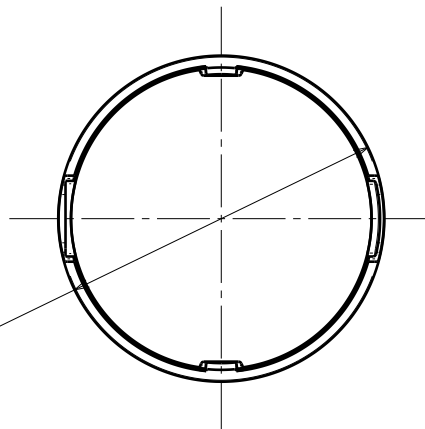
Tape 0,2mm

3

3

2

2



Top view

∅21.6

MATERIALS

Lens: PMMA

Holder: PC

This drawing is our property.
It can't be reproduced
or communicated without
our written agreement.



L
T
F
F

e
e
i
i
N
n

d

h

DRAWING TITLE

Datasheet LM1-series assy

1

DRAWN BY

DATE

p

04.11.2008

CHECKED BY

DATE

t

k

25.09.2008

DESIGNED BY

DATE

HH

24.07.2008

SIZE

A4

DRAWING NUMBER

REV

0.1

SCALE

2:1

WEIGHT (g)

-

SHEET

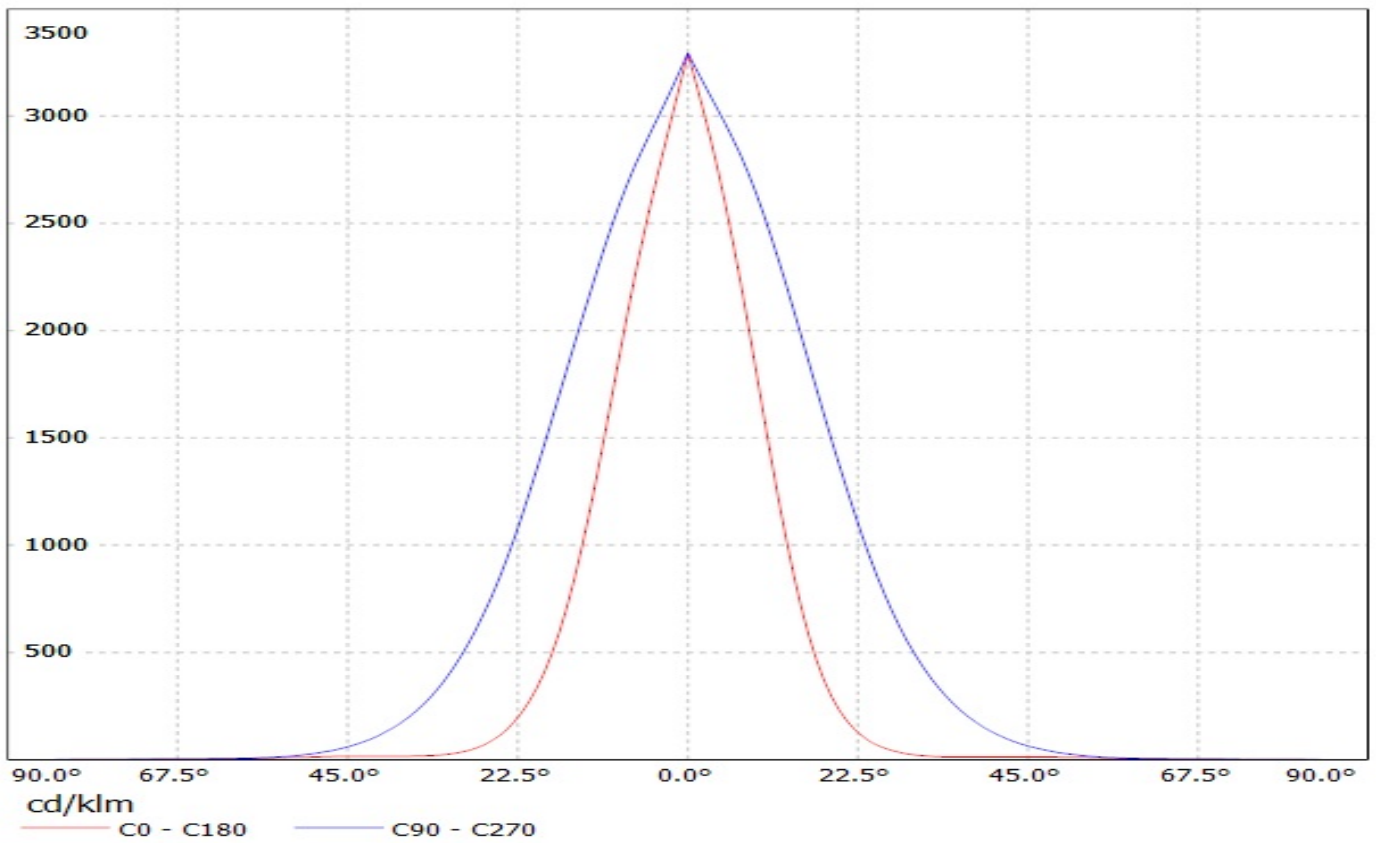
1/1

D

A

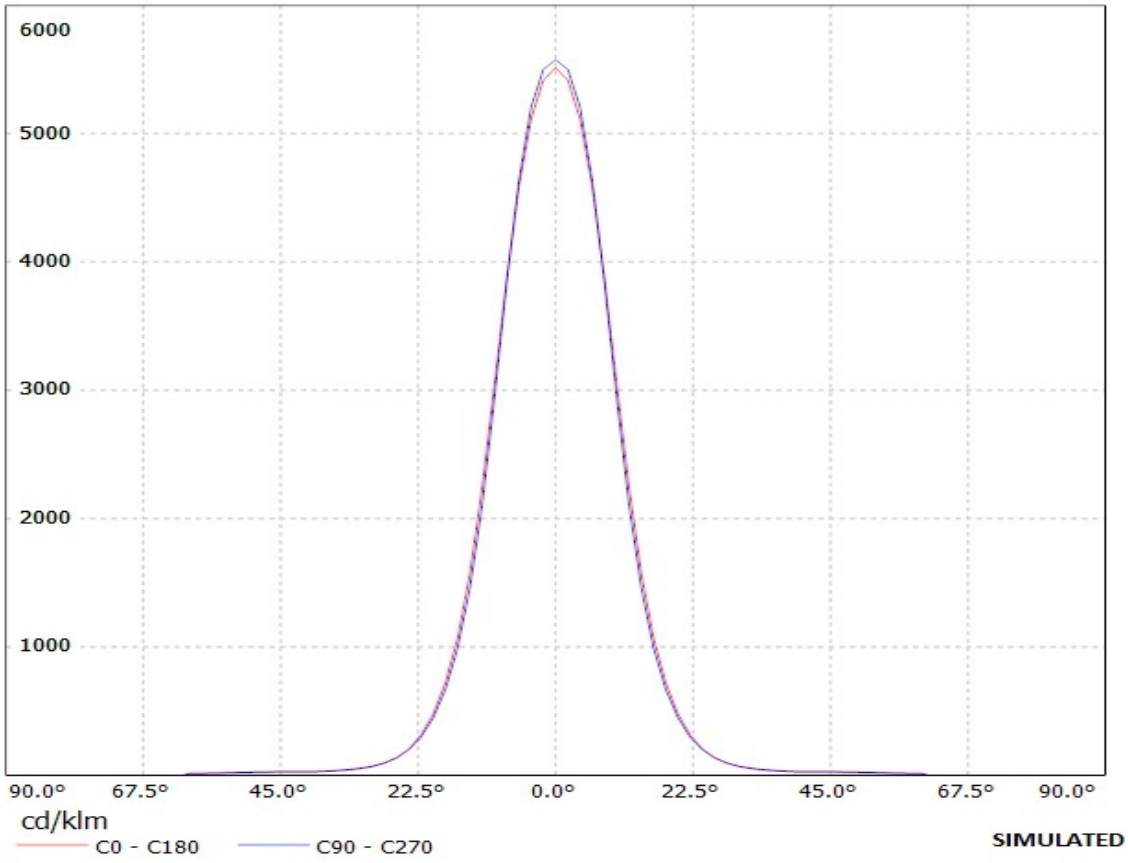
Ledil Oy FA11067_LM1-O-90-MC-E_SIMULATED / LDC (Linear)

Luminaire: Ledil Oy FA11067_LM1-O-90-MC-E_SIMULATED
Lamps: 1 x Cree MC-E 100lm



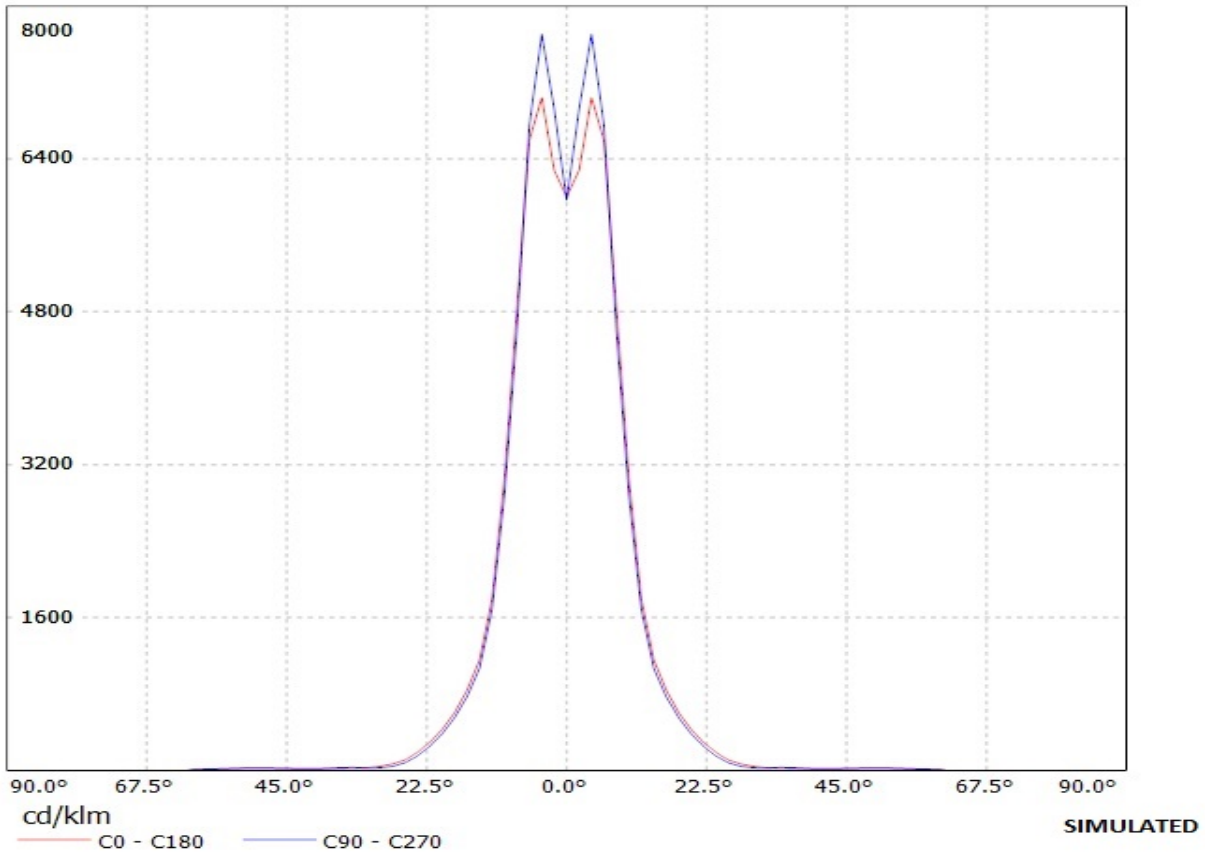
Ledil Oy FA10650_LM1-D FA10650_LM1-D / LDC (Linear)

Luminaire: Ledil Oy FA10650_LM1-D FA10650_LM1-D
Lamps: 1 x Cree MC-E



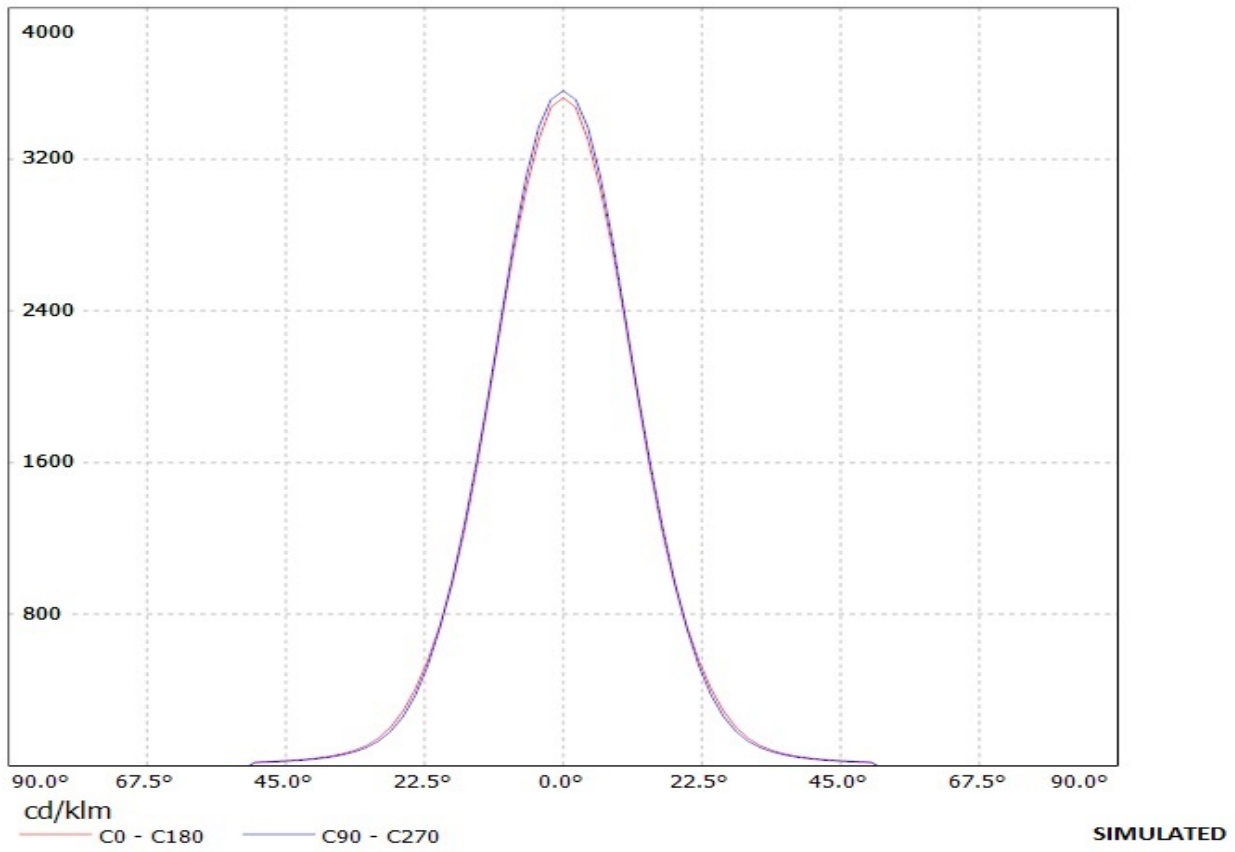
Ledil Oy FA10613_LM1-RS FA10613_LM1-RS / LDC (Linear)

Luminaire: Ledil Oy FA10613_LM1-RS FA10613_LM1-RS
Lamps: 1 x Cree MC-E (White)



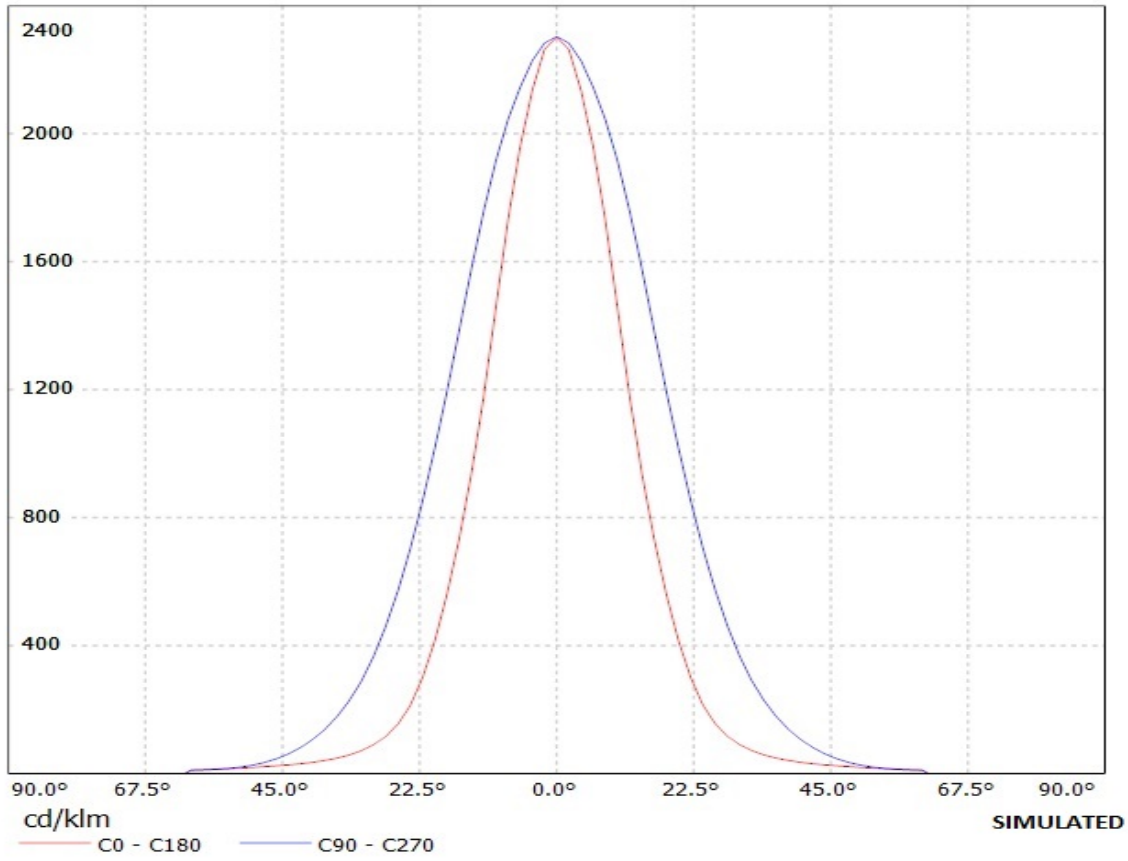
Ledil Oy FA10614_LM1-M FA10614_LM1-M / LDC (Linear)

Luminaire: Ledil Oy FA10614_LM1-M FA10614_LM1-M
Lamps: 1 x Cree MC-E (white)



Ledil Oy FA10615_LM1-REC FA10615_LM1-REC / LDC (Linear)

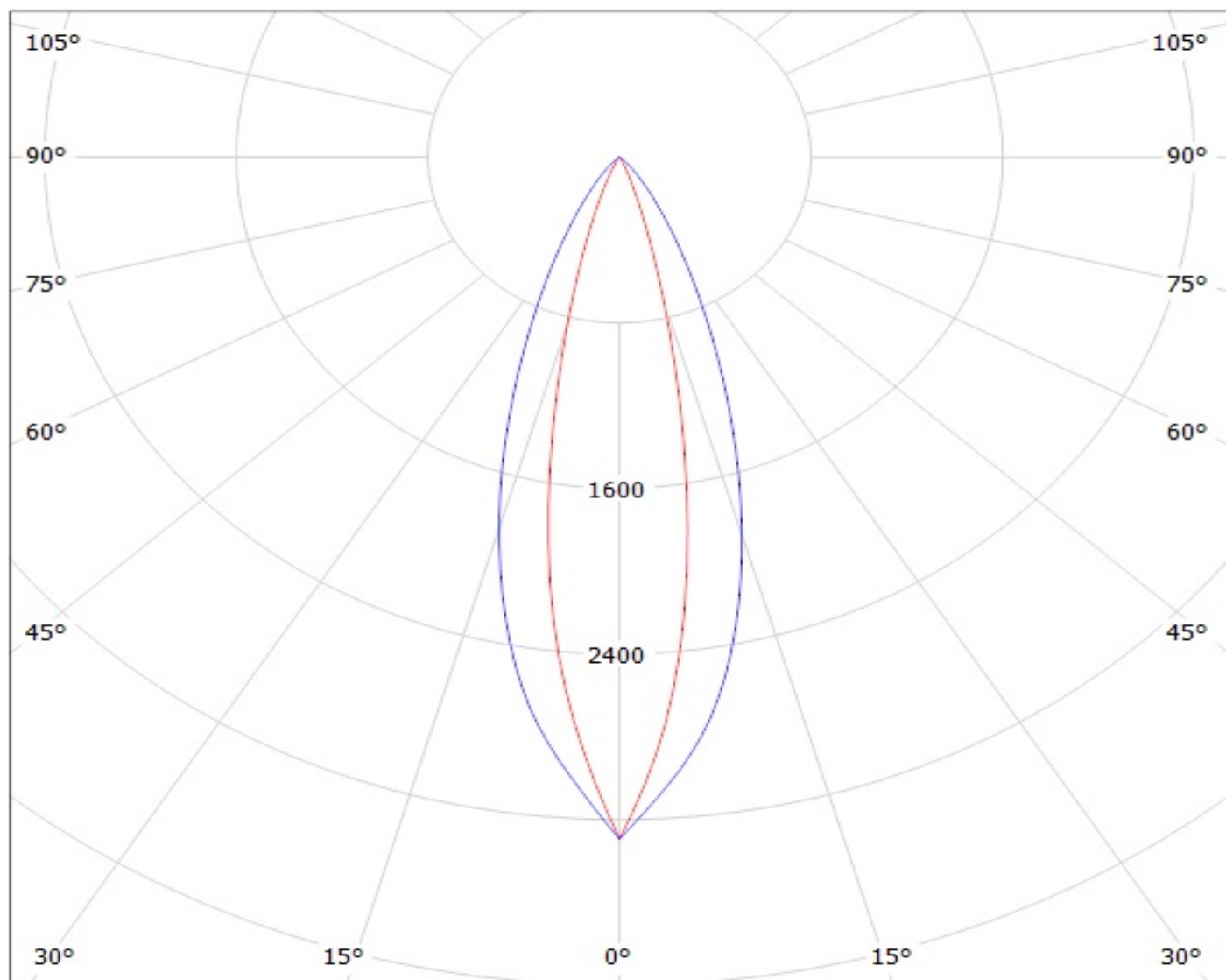
Luminaire: Ledil Oy FA10615_LM1-REC FA10615_LM1-REC
Lamps: 1 x Cree MC-E (white)



Ledil Oy FA11067_LM1-O-90-MC-E_SIMULATED / LDC (Polar)

Luminaire: Ledil Oy FA11067_LM1-O-90-MC-E_SIMULATED

Lamps: 1 x Cree MC-E 100lm



cd/klm

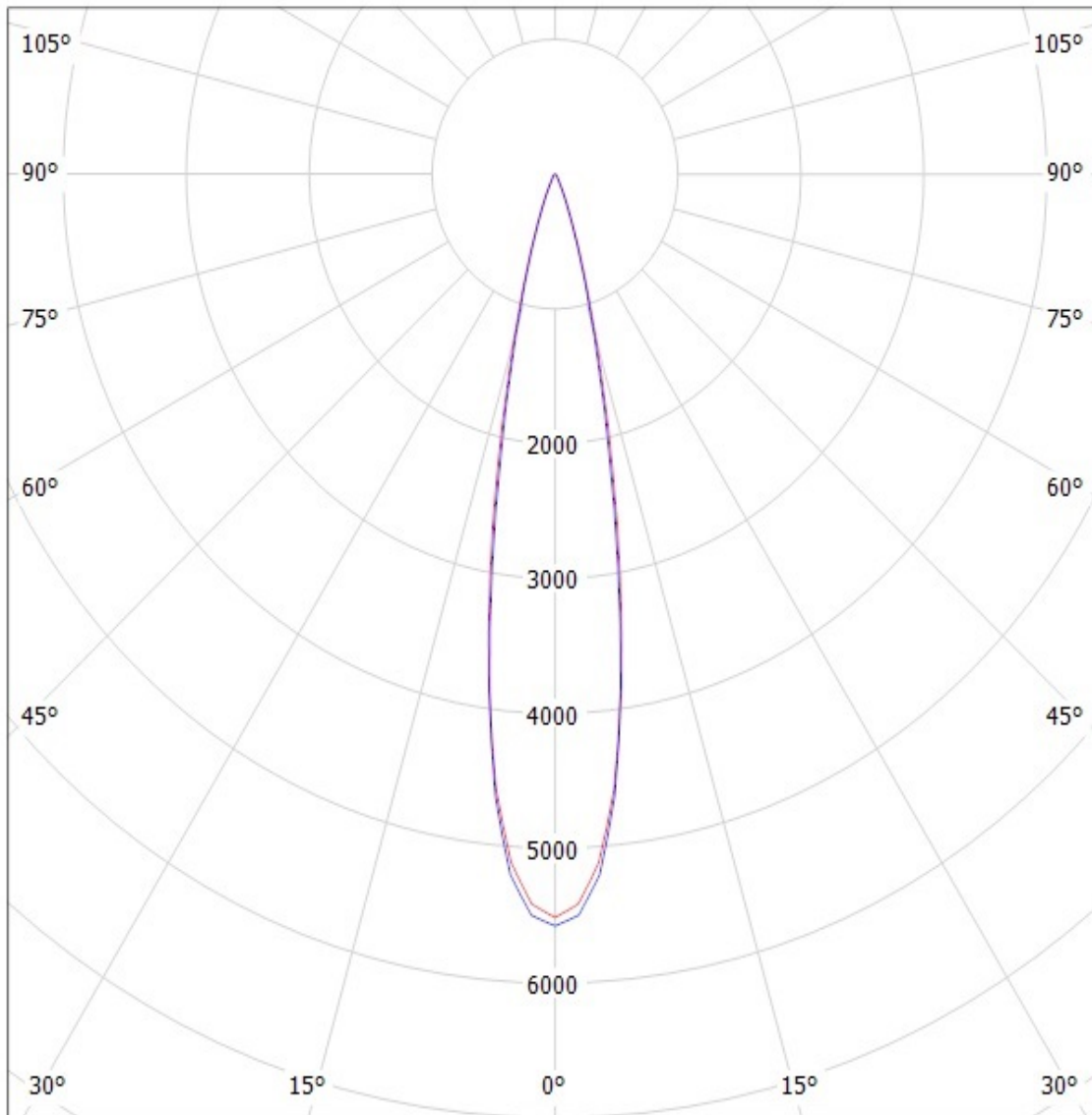
— C0 - C180

— C90 - C270

Ledil Oy FA10650_LM1-D FA10650_LM1-D / LDC (Polar)

Luminaire: Ledil Oy FA10650_LM1-D FA10650_LM1-D

Lamps: 1 x Cree MC-E



cd/klm

— C0 - C180

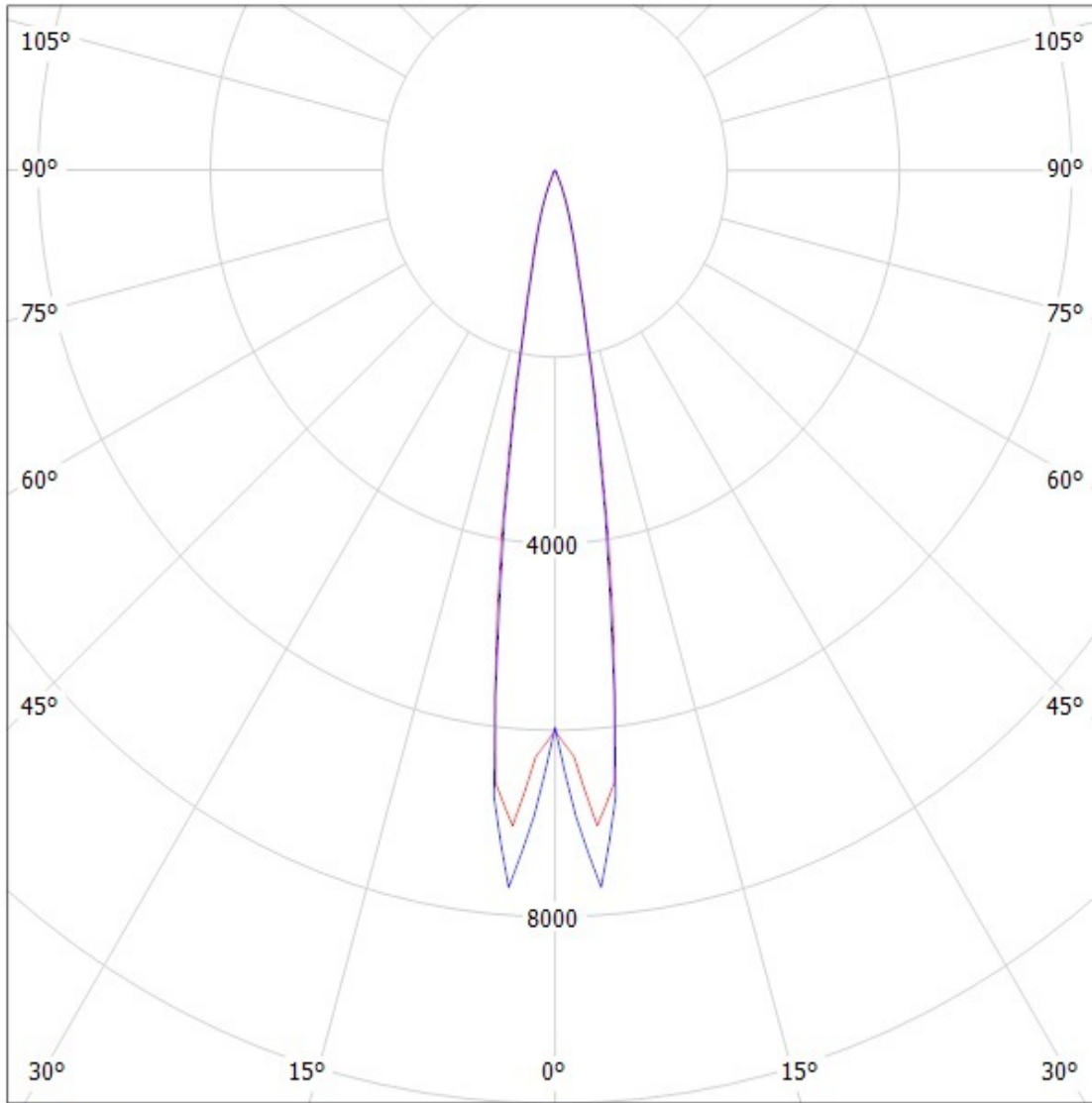
— C90 - C270

SIMULATED

Ledil Oy FA10613_LM1-RS FA10613_LM1-RS / LDC (Polar)

Luminaire: Ledil Oy FA10613_LM1-RS FA10613_LM1-RS

Lamps: 1 x Cree MC-E (White)



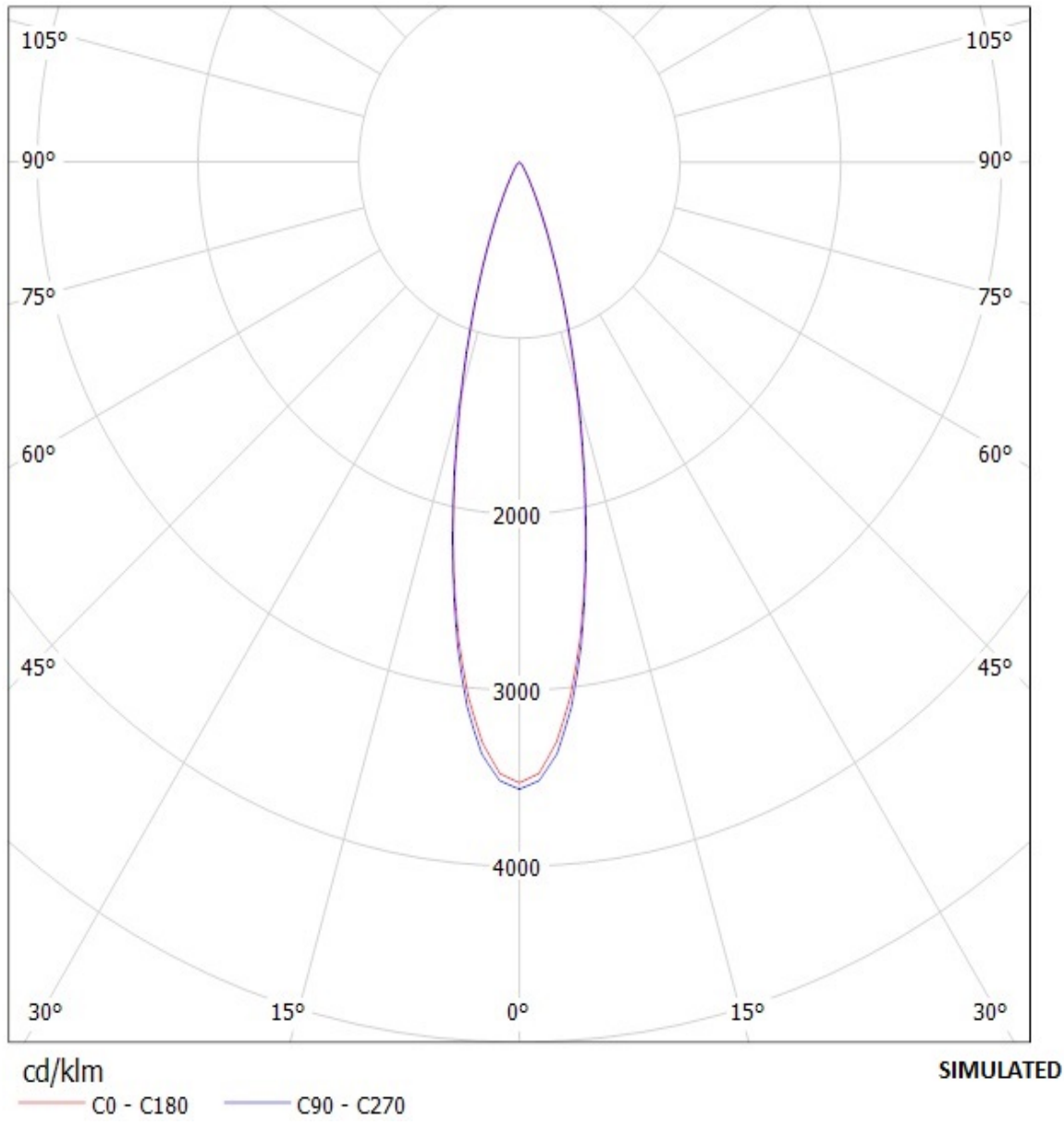
cd/klm

— C0 - C180 — C90 - C270

SIMULATED

Ledil Oy FA10614_LM1-M FA10614_LM1-M / LDC (Polar)

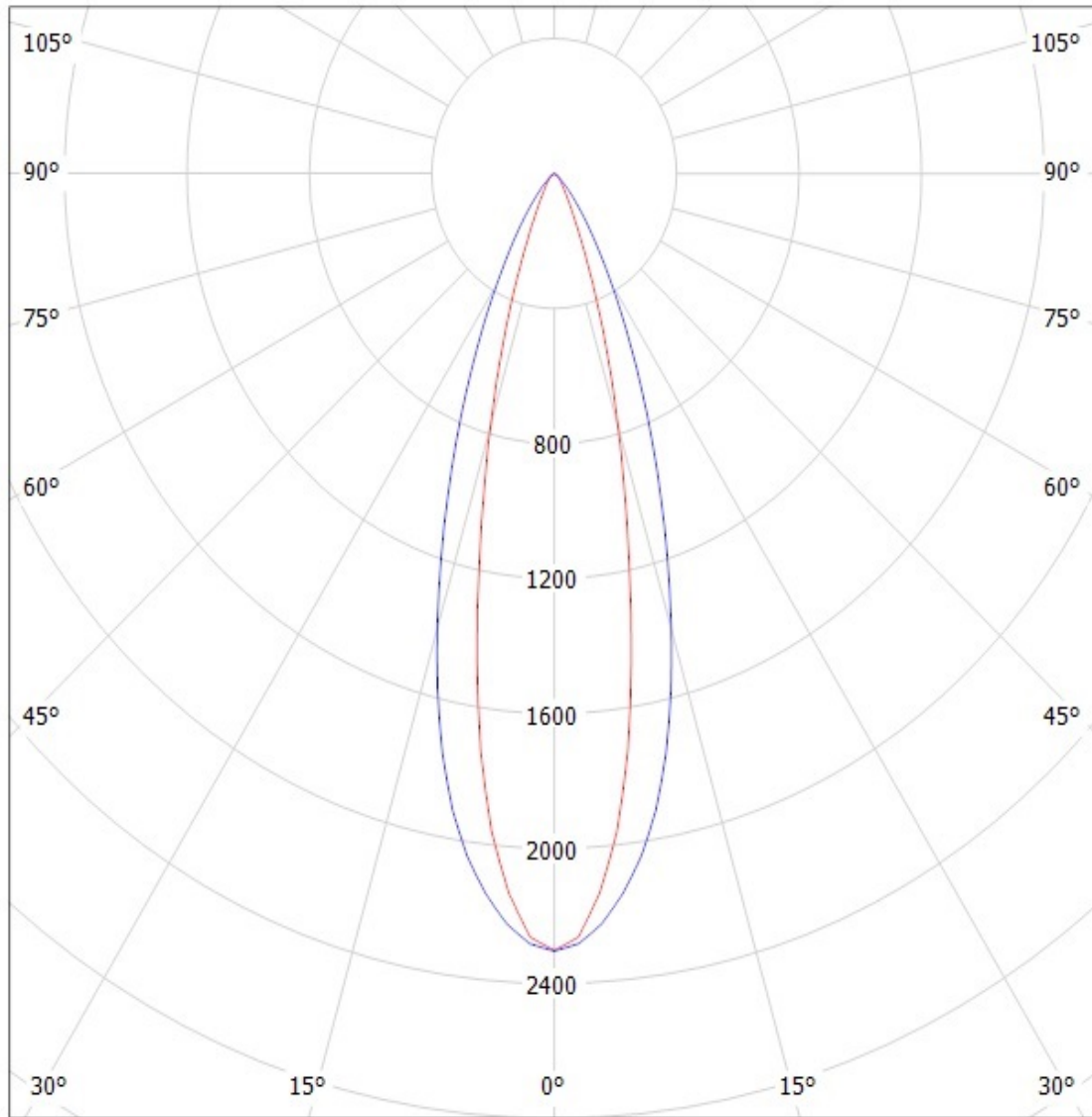
Luminaire: Ledil Oy FA10614_LM1-M FA10614_LM1-M
Lamps: 1 x Cree MC-E (white)



Ledil Oy FA10615_LM1-REC FA10615_LM1-REC / LDC (Polar)

Luminaire: Ledil Oy FA10615_LM1-REC FA10615_LM1-REC

Lamps: 1 x Cree MC-E (white)



cd/klm

— C0 - C180 — C90 - C270

SIMULATED