

DETAILS

Product Number	FA10615_LM1-REC
Family	Leila
Type	Assembly
Color	black
Diameter	21,6 mm
Height	14,04 mm
Style	round
Optic Material	
Holder Material	
Fastening	tape
Status	production ready
ROHS Compliant	Yes
Date Updated	26/06/2013



OPTICAL PROPERTIES

LED	Viewing Angle	Light Beam	Efficiency	cd/lm	Connector
MC-E	38+24 deg	REC-class	86 %	-	-

D

C

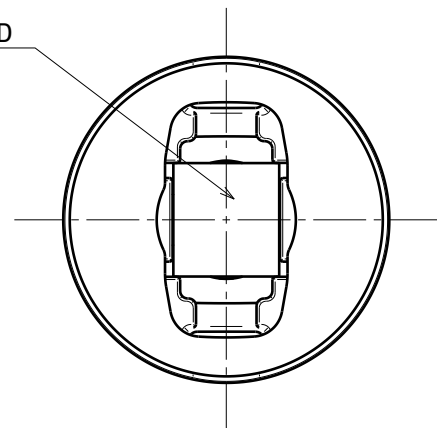
B

A

4

4

LED



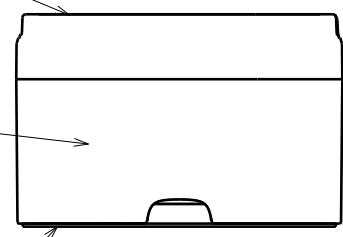
Bottom view

Lens

Holder

Tape 0,2mm

14.04



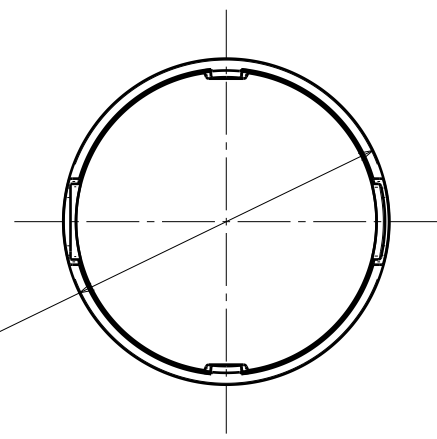
Side view

3

3

2

2



Top view

Ø 21.6

MATERIALS
 Lens: PMMA
 Holder: PC

This drawing is our property.
 It can't be reproduced
 or communicated without
 our written agreement.



L
T
F
F

e
e
i
i

d

h

DRAWING TITLE

Datasheet LM1-series assy

DRAWN BY
p

DATE
04.11.2008

CHECKED BY
t k

DATE
25.09.2008

SIZE
A4

DRAWING NUMBER

REV
0.1

DESIGNED BY
HH

DATE
24.07.2008

SCALE 2:1

WEIGHT (g) -

SHEET 1/1

1

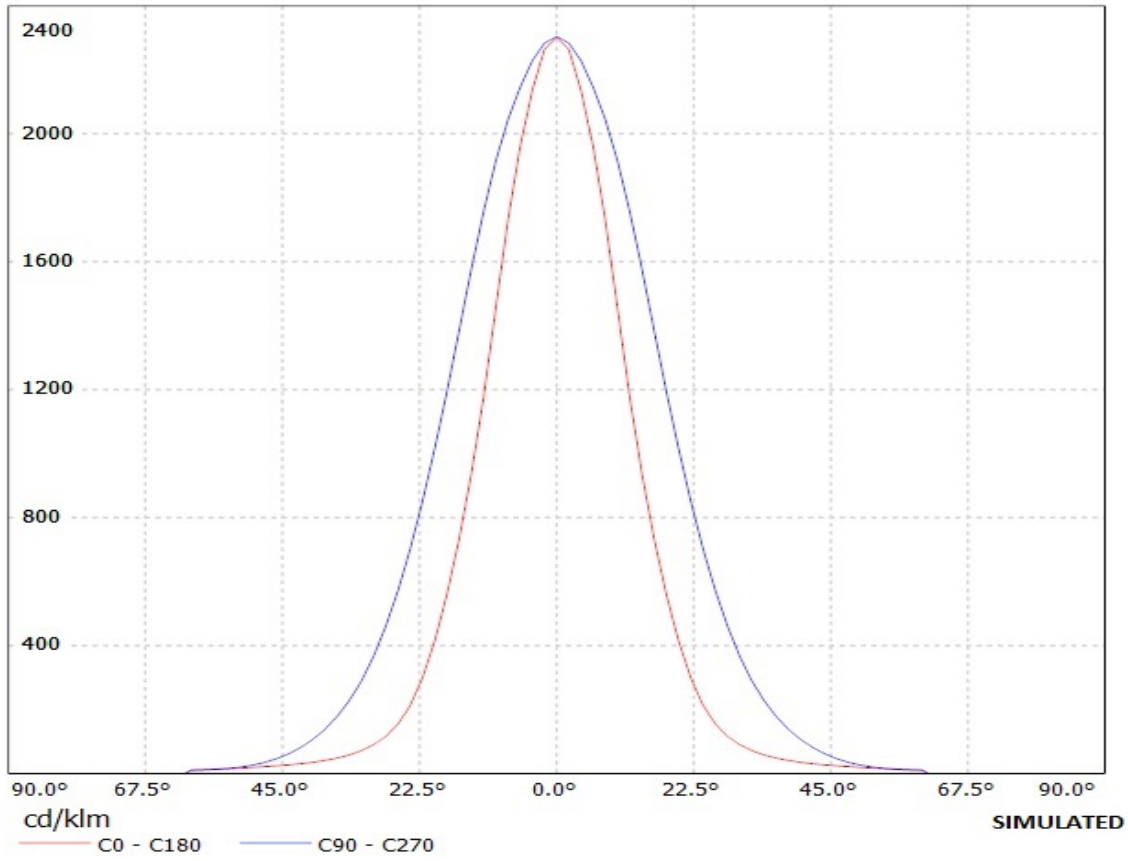
1

D

A

Ledil Oy FA10615_LM1-REC FA10615_LM1-REC / LDC (Linear)

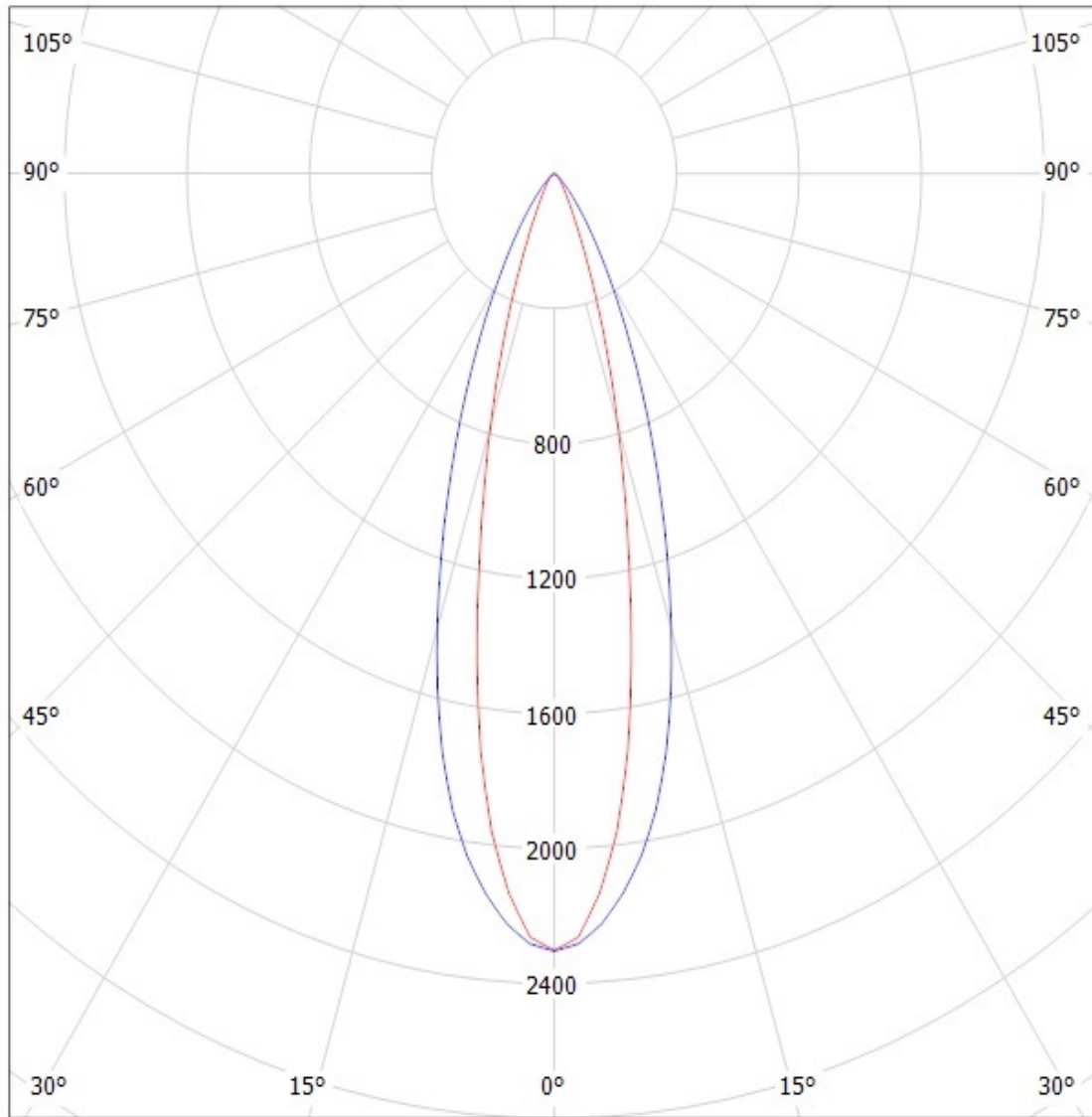
Luminaire: Ledil Oy FA10615_LM1-REC FA10615_LM1-REC
Lamps: 1 x Cree MC-E (white)



Ledil Oy FA10615_LM1-REC FA10615_LM1-REC / LDC (Polar)

Luminaire: Ledil Oy FA10615_LM1-REC FA10615_LM1-REC

Lamps: 1 x Cree MC-E (white)



cd/klm

— C0 - C180

— C90 - C270

SIMULATED

NOTE: The typical divergence will be changed by different color, chip size and chip position tolerance. The typical total divergence is the full angle measured where the luminous intensity is half of the peak value.