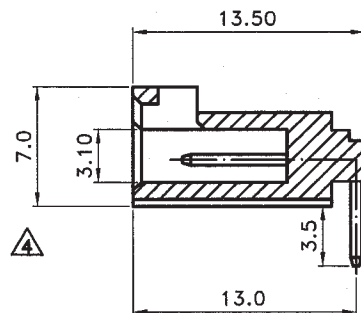
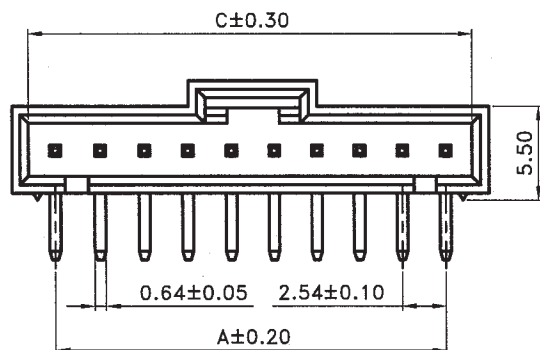
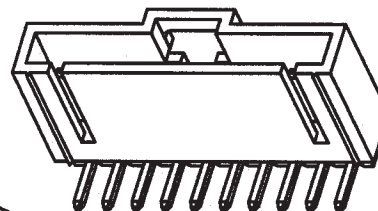
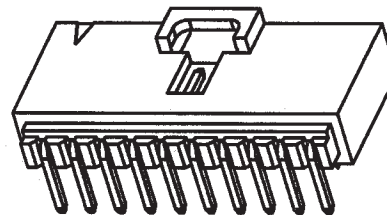
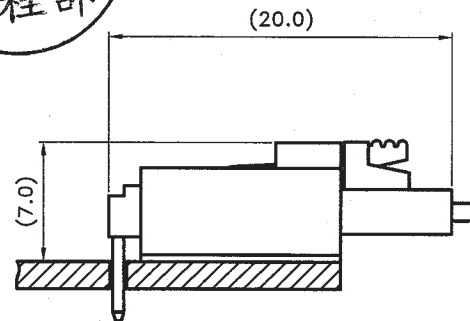


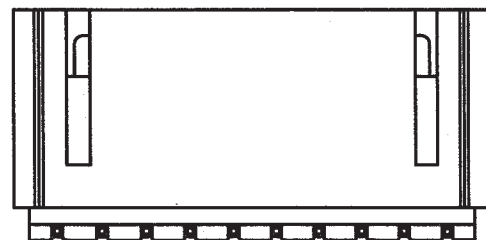
Recommended PCB Layout(Top View)



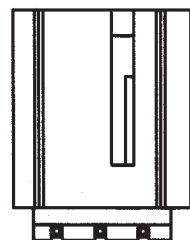
出圖
100.5.26
工程部



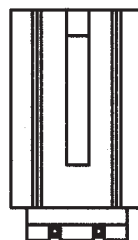
Assembled on the PCB



4~18 Circuit



3 Circuit



2 Circuit

■ SPECIFICATIONS

- Current Rating : 3A AC/DC
- Withstanding Voltage : 1,000V AC/minute
- Insulation Resistance : 1,000MΩ min.
- Temperature Range : - 25°C to + 85°C
- Contact Resistance : 20mΩ max.

■ WAFER

- Part No. : JS-1143R-XX(XX)

Material

Blank : PBT UL94V-0

9T : PA 9T UL94V-0

- Poles : 02~18
- Material :
 1. Contact : Brass, Gold Plated
 2. Base : Refer the above options
- Q' ty : 1,000 pcs./Bag

Poles	Dimensions(mm)		
	A	B	C
2	2.54	7.62	5.66
3	5.08	10.16	8.20
4	7.62	12.70	10.74
5	10.16	15.24	13.28
6	12.70	17.78	15.82
7	15.24	20.32	18.36
8	17.78	22.86	20.90
9	20.32	25.40	23.44
10	22.86	27.94	25.98
11	25.40	30.48	28.52
12	27.94	33.02	31.06
13	30.48	35.56	33.60
14	33.02	38.10	36.14
15	35.56	40.64	38.68
16	38.10	43.18	41.22
17	40.64	45.72	43.76
18	43.18	48.26	46.30



喬訊電子工業股份有限公司
CHYAO SHIUNN
ELECTRONIC INDUSTRIAL LTD.

PART NO JS-1143R-XX

2.54mm Series Wire to Board Connector, Right-Angle Type

APPROVED BY	SCALE	UNIT	TOLERANCE	LTR	REVISION RECORD	NAME	DATE	LTR	REVISION RECORD	NAME	DATE
張育瑞		mm	.0 ±0.30	△	2P & 3P 規格與美製印板線機有差異，將其調整在同一張圖面	黃科源	07/05/28	△			
CHECKED BY	PROJ	VER NO.	.00 ±0.20	△	修改尺寸對照表錯誤	黃科源	08/03/20	△			
黃科源	⊕	a6	.000 ±0.10	△	修改PCB Layout孔徑為1.02mm	黃科源	08/09/10	△			
DRAWN BY	DATE	SIZE	ANGLE		產品高度6.0mm修改為7.0mm & Layout孔為1.02mm	王誠賢	10/06/10		CUSTOMER		
王誠賢	2011/05/16	A4	0° ±1°	△	修改物性表內容、B & CR 尺寸標註位置及合併圖面	王誠賢	11/05/17		Conforms to The RoHS Instruction		
			.0° ±	△							
			SHEET 1/1	△							