



上海红波电器有限公司

SHANGHAI HONGBO ELECTRIC CO.,LTD.

规格书

Specification

产品类别 (product type): 金属按钮开关 Metal push button switch		
产品名称 (product name): Φ 19mm 平钮 Momentary switch		
产品编号 (part No.): HBGQ19F-10/S		
签核 (Signatures)		
核准 (Approved)	审核 (Checked)	制定 (Drawn)

客户 (Customer)		
公司名称 (Corporation):		
物料编码 (material No.): HBGQ19F-10/S		
物料名称 (Part No.):		
客户确认 (Customer Signatures)		

地址 1: 浙江省温州市柳市朝阳工业区

地址 2: 上海市奉贤区四团经济园区

Factory Add 1: Chaoyang Industrial Zone, Liushi Town, Wenzhou, Zhejiang, China

Factory Add 2: Four Group Economic Park, Fengxian District, Shanghai, China

电话 (Tel): 0577-62708000

传真 (Fax): 0577-62708007

电话 (Tel): 021-51097666

传真 (Fax): 021-51079666

网址 (web site): <http://www.hban.cc>

邮箱(mail): hb2@hban.cc



上海红波电器有限公司

SHANGHAI HONGBO ELECTRIC CO.,LTD.

Part No.: HBGQ19F-10/S

Feature

- *Waterproof, IP65
- *Destruction resistance, IK09
- *Screw Terminal

Descriptions

*The crust of this flat momentary push button with diameter $\Phi 19\text{mm}$ is stainless steel.

Applications

- *Shipping
- *Security Equipment
- *Household appliance
- *Medical equipment
- *Etc.

Package dimension (产品外型尺寸)

特征

- *防水, IP65
- *抗破坏, IK09
- *接线柱

描述

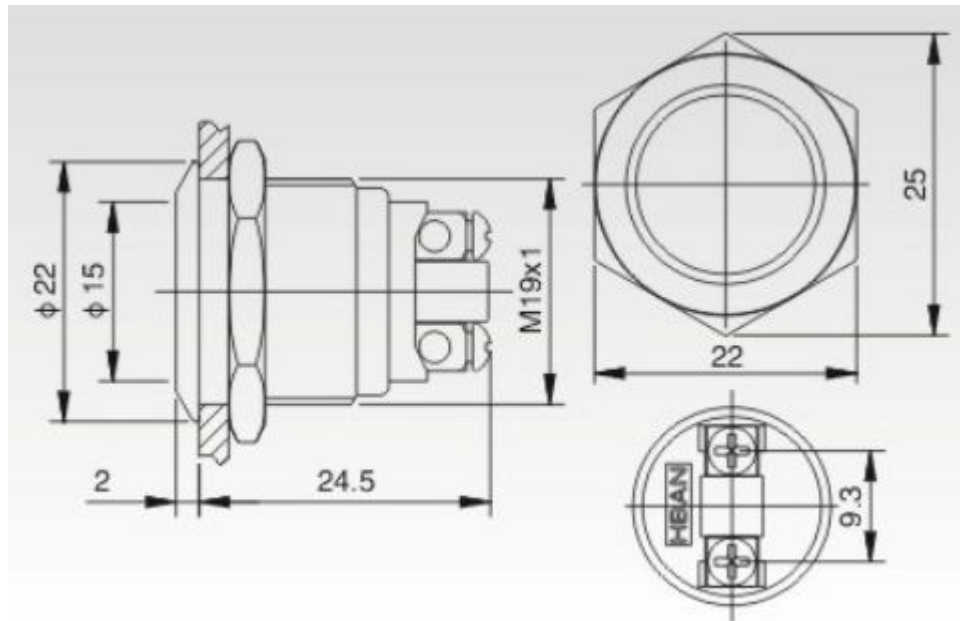
*这款 $\Phi 19\text{mm}$ 平钮自复按钮外壳是不锈钢材料

应用

- *船舶
- *安防设备
- *家用电器
- *医疗设备
- *等等



1. 不锈钢按键 Button:Stainless Steel
2. 硅胶防水垫圈 Black Waterproof Coil : Silicone rubber
3. 螺纹 Nut:黄铜镀镍 Nickel-plated Brass
4. 外壳 Case:不锈钢 Stainless Steel
5. 基座 Base:PBT
6. 黄铜 65 接线柱 Screw terminal:Brass 65



Type	Symbol	Diagram	Pin Explanation
X			<p>Lamp Pin</p> <p>HBQQ HBGQ</p> <ul style="list-style-type: none"> ● Switch with two terminal breakpoints slow moving contact. Individual products can be customized Y-type normally closed switch, refer to product description. ● Relatively independent of lamp beads and switch through the switch or the external circuit to control the status of the lamp beads. ● Switch Rating: 2A/36VDC Terminal Plug: 3*0.5mm
Y			

主要参数 Technical Parameter

产品规格 Specification	HBGQ19F-10/S	
头部形状 Head shape	平钮 Flat	
引脚类型 Terminal type	接线柱 Screw terminal	
开关规格 Switch type	X(双断点慢动触头) X(Double-break point slow-motion contact)	
接触电阻 Contact Resistance	$\leq 50m\Omega$	
绝缘电阻 Insulation Resistance	$\geq 1000M\Omega$	
绝缘强度 Dielectric Indensity	2000VAC	
环境温度 Operating Temp	-20℃- +55℃	
机械寿命 Mechanical Life	1,000,000 cycles	
电气寿命 Electric Life	200,000 cycles	
面板厚度 Panel thickness	1 -10mm	
螺母扭矩 Nut Torque	5-14Nm	
操作行程 Operating Stroke	约 about1.8mm	
操作压力 Operating Pressure	约 about4N	
材 料	触点 Contact	银合金 Silver Alloy
	按键 Button	Stainless Steel
	外壳 Case	Stainless Steel
	基座 Base	PBT

包装 Package

