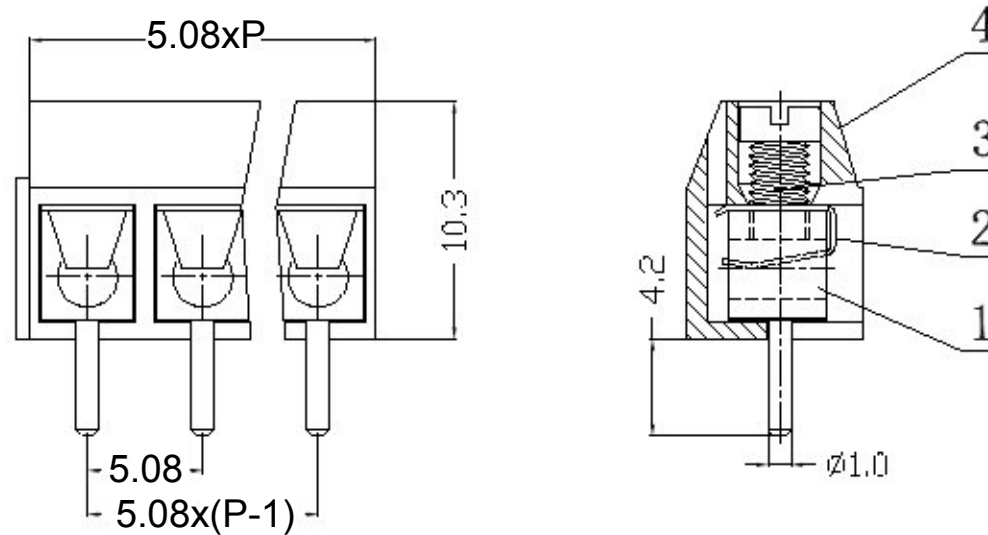


序号/RevNo.	名称/Title	文件编号/File No.
1	XY301V端子	
2	XY301簧片	
3	XY301螺丝	
4	XY301V塑件	



250V 16A 1.5mm<sup>2</sup>

Poles: 2P&3P

Pitch: 5.08mm

Pin Dimension:  $\varnothing 1.0\text{mm}$



## Materials

Housing: PBT(30% Glass filled)

Solder Pin: Brass, Tin Plated.

Screw: M2.6, Steel, Zinc Plated.

Wire Protector: 0.2t, Stainless steel.

设计/Designed by	绘图/Drawing by	审核/Checked by	批准/Approved by	未注公差 General Tolerance	
		图名/Title	文件编号/File no.	X. ±0.2	X.* ±2*
		XY301V产品图	页序/Sheet	.X ±0.1	.X* ±1*
备注/Remark				.XX ±0.05	.XX* ±0.5*
				.XXX ±0.01	
				单位/Units: mm	

序号/RevNo.	更改记录/Revision note	签名/Signature	日期/Date