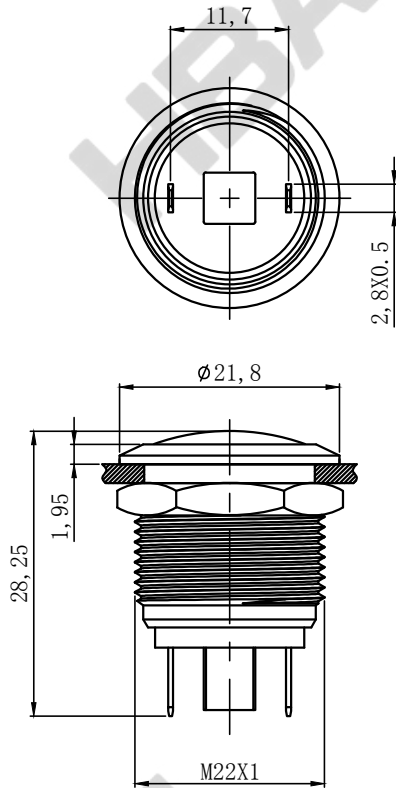
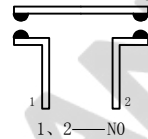


UNIT: mm (毫米)

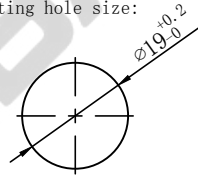
HBAN 红波



开关结构说明:
Switch structure description:



安装孔尺寸:
Mounting hole size:



性能要求:

Performance requirements:

- 防护等级: IP65;
Protection grade: IP65.
- 接触电阻: $\leq 50\text{m}\Omega$;
Contact resistance: $\leq 50\text{m}\Omega$.
- 绝缘电阻: $\geq 100\text{M}\Omega$;
The insulation resistance: $\geq 100\text{M}\Omega$.
- 抗电强度: AC2500V, 1min, 无闪烁、击穿;
Electrical resistance: AC2500V, 1min, no flicker and breakdown;
- 寿命: 电气部分在额定负载下动作5万次无异常。
Life: electrical part: operate 50,000 times under rated load without any abnormality.
机械部分: 动作100万次无异常;
Mechanical part: no abnormal movement for 100,000times.

技术要求:

Technical requirements:

- 表面光洁, 平整无毛刺;
The surface is smooth and smooth without burr;
- 参数/批次字迹清晰, 无错位;
Clear handwriting of parameters/batches without any dislocation;
- 电气参数: Ith: 5A Ui: 250V;
Electric parameter: 5A Ui: 250V;
- 工作环境温度: $-25^{\circ}\text{C} \sim +65^{\circ}\text{C}$;
Working environment temperature: $-25^{\circ}\text{C} \sim +65^{\circ}\text{C}$;
- 动作形式: 自复式;
Action form: self-compound ;
- 动作行程: 约1.8mm;
Movement stroke: about 1.8mm
- 连接形式: 配套接插件/焊接导线;
Connection form: supporting connector/welding wire;
- 拧紧力矩: 5~14Nm;
Tightening torque: 5-14Nm;
- 开关组合: 1NO;
Switch combination: 1NO;
- 外观材料: 按键: 不锈钢;
外壳: 不锈钢;
底座: PBT;
触点: 银合金;
Appearance material: Keypad: stainless steel;
Case: stainless steel;
Pedestal: PBT;
Contact silver alloy
- 未标注公差按照GB/T 1804-m级。
Unmarked tolerance shall be in accordance with GB/T 1804-f class.

					SHANGHAI HONGBO ELECTRIC CO. LTD.
					上海红波电器有限公司
标记	处数	更改文件号	签字	日期	名称(TITLE): M19 Metal waterproof push button switch
DR. 制图	APPD. 审核	SCALE 比例	countersign 会签	Date 日期	M19金属防水按钮开关
黄	陈秋霞	1.5:1		2021.6.8	图号(DWG NO): HBGQ19B-10/J/S
PK. 单重		P.		第1页 共1页 (1/1)	

描图

描校

底图号

装订号