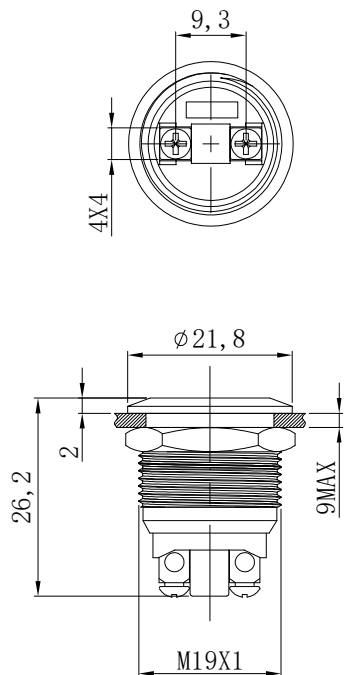


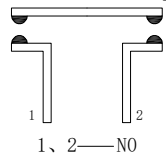
UNIT: mm (毫米)

HBAN

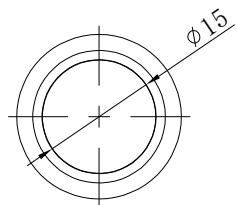
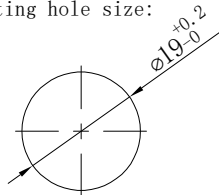
红波



开关结构说明:
Switch structure description:



安装孔尺寸:
Mounting hole size:



性能要求:

Performance requirements:

- 防护等级: IP65;
Protection grade: IP65.
- 接触电阻: $\leq 50\text{m}\Omega$;
Contact resistance: $\leq 50\text{m}\Omega$.
- 绝缘电阻: $\geq 100\text{M}\Omega$;
The insulation resistance: $\geq 100\text{M}\Omega$.
- 抗电强度: AC2500V, 1min, 无闪烁、击穿;
Electrical resistance: AC2500V, 1min, no flicker and breakdown;
- 寿命: 电气部分在额定负载下动作5万次无异常。
Life: electrical part: operate 50,000 times under rated load without any abnormality.
机械部分: 动作100万次无异常;
Mechanical part: no abnormal movement for 1000,000times.

技术要求:

Technical requirements:

- 表面光洁, 平整无毛刺;
The surface is smooth and smooth without burr;
- 参数/批次字迹清晰, 无错位;
Clear handwriting of parameters/batches without any dislocation;
- 额定电压: $I_{th}: 5\text{A}$ $U_i: 250\text{V}$;
Rated voltage: 5A 250V ;
- 工作环境温度: $-25^\circ\text{C} \sim +65^\circ\text{C}$;
Working environment temperature: $-25^\circ\text{C} \sim +65^\circ\text{C}$;
- 动作形式: 自复式;
Action form: self-compound ;
- 动作行程: 约1.8mm;
Movement stroke: about 1.8mm
- 连接形式: 配套接插件/焊接导线;
Connection form: supporting connector/welding wire;
- 拧紧力矩: 5~14Nm;
Tightening torque: 5-14nm;
- 开关组合: 1NO;
Switch combination: 1NO;
- 外观材料: 按键: 不锈钢;
外壳: 不锈钢;
底座: PBT;
触点: 银合金;
Appearance material: Button surface: stainless steel;
Case: stainless steel;
Pedestal: PBT;
Contact silver alloy
- 未标注公差按照GB/T 1804-m级。
Unmarked tolerance shall be in accordance with GB/T 1804-m class.

					SHANGHAI HONGBO ELECTRIC CO. LTD.	
					上海红波电器有限公司	
标记		处数	更改文件号	签字	日期	名称(TITLE):
DR.	APPD.	SCALE.	countersign.	Date.		M19 Metal waterproof push button switch
制图	审核	比例	会签	日期		M19金属防水按钮开关
倪	陈秋霞	1:1		2019.12.6		图号(DWG NO):
PW.		P.				HBGQ19F-10/L/S
单重				第1页 共1页 (1/1)		

描 图

描 校

底 图 号

装 订 号