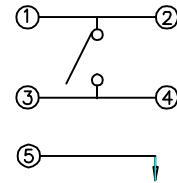
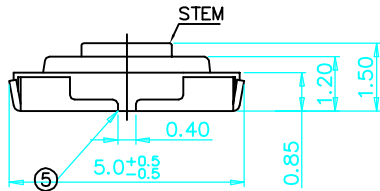
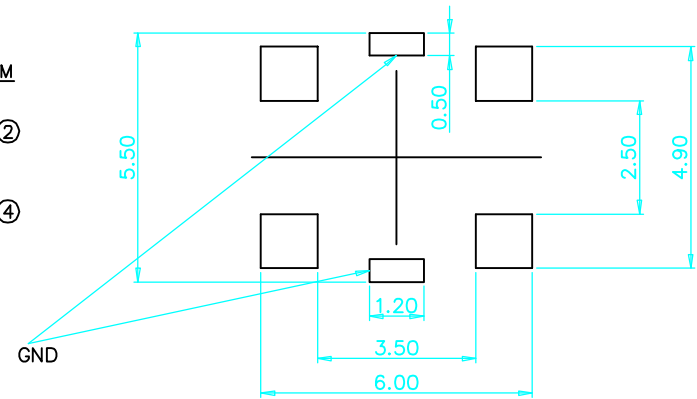


CIRCUIT DIAGRAM

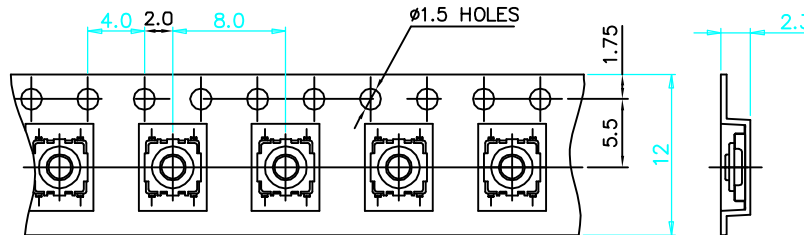
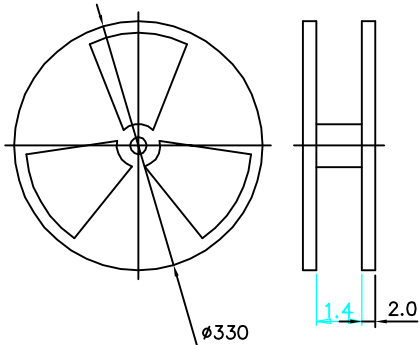


P.C.B DIMENSION



NOTE

1. OPERATING FORCE : 250 ± 30 gf
2. RATING : DC 12V 0.5A
3. TRAVEL : 0.25 ± 0.2 m/m
4. CONTACT RESISTANCE : $100 \text{m}\Omega$ MAX
5. GENERAL TOLERANCE : ± 0.3
6. MANUFACTURING SPECIFICATION WOULD BE ACCORDANCE WITH HT0105
7. REEL PACKAGE : 4.000PCS



PART NO	PART NAME	Q'TY	MATERIAL	STANDARD	DISPOSITION	REMARKS
△			TRIGON-OMETRY	UNIT SCALE 1/1	SMD TACT SWITCH DUST PROOF TYPE	
△			APPD	CHKD DSGD		
△					MODEL	INT-1187FUB15B
△						
NO	CORRECTION	99.4.20				