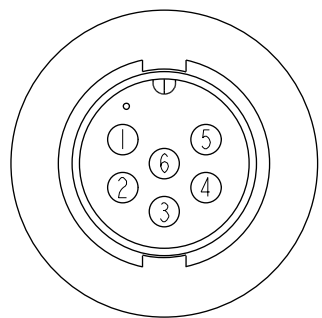
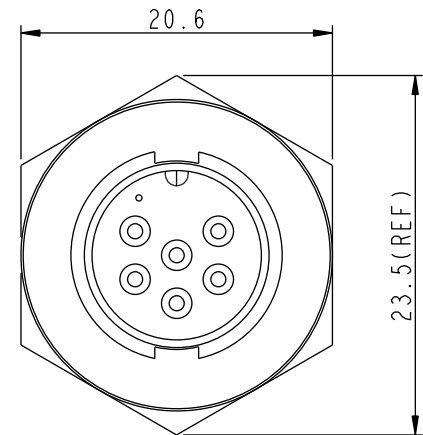
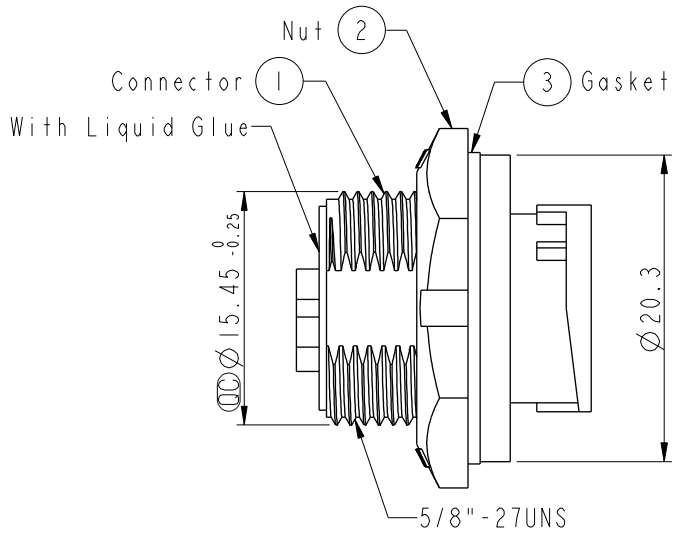
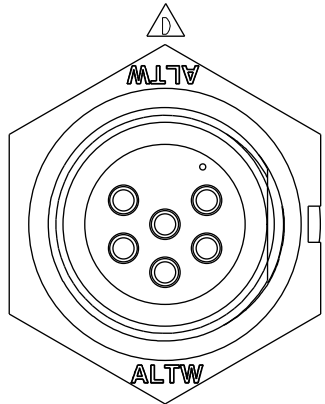
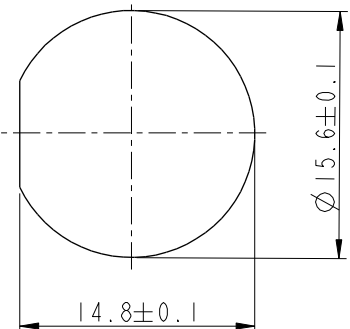


ALTW
 CONFIDENTIAL
 2019-02-25
 R&D DEPT.

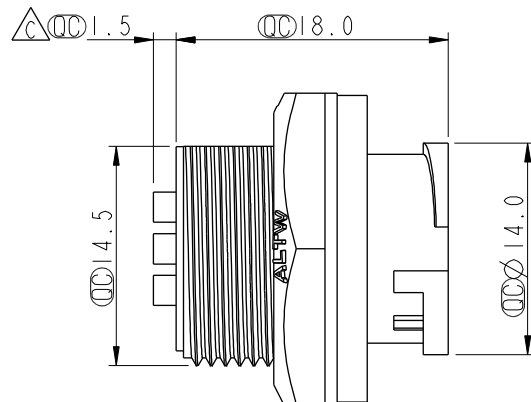
REV.	ECN NO.	DATE	SIGN	DESCRIPTION
B	LEN-8B0549	2008/09/17	Shin	Add Note and Update Drawing to New Format
C	LEN-940079	2009/03/19	LiuShuYun	Change Size 1.50 to 1.5
D	CI90273	2019/02/25	Ruru	Modify Note & Change Logo



Pin Assignments
 Front View



Recommended Panel Cut-out



Note: \triangle

- * CC Important Dimension To Check.
- * Waterproof Rate: IP67, Unmated
- * Housing: Thermoplastic, Black
- * Pin: Copper Alloy, Gold Plated
- * Nut: Thermoplastic, Black
- * Gasket: Rubber, Black
- \triangle * Use With Waterproof Cap Or Dust Cap
 Panel Thickness Max: 4.0mm
- \triangle * Use Without Waterproof Cap Or Dust Cap
 Panel Thickness Max: 5.0mm
- * Gasket and Nut are packed separately
 in PE bags.

UNIT:mm		
TOLERANCE	.X ±0.25	
	.XX ±0.1	
	.XXX ±0.05	
ANGLES	±1°	

TITLE Standard, Rear Lock 6P M Conn M Pin			
SCALE 2:1	SIZE A4	SHEET 1 OF 1	
REV. D	WC-REV. A.2	CC : Inspection item	

Amphenol LTW
 安費諾亮泰企業股份有限公司

ITEM NO BD-06RMMS-LC7001	DRAWN BY Ruru	DATE 2019-02-25
DWG NO BD-06RMMS-LC7001	CHECKED BY Rita	DATE 2019-02-25
CUSTOMER ALTW	APPROVED BY Max	DATE 2019-02-25

THIS DOCUMENT IS SUBJECT TO CHANGE WITHOUT NOTICE. IT IS CONFIDENTIAL AND A PROPERTY OF Amphenol LTW. DISCLOSURE TO THIRD PARTY HAS TO BE AUTHORIZED BY Amphenol LTW.