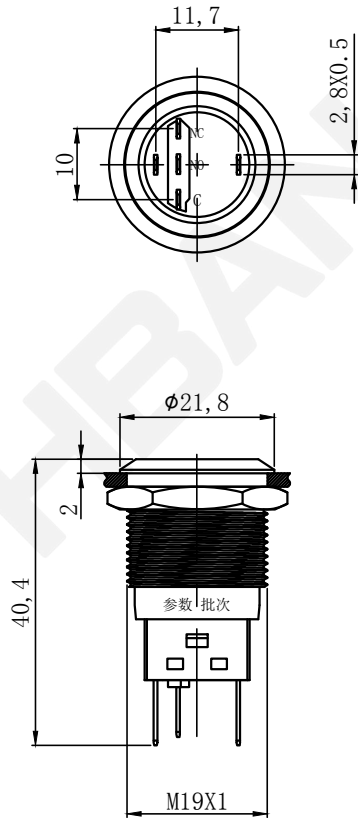
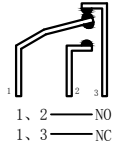


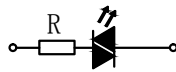
UNIT: mm (毫米)



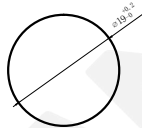
开关结构说明:
Switch structure description:



灯珠等效电路:
Lamp bead equivalent circuit:



安装孔尺寸:
Mounting hole size:



HBAN
红波

Technical requirements:

- The surface is smooth without burr
- Rated voltage: 1th: 5A Ui: 250V
- Working environment temperature: -25 ~ +65
- Operation type: Momentary; Latching
- Movement stroke: About 3.2 mm
- Connection form: Matching connectors/Welding wire
- Tightening torque: about 0.6 nm
- Contact configuration: 1N01NC
- Appearance material:
Button surface: PC/Nickel-plated brass/Stainless steel/Aluminum
Housing: Nickel-plated brass/Stainless steel/Aluminum
Base: PBT
Contact: Silver alloy
- Lamp bead parameters:
Rated voltage: 6V/12V/24V/36V; 110V/220V; Other voltages can be customized
Rated current: 20 mA
- LED Color: Red/Green/Yellow/Orange/Blue/White
- LED Life: 50,000 hours

Performance requirements:

- Protection grade: IP67
- Contact resistance: 50 m
- Insulation resistance: 100 m
- Dielectric Intensity: AC2500V, 1 min, No flicker or breakdown
- Life:
Electrical part: No abnormal movement for 50,000 times, under rated load
Mechanical part: No abnormal movement for 1000,000 times

描 图
描 校
底 图 号
装 订 号

					SHANGHAI HONGBO ELECTRIC CO. LTD.
					上海红波电器有限公司
标记	处数	更改文件号	签字	日期	名称(TITLE): M19 Emergency stop button switch
制图	审核	SCALE. 比例	counter sign. 会签	日期	M19金属防水按钮开关
倪力晓	陈秋霞	1:1		2019.12.4	图号(DWG NO): HBS1-AGQ19F-11E(Z)/J
PW. 单重		P. 页码	第1页 共1页(1/1)		