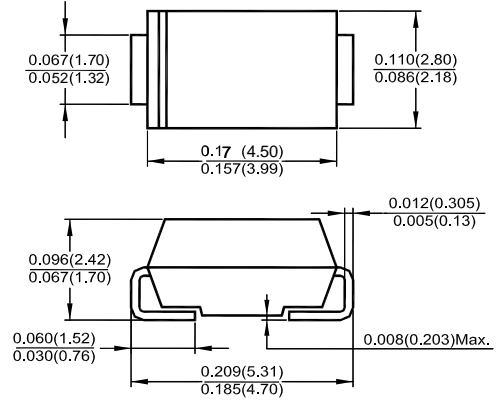


SCHOTTKY DIODES

SK32A---SK36A

FEATURES

- Plastic package has Underwriters Laboratory Flammability Classification 94V-0
- For surface mounted applications
- Metal silicon junction, majority carrier conduction
- Built-in strain relief, ideal for automated placement
- Low power loss, high efficiency.
- High forward surge current capability



Dimensions in inches and (millimeters)  
DO-214AC (SMA)

MECHANICAL DATA

- SMA (DO-214AC) molded plastic body
- leads solderable per MIL-STD-750, Method 2026
- color band denotes cathode end

MAXIMUM RATINGS AND ELECTRICAL CHARACTERISTICS

Ratings at 25 °C ambient temperature unless otherwise specified. Single phase, half wave, 60 Hz, resistive or inductive load. For capacitive load, derate current by 20%.

| Characteristic  | Symbol       | SK32A        | SK33A | SK34A | SK35A | SK36A | Unit |
|---|--------------|--------------|-------|-------|-------|-------|------|
| Maximum Recurrent Peak Reverse Voltage  | VRRM         | 20           | 30    | 40    | 50    | 60    | V    |
| Maximum RMS Voltage   | VRMS         | 14           | 21    | 28    | 35    | 42    | V    |
| Maximum DC Blocking Voltage   | VDC          | 20           | 30    | 40    | 50    | 60    | V    |
| Maximum Average Forward Rectified Current (See Fig. 1)  | I(AV)        | 3.0          |       |       |       |       | A    |
| Peak Forward Surge Current 8.3 ms single half sine wave superimposed on rated load (JEDEC Method) | IFSM         | 100          |       |       |       |       | A    |
| Maximum Instantaneous Forward Voltage at 3.0A (See Note 1)  | VF           | 0.50         |       |       | 0.75  |       | V    |
| Maximum DC Reverse Current at Rated DC Blocking Voltage (See Note 1)                              | IR           | 0.5<br>20    |       |       |       |       | mA   |
| Maximum Thermal Resistance (See Note 2)   | ROJL<br>ROJA | 10<br>60     |       |       |       |       | °C/W |
| Typical Junction Capacitance (See Note 3)   | CJ           | 300          |       |       |       |       | pF   |
| operating and Storage Temperature Range   | TJ, TSTG     | - 65 to +150 |       |       |       |       | °C   |

**SK32A---SK36A Typical Characteristics**

