

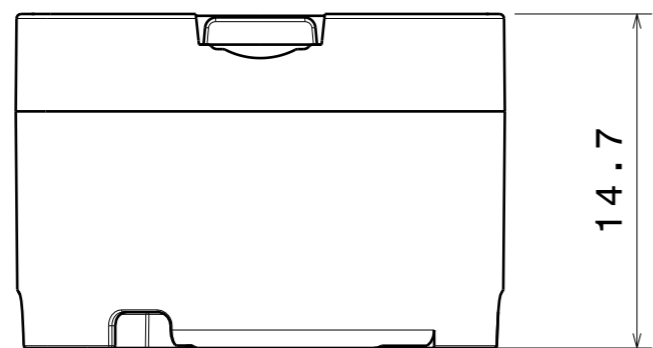
DETAILS

| | |
|------------------------|-------------------|
| Product Number | CP11634_LXP3-O-90 |
| Family | Leila |
| Type | Assembly |
| Color | white |
| Diameter | 21,6 mm |
| Height | 14,7 mm |
| Style | round |
| Optic Material | PMMA |
| Holder Material | |
| Fastening | glue |
| Status | production ready |
| ROHS Compliant | Yes |
| Date Updated | 10/04/2014 |

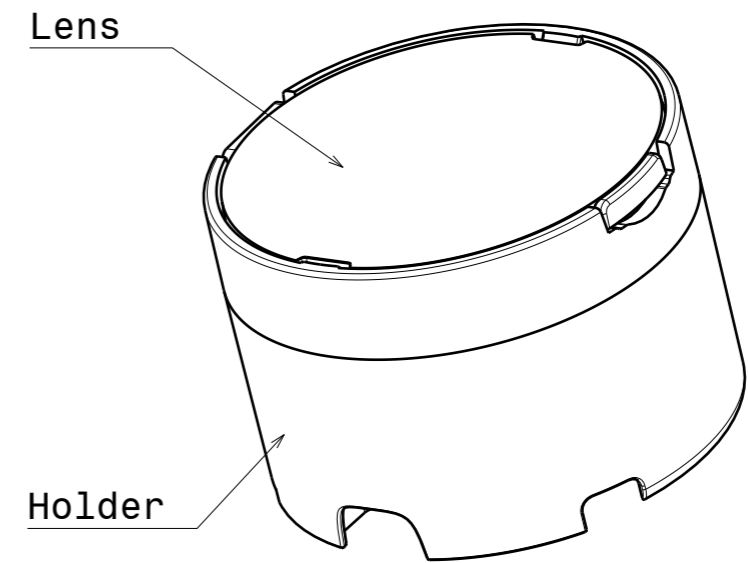


OPTICAL PROPERTIES

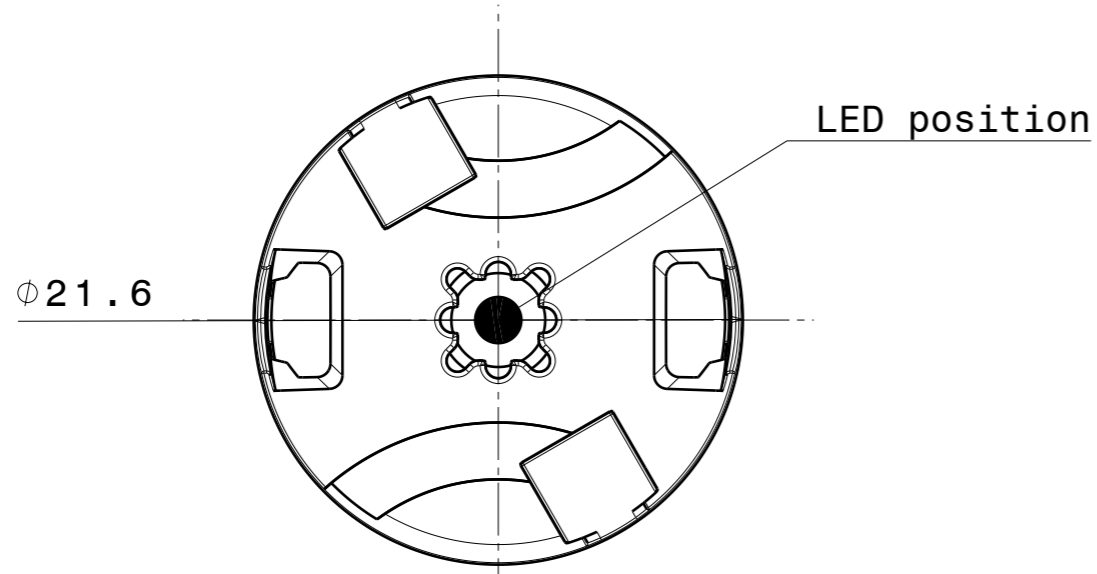
| LED | Viewing Angle | Light Beam | Efficiency | cd/lm | Connector |
|---------|---------------|------------|------------|-------|-----------|
| XP-G | 12+40 deg | O-90 | 93 % | 4.600 | - |
| XP-E | 9+41 deg | O-90 | 93 % | 5.800 | - |
| XT-E | 13+41 deg | O-90 | 91 % | 4.050 | - |
| XP-G2 | 12+40 deg | O-90 | 91 % | 4.400 | - |
| XP-E2 | 10+42 deg | O-90 | - | 6.200 | - |
| XP-L HI | 12+44 deg | O-90 | 90 % | 4.000 | - |
| Z5 | sim: 10+34 | O-90 | sim: 84 % | - | - |



Front view
Scale: 3:1


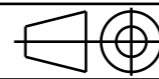


Isometric view
Scale: 3:1

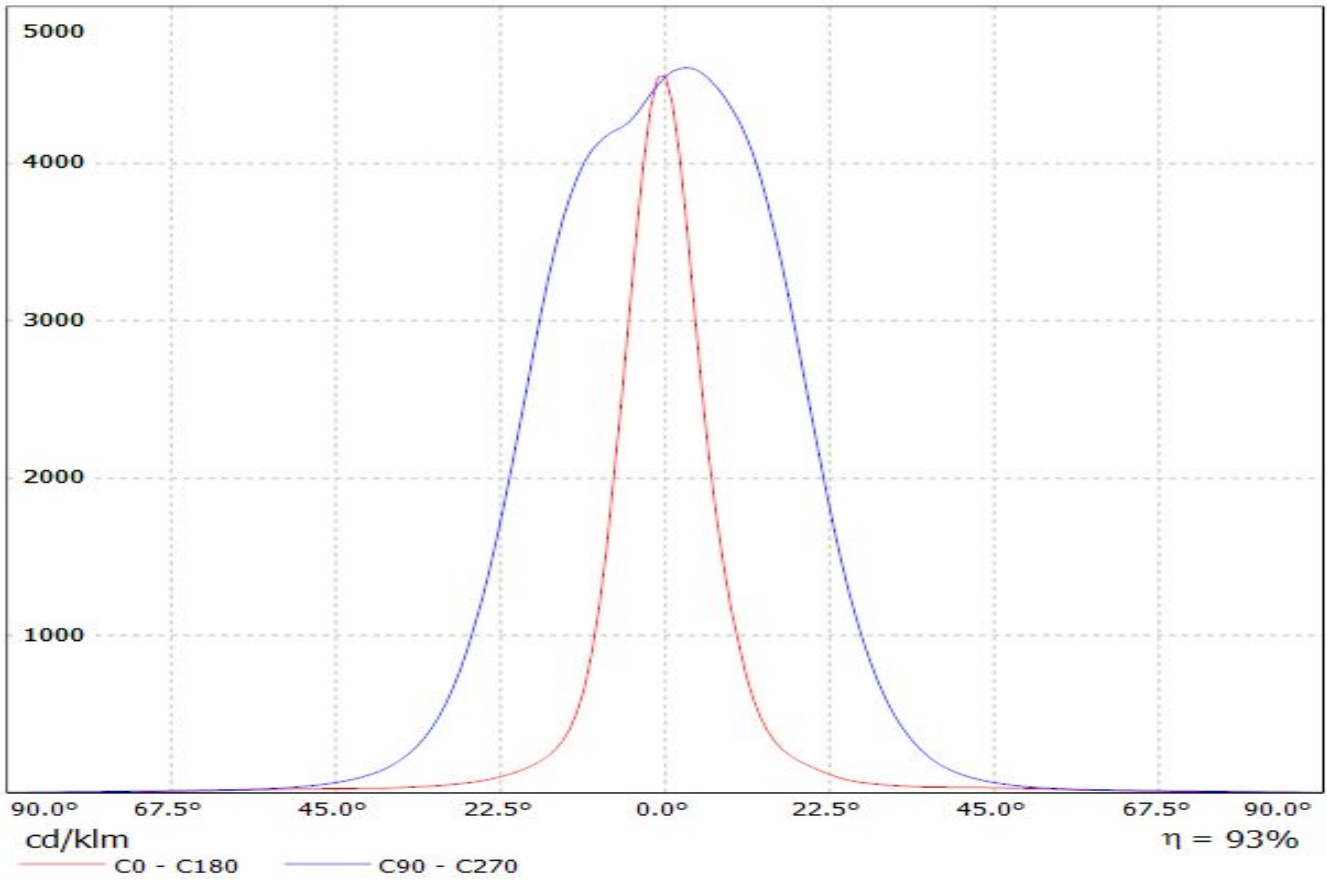


Bottom view
Scale: 3:1

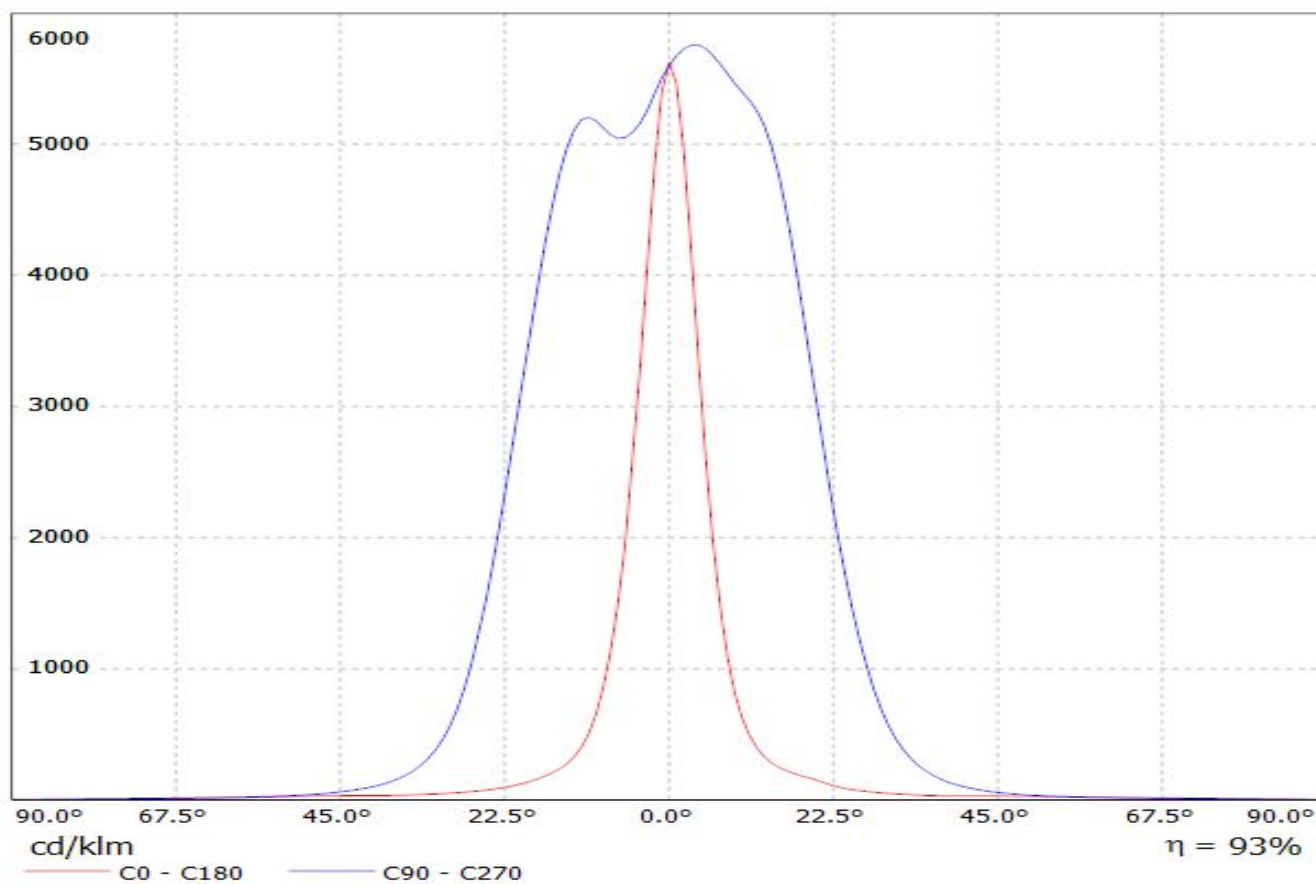
| INDEX | PART NO | MATERIAL | COLOUR |
|-------|---------|------------------|--------|
| 1 | Lens | PMMA 8N | |
| 2 | Holder | PC Makrolon 2407 | white |

| | | | |
|---|--|---|---------------------------------|
| Tolerances if not otherwise shown According to DIN ISO 2768-1 Linear measures: Up to 30mm class M, otherwise class C. According to DIN ISO 2768-2 Form and position: class L | |  Ledil Oy Salorankatu 10 FIN 24240 SALO Finland | |
| THIRD ANGLE PROJECTION:  | | DRAWING TITLE Datasheet_LXP3-Series | |
| This drawing is the property of LEDiL Oy. It may not be reproduced, copied or communicated without a written agreement with LEDiL Oy. | | SIZE A3 | PART NUMBER Datasheet |
| | | SCALE 3:1 | WEIGHT 7,49 g |
| | | SHEET 1/1 | |

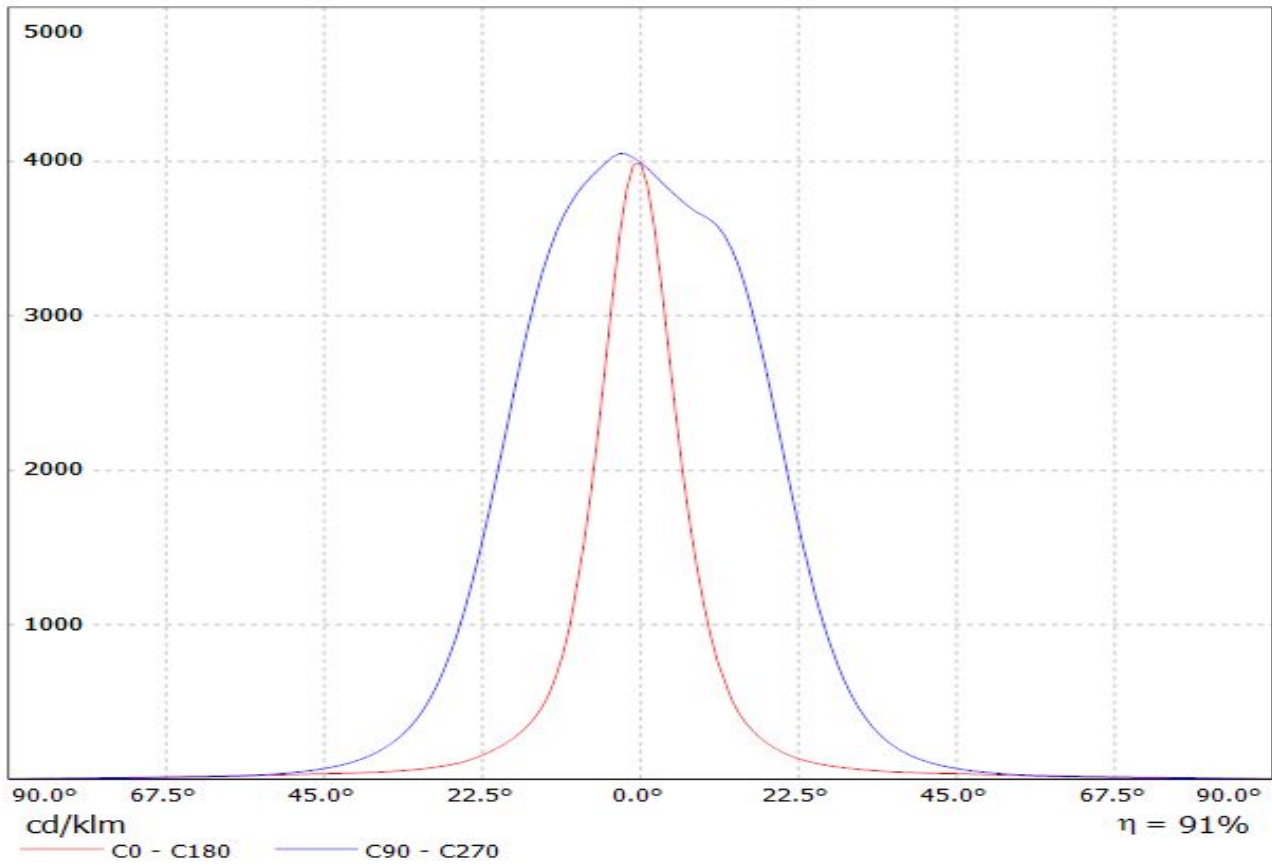
Luminaire: LEDiL Oy CP11634_LXP3-O-90_(XP-G) Eff. 93%
Lamps: 1 x Cree XP-G (66lm@250mA) CCT=warm white P=0.8W I=250mA



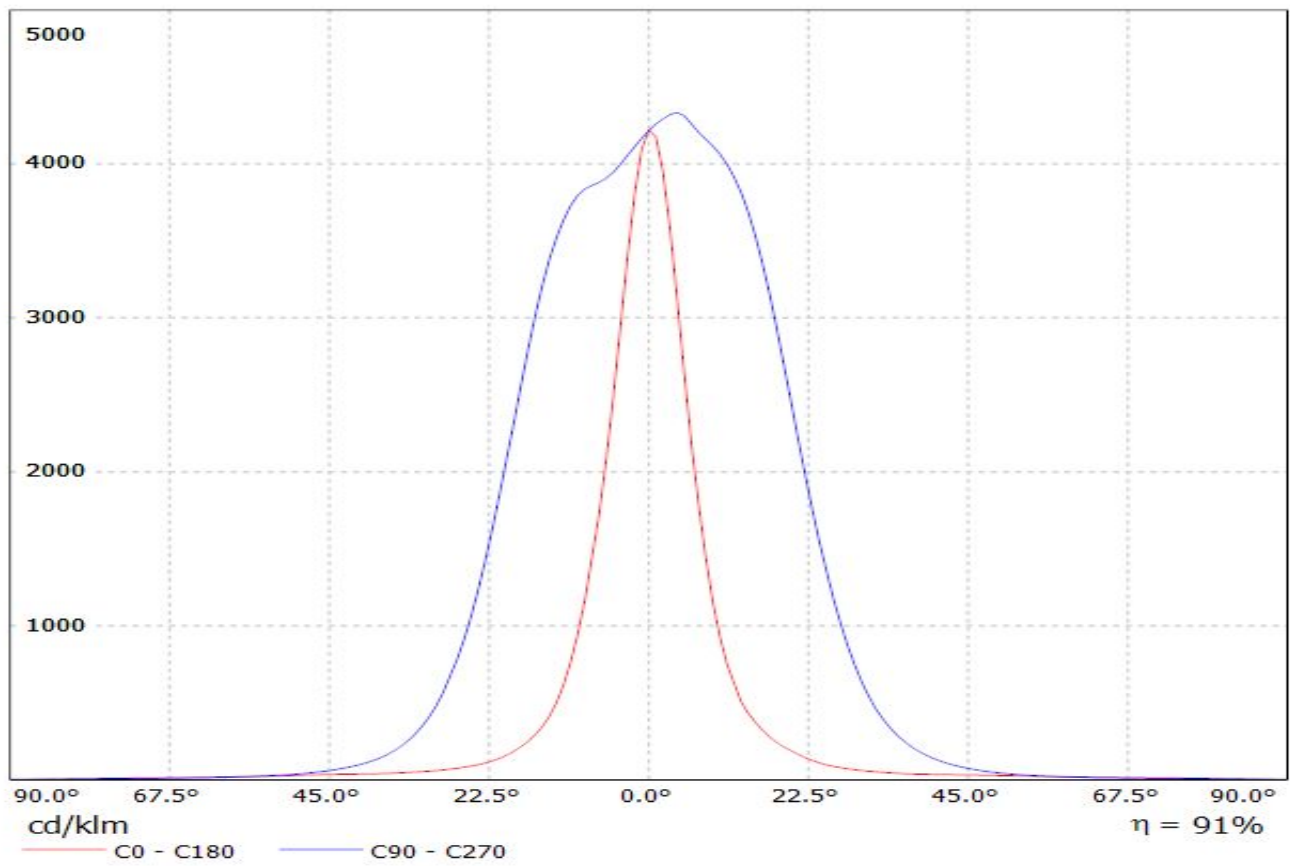
Luminaire: LEDiL Oy CP11634_LXP3-O-90_(XP-E) Eff. 93%
Lamps: 1 x Cree XP-E (50,4lm@250mA) CCT=warm white P=0.8W I=250mA



Luminaire: LEDiL Oy CP11634_LXP3-O-90_(XT-E) Eff. 91%
Lamps: 1 x XT-E (106,1lm@250mA) CCT=Cool white P=0.8W I=250mA



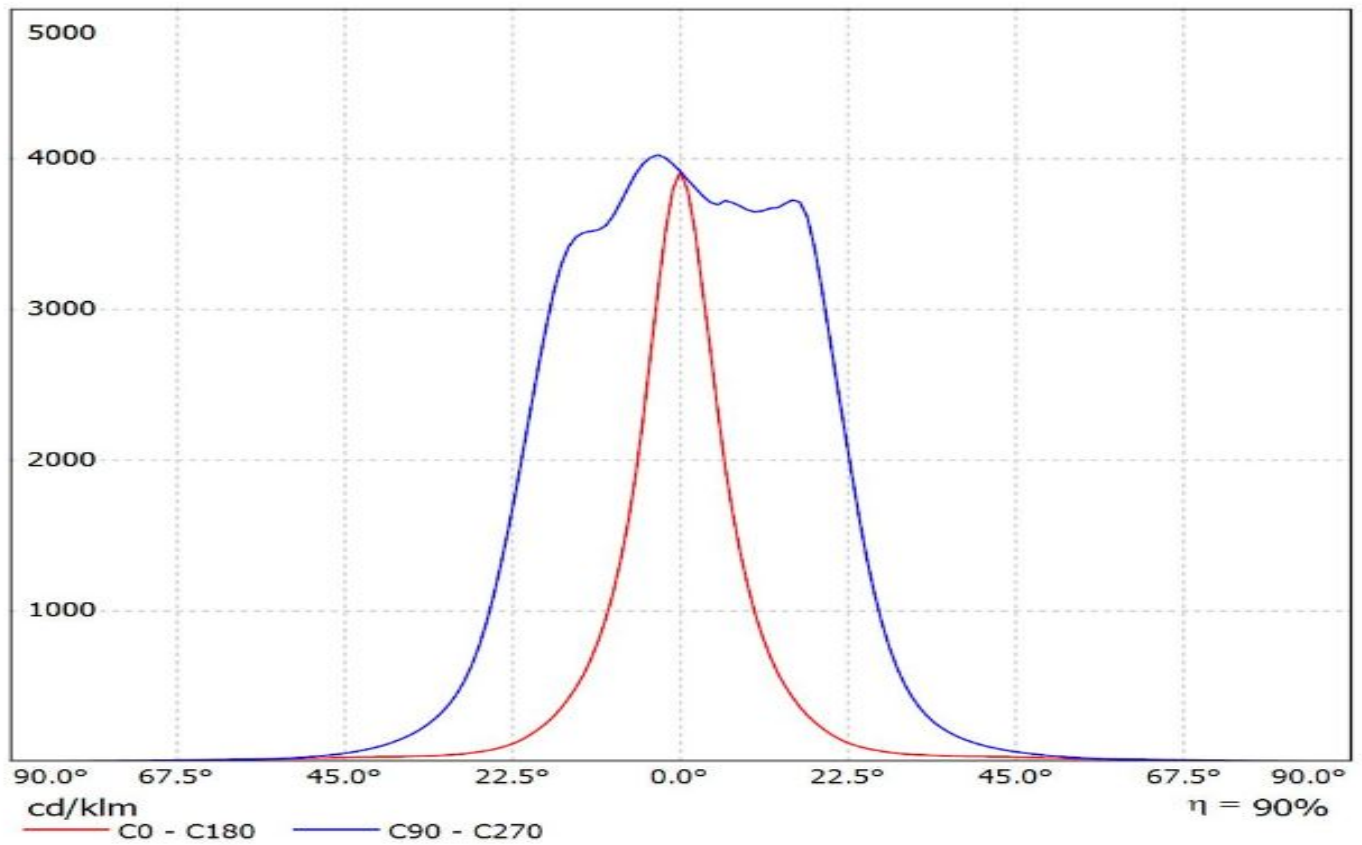
Luminaire: LEDiL Oy CA11484_LXP2-O-90_(XP-G2) Eff. 91%
Lamps: 1 x CREE XP-G2 (XPGBWTL1-0000-00G51) 103.363lm@250mA CCT=5000K P=0.8W I=250mA



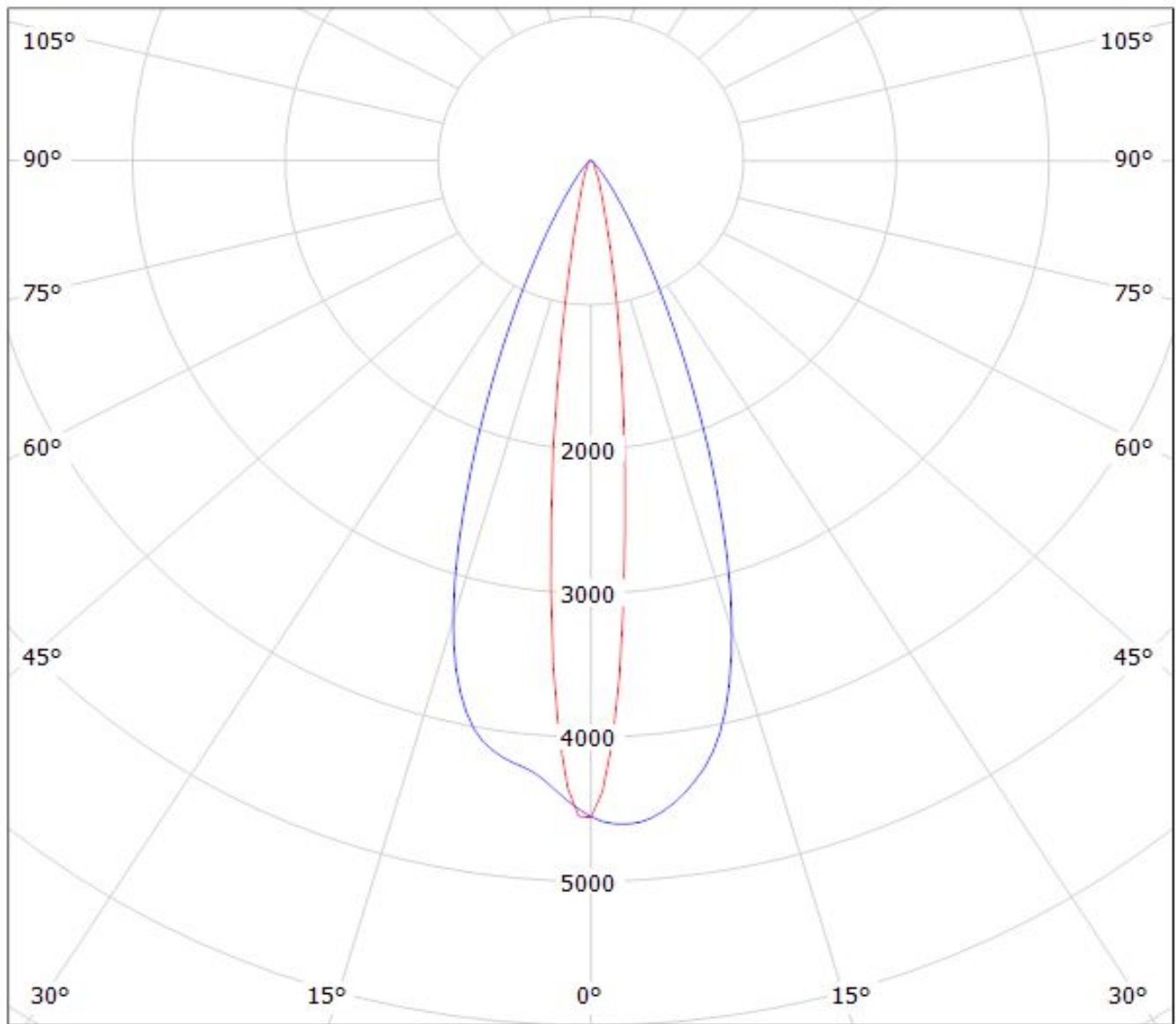
Ledil CP11634_LXP3-O-90_(XP-L_HI) / LDC (Linear)

Luminaire: Ledil CP11634_LXP3-O-90_(XP-L_HI)

Lamps: 1 x CREE_XP-L_HI_116.971lm@250mA_P=0.75W_I=0.25A



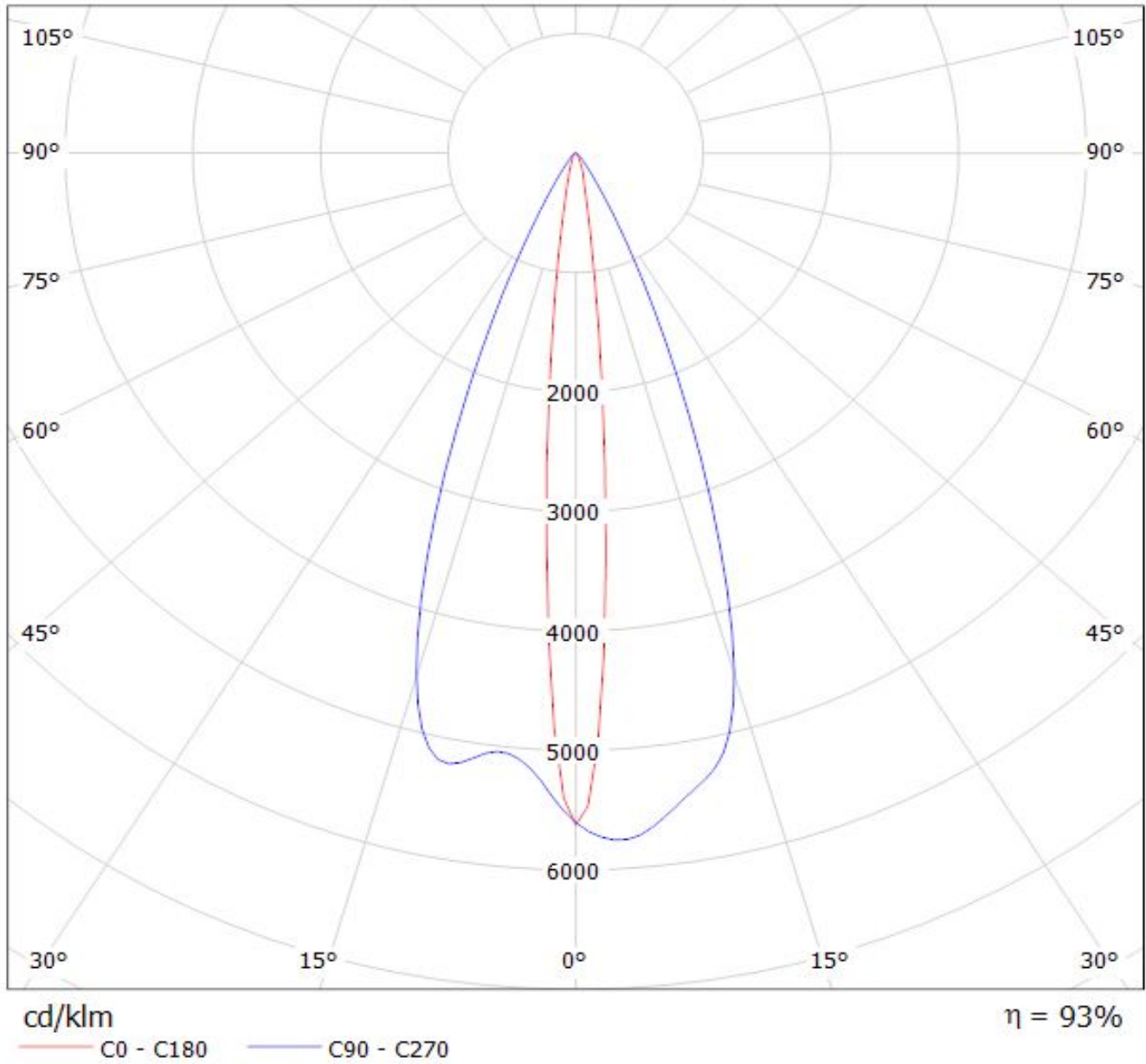
Luminaire: LEDiL Oy CP11634_LXP3-O-90 (XP-G) Eff. 93%
Lamps: 1 x Cree XP-G (66lm@250mA) CCT=warm white P=0.8W I=250mA



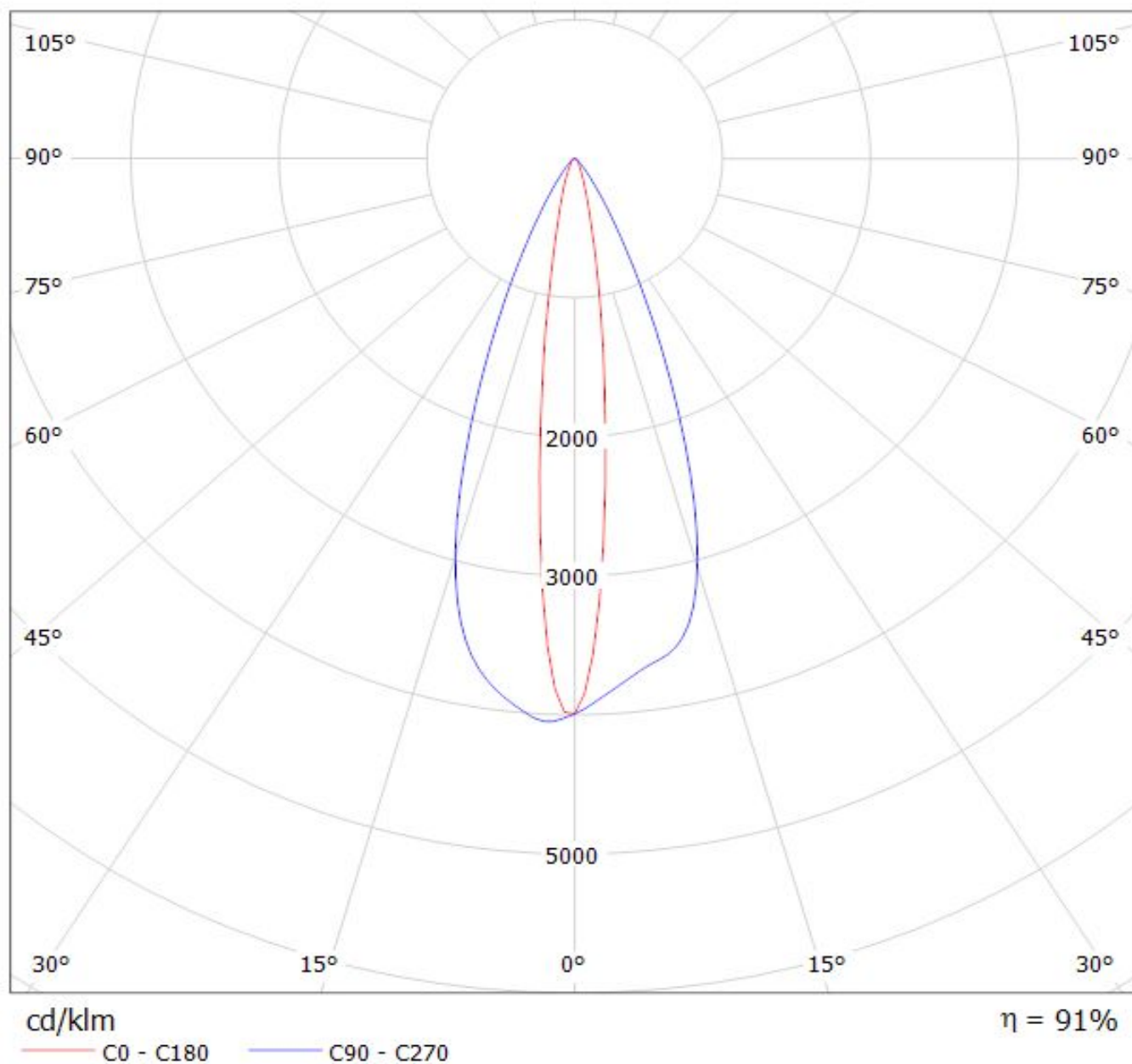
$\eta = 93\%$

cd/klm
— C0 - C180 — C90 - C270

Luminaire: LEDiL Oy CP11634_LXP3-O-90_(XP-E) Eff. 93%
Lamps: 1 x Cree XP-E (50,4lm@250mA) CCT=warm white P=0.8W I=250mA

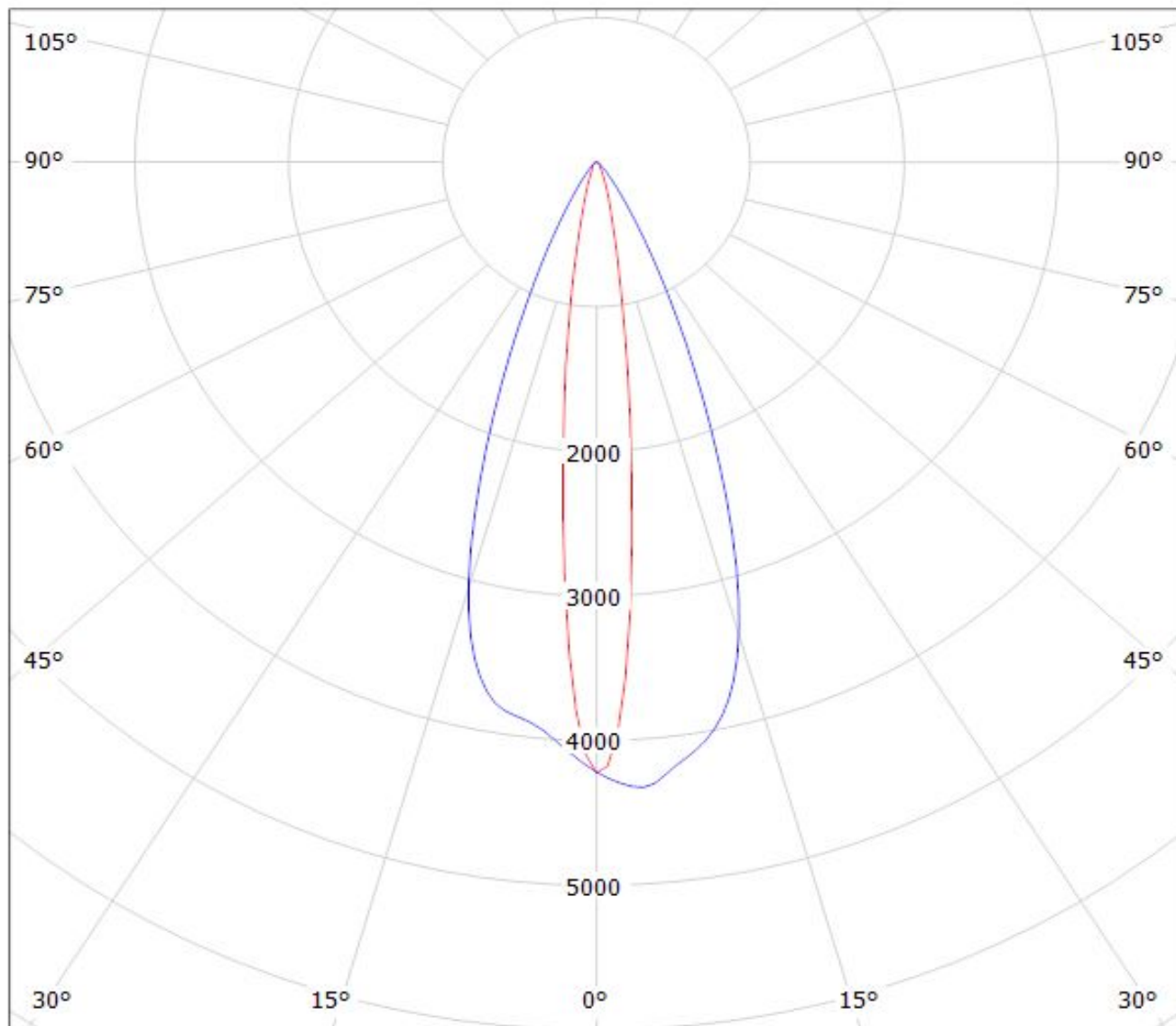


Luminaire: LEDiL Oy CP11634_LXP3-O-90_(XT-E) Eff. 91%
Lamps: 1 x XT-E (106,1lm@250mA) CCT=Cool white P=0.8W I=250mA



Luminaire: LEDiL Oy CA11484_LXP2-O-90_(XP-G2) Eff. 91%

Lamps: 1 x CREE XP-G2 (XPGBWT-L1-0000-00G51) 103.363lm@250mA CCT=5000K P=0.8W I=250mA



cd/klm

— C0 - C180

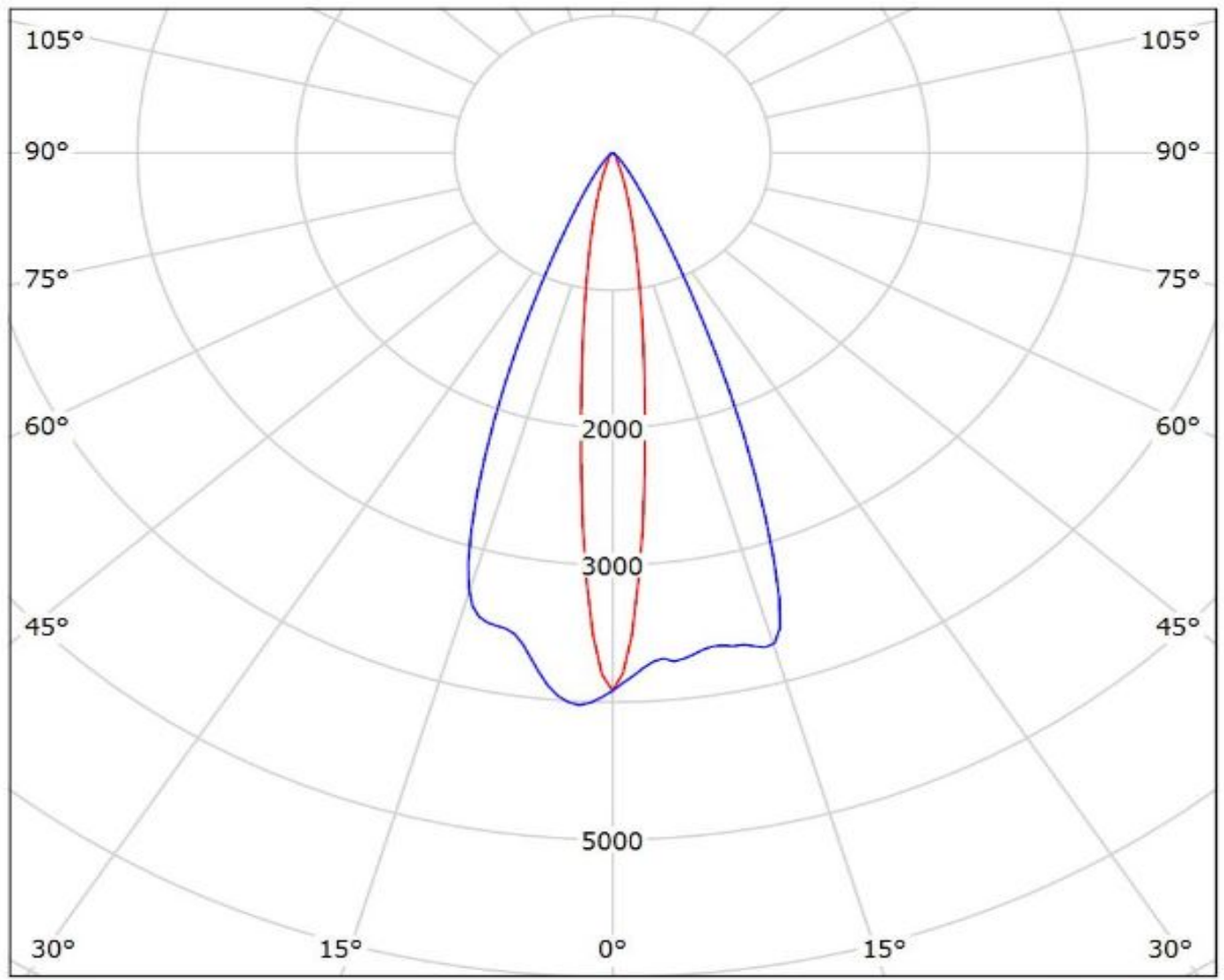
— C90 - C270

$\eta = 91\%$

Ledil CP11634_LXP3-O-90_(XP-L_HI) / LDC (Polar)

Luminaire: Ledil CP11634_LXP3-O-90_(XP-L_HI)

Lamps: 1 x CREE_XP-L_HI_116.97lm@250mA_P=0.75W_I=0.25A



cd/klm

— C0 - C180 — C90 - C270

$\eta = 90\%$

NOTE: The typical divergence will be changed by different color, chip size and chip position tolerance. The typical total divergence is the full angle measured where the luminous intensity is half of the peak value.