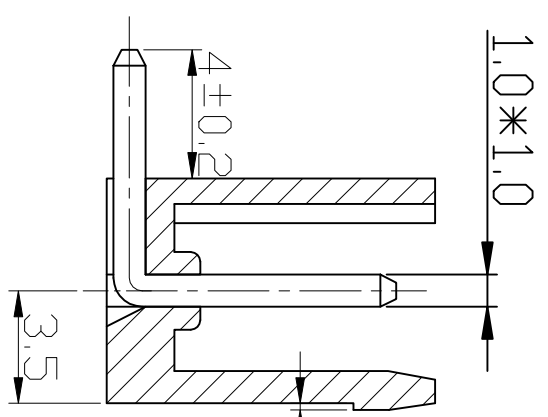
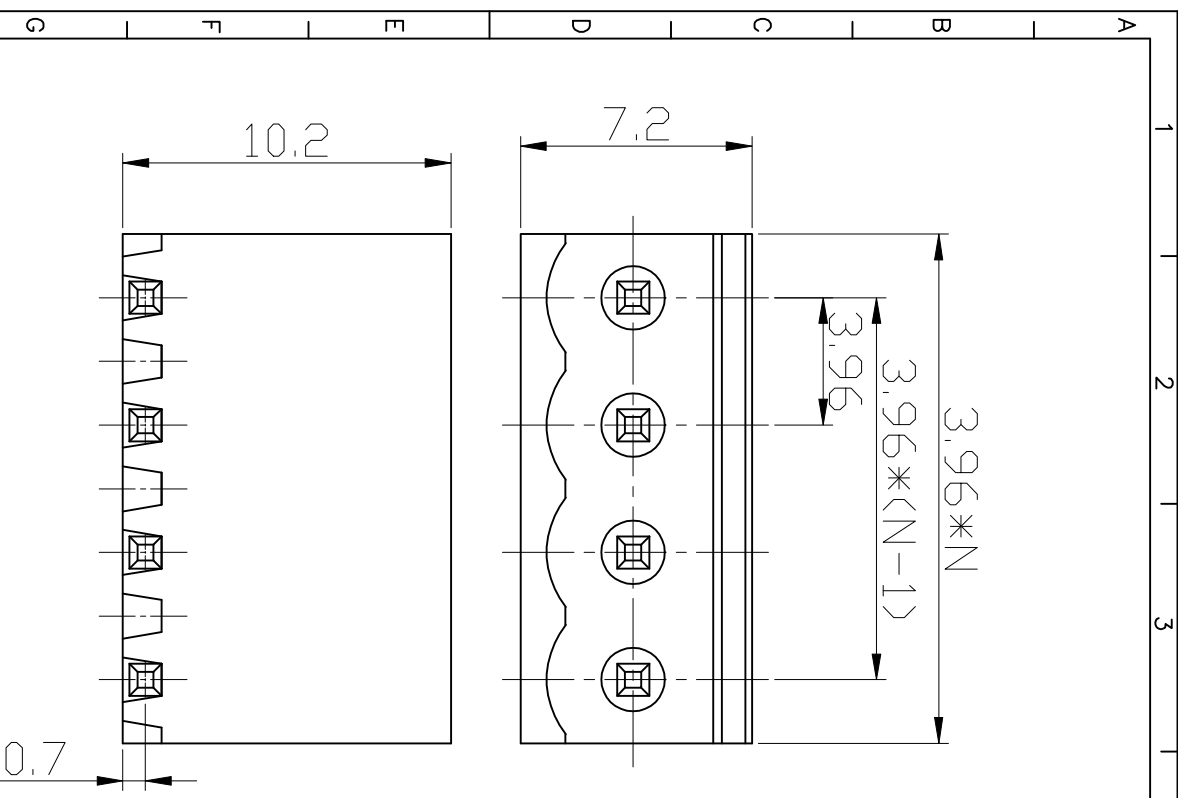


REV.	DESCRIPTION	DRAWN	CHECKED	APPROVED

Material  
Pin Header: Brass, Tin Plated  
Housing: PA66, UL94V-0  
Electrical  
Rated Voltage: 150V  
Rated Current: 8A  
Contact Resistance: 20mOhm  
Insulation Resistance: 5000MOhm/1000V  
Withstanding Voltage: AC 1500V/1Min  
Mechanical  
Temp. Range: -40C - +150C  
Max. Soldering: +250C for 5sec



GENERAL TOLERANCE	ANGLE TOLERANCE	TOLERANCE
X. ±0.20	X. ±2°	
.X. ±0.15	X. ±1°	
.XX ±0.10	.XX ±0.5°	
DRAWING TYPE	SHEET	1 OF 1
SCALE	1:1	
DRAWING NO.		

**KAIFENG ELECTRONIC**  
**慈溪市凯峰电子有限公司**  
**KAIFENG ELECTRONIC CO.,LTD**

PROJECTION	UNIT	TITLE
UNITS	mm	PLUGGABLE TERMINAL BLOCKS
SHEET SIZE	A4	PITCH 3.96MM
SERIES	HT396R SERIES	