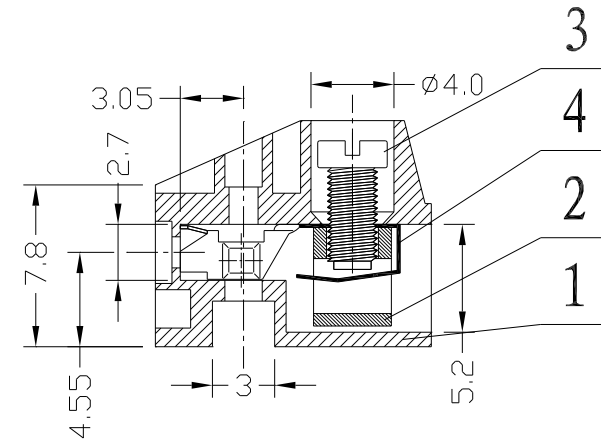
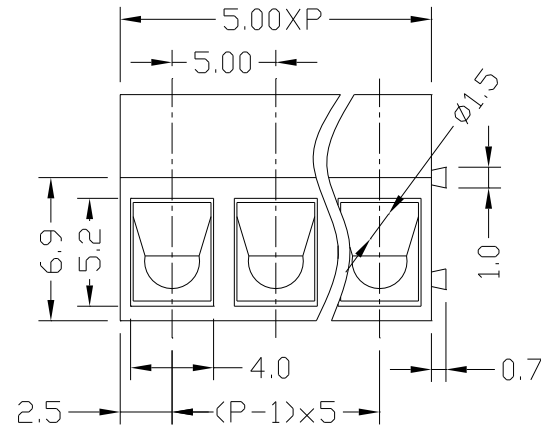


序号/RevNo.	名称/Title	文件编号/File No.
1	XY332塑件	
2	XY332铜方块	
3	XY332螺丝	
4	XY332簧片	



250V 10A 1.5mm<sup>2</sup>

Poles: 2P&3P

Pitch: 5mm&10mm

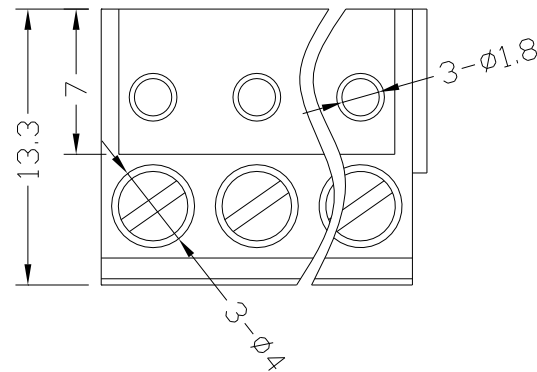
## Materials

Housing: PBT(30% Glass filled)

Clamp: 0.2t,Stainless steel.

Wire Cage: Brass,Tin Plated.

Screw: M2.5,Steel,Zinc Plated.



设计/Designed by	绘图/Drawing by	审核/Checked by	批准/Approved by	未注公差 General Tolerance	
		图名/Title	文件编号/File No.	x. ±0.2	x.' ±2°
		XY332产品图		.x ±0.1	.x' ±1°
		备注/Remark	页序/Sheet	.xx ±0.05	.xx' ±0.5°
				.xxx ±0.01	
				单位/Units: mm	

序号/RevNo.	更改记录/Revision note	签名/Signature	日期/Date