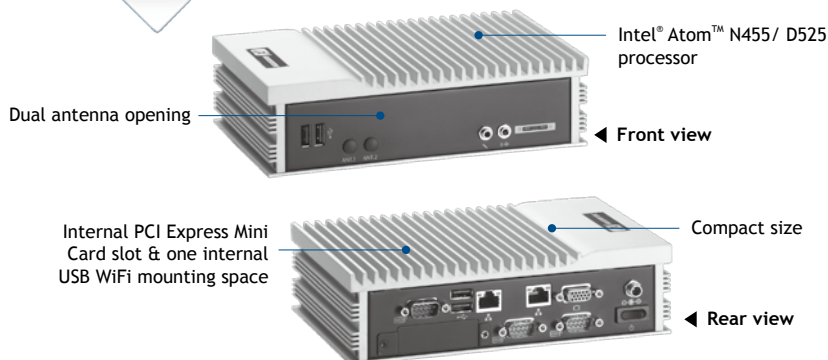


eBOX620-801-FL

Fanless Embedded System with Intel® Atom™ Processor
N455/ D525 up to 1.8 GHz and Dual Display Support (optional)



Specifications

Standard Color	Silver-Black
Construction	Aluminum extrusion and heavy-duty steel, IP40
CPU	Intel® Atom™ processor N455 1.66 GHz single core/ D525 1.8 GHz dual core
System Memory	1 x 204-pin DDR3-667/800 SO-DIMM up to 4 GB (N455 supports DDR3-667 max. up to 2 GB, D525 supports DDR3-800 max. up to 4 GB)
Chipset	Intel® ICH8M
BIOS	AMI
System I/O Outlet	1 x RS-232/422/485 (COM 1) 2 x RS-232 (COM 2/COM 3) 1 x VGA 1 x DVI (optional) 1 x Audio (Mic-in/Line-out) 2 x 10/100/1000Mbps Ethernet 4 x USB 2.0 1 x V _{dc} power input connector 1 x ATX power switch 2 x SMA antenna opening
Watchdog Timer	255 levels, 1 - 255 sec.
Storage Supports	1 x 2.5" SATA HDD drive bay 1 x CompactFlash™
Expansion Interface	1 x PCI Express Mini Card (USB + PCI Express signal) 1 x internal USB WiFi mounting space
System Indicator	1 x green LED for system power-on 1 x orange LED for HDD active
Power Supply	Screw type AC 60W adapter Input: AC 90-264V Output: DC12V@5A
Operating Temperature	-10°C ~ +50°C (14°F ~ 122°F) (with Atom™ D525 1.8 GHz, W.T. HDD) -10°C ~ +55°C (14°F ~ 131°F) (with Atom™ N455 1.66 GHz, W.T. HDD)
Storage Temperature	-20°C ~ +80°C (-4°F ~ +176°F)
Humidity	10% ~ 90% , non-condensing
Vibration Endurance	2 Grms with CF (5-500Hz, X, Y, Z directions)
Dimensions	200 mm (7.87") (W) x 120 mm (4.72") (D) x 56 mm (2.2") (H)
Weight (net/gross)	1.98 kg (4.36 lb)/2.6 kg (5.73 lb)
Certification	CE
EOS Support	XPE, WinCE, Linux

* XPE: Windows® XP Embedded

Packing List

1 x quick manual
1 x driver CD
1 x screw pack
4 x foot pad
2 x thermal Pad
1 x power adapter
2 x CF mylar
1 x HDD Mylar
1 x US power cord



Features

- Supports Intel® Atom™ processor N455 1.66 GHz/ D525 1.8 GHz
- Intel® ICH8M chipset
- Supports 4 USB 2.0 ports and 3 COM ports
- Fanless operation design with full feature I/O
- High Performance DDR3 SO-DIMM (N455 supports DDR3-667 max. up to 2 GB, D525 supports DDR3-800 max. up to 4 GB)
- One 2.5" SATA drive bay and one CompactFlash™ 2.0 slot
- One internal PCI Express Mini Card slot & one internal USB WiFi mounting space

Power Protection

AC Version

OVP (over voltage protection)	OCP (over current protection)
SCP (short circuit protection)	

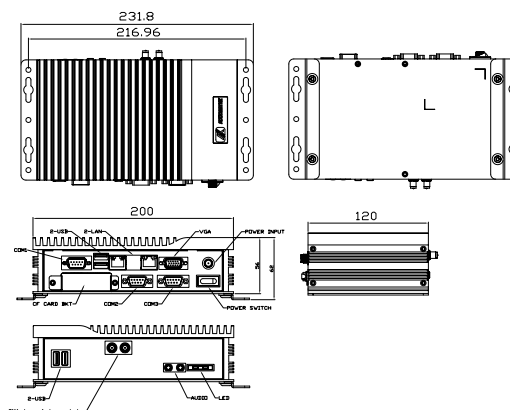
Ordering Information

Standard	
eBOX620-801-FL-D525-RC	Fanless embedded system with Intel® Atom™ D525 1.8 GHz, VGA, AC 60W adapter, CF & HDD support
eBOX620-801-FL-D525-RC w/o Logo	Fanless embedded system with Intel® Atom™ D525 1.8 GHz, VGA, AC 60W adapter, CF & HDD support and w/o logo
eBOX620-801-FL-N455-RC	Fanless embedded system with Intel® Atom™ N455 1.66 GHz, VGA, AC 60W adapter, CF & HDD support
eBOX620-801-FL-N455-RC w/o Logo	Fanless embedded system with Intel® Atom™ N455 1.66 GHz, VGA, AC 60W adapter, CF & HDD support and w/o logo

Optional	
2.5" SATA HDD	40 GB or above
DDR3 SO-DIMM	Max. up to 2 GB
CompactFlash™	1 GB or above
Din rail kit	
Wall mount kit	
VESA mount kit	
Power cord	

*Specifications and certifications are based on options and may vary.

Dimensions



*All specifications and photos are subject to change without notice.
© 2011 Axiomtek Co., Ltd. All rights reserved.

Overview

Embedded Systems

Embedded Systems for Transportation

Embedded Field Controllers

Embedded MicroBoxes

Industrial Barebone Systems

Industrial Chassis

Industrial Workstations

Backplanes

Power Supplies

Peripherals & Accessories