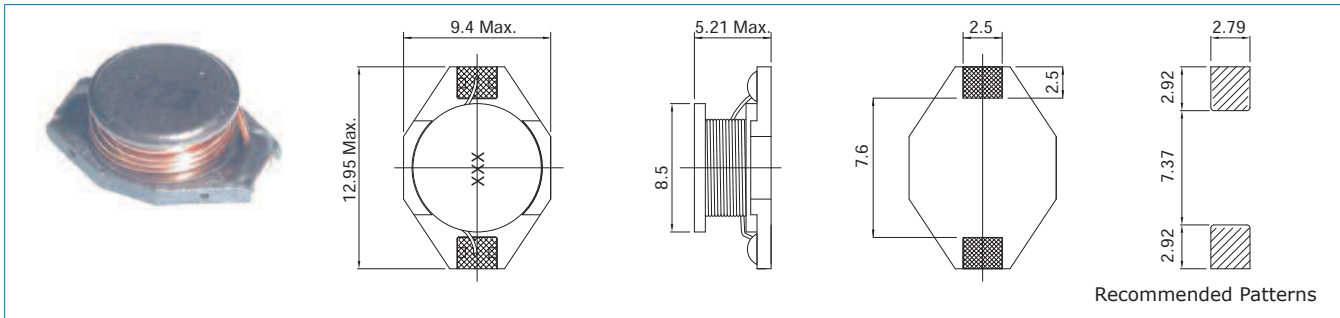


Mechanical Dimensions (Unit: mm)



Electrical Specification

Part No.	Marking	Inductance (uH)	Test Freq. (KHz)	DCR (Ohm) Max	Rated Current (A)	Isat (A)
CSN084F-1R0M -LRH	1R0	1.0	100	0.009	6.80	9.00
CSN084F-1R5M -LRH	1R5	1.5	100	0.010	6.40	8.00
CSN084F-2R2M -LRH	2R2	2.2	100	0.012	6.10	7.00
CSN084F-3R3M -LRH	3R3	3.3	100	0.015	5.40	6.40
CSN084F-4R7M -LRH	4R7	4.7	100	0.018	4.80	5.40
CSN084F-6R8M -LRH	6R8	6.8	100	0.027	4.40	4.60
CSN084F-100M -LRH	100	10	100	0.038	3.90	3.80
CSN084F-150M -LRH	150	15	100	0.046	3.10	3.00
CSN084F-220M -LRH	220	22	100	0.085	2.70	2.60
CSN084F-330M -LRH	330	33	100	0.100	2.10	2.00
CSN084F-470M -LRH	470	47	100	0.140	1.80	1.60
CSN084F-680M -LRH	680	68	100	0.200	1.50	1.40
CSN084F-101M -LRH	101	100	100	0.280	1.30	1.20
CSN084F-151M -LRH	151	150	100	0.400	1.00	1.00
CSN084F-221M -LRH	221	220	100	0.610	0.80	0.80
CSN084F-331M -LRH	331	330	100	1.020	0.60	0.60
CSN084F-471M -LRH	471	470	100	1.270	0.50	0.50
CSN084F-681M -LRH	681	680	100	2.020	0.40	0.40
CSN084F-102M -LRH	102	1000	100	3.000	0.30	0.30

a. Tolerance : M= ± 20% ; L=15% ; K= ± 10%

b. Operating Temperature Range: -30°C to +100°C (Including self-generated heat)

c. Inductance measured using the HP4284A ; Chroma3302+1320.

d. DCR measured using the 502BC milli-(Ohm) meter.

e. Inductance drop no more than 10% of initial value at Isat , temperature rises $\Delta t < 40^{\circ}\text{C}$ at rated current.

f. Storage Temperature Range: -40°C to +85°C .

Characteristic Curve

