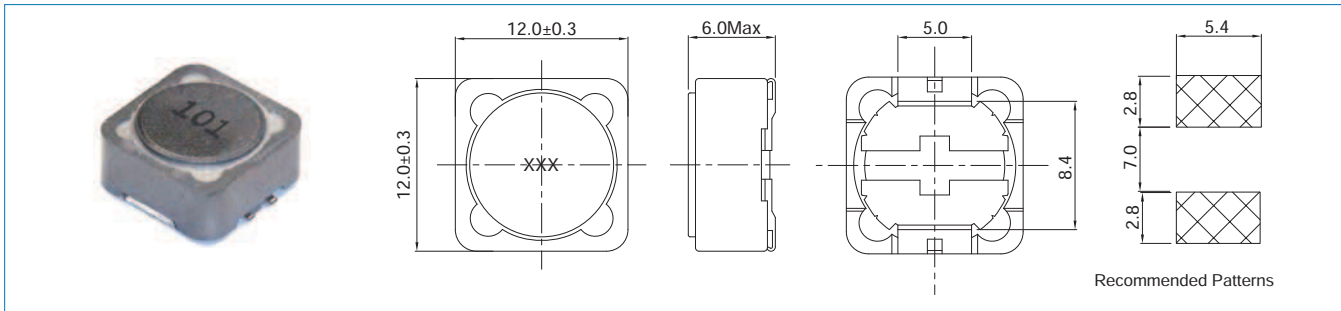


Mechanical Dimensions (Unit: mm)



Electrical Specification

Part No.	Marking	Inductance (uH)	Test Freq. (KHz)	DCR (Ohm) Max	Rated Current (A)
CSS125P-1R3N-LRH	1R3	1.3+30%, -20%	100	0.012	8.00
CSS125P-2R1N-LRH	2R1	2.1+30%, -20%	100	0.014	7.00
CSS125P-3R1N-LRH	3R1	3.1+30%, -20%	100	0.017	6.00
CSS125P-4R4N-LRH	4R4	4.4+30%, -20%	100	0.020	5.00
CSS125P-5R8N-LRH	5R8	5.8+30%, -20%	100	0.021	4.40
CSS125P-7R5N-LRH	7R5	7.5+30%, -20%	100	0.024	4.20
CSS125P-100M-LRH	100	10 ± 20%	1	0.025	4.00
CSS125P-120M-LRH	120	12 ± 20%	1	0.027	3.50
CSS125P-150M-LRH	150	15 ± 20%	1	0.030	3.30
CSS125P-180M-LRH	180	18 ± 20%	1	0.034	3.00
CSS125P-220M-LRH	220	22 ± 20%	1	0.036	2.80
CSS125P-270M-LRH	270	27 ± 20%	1	0.051	2.30
CSS125P-330M-LRH	330	33 ± 20%	1	0.057	2.10
CSS125P-390M-LRH	390	39 ± 20%	1	0.068	2.00
CSS125P-470M-LRH	470	47 ± 20%	1	0.075	1.80
CSS125P-560M-LRH	560	56 ± 20%	1	0.110	1.70
CSS125P-680M-LRH	680	68 ± 20%	1	0.120	1.50
CSS125P-820M-LRH	820	82 ± 20%	1	0.140	1.40
CSS125P-101M-LRH	101	100 ± 20%	1	0.160	1.30
CSS125P-121M-LRH	121	120 ± 20%	1	0.170	1.10
CSS125P-151M-LRH	151	150 ± 20%	1	0.230	1.00
CSS125P-181M-LRH	181	180 ± 20%	1	0.290	0.90
CSS125P-221M-LRH	221	220 ± 20%	1	0.400	0.80
CSS125P-271M-LRH	271	270 ± 20%	1	0.460	0.75
CSS125P-331M-LRH	331	330 ± 20%	1	0.510	0.68
CSS125P-391M-LRH	391	390 ± 20%	1	0.690	0.65
CSS125P-471M-LRH	471	470 ± 20%	1	0.770	0.58
CSS125P-561M-LRH	561	560 ± 20%	1	0.860	0.54
CSS125P-681M-LRH	681	680 ± 20%	1	1.200	0.48
CSS125P-821M-LRH	821	820 ± 20%	1	1.340	0.43
CSS125P-102M-LRH	102	1000 ± 20%	1	1.530	0.40

a. Tolerance : N= ± 30% ; M=20% ; L= ± 15% ;

b. Operating Temperature Range: -30°C to +100°C (Including self-generated heat)

c. Inductance measured using the HP4284A ; Chroma3302+1320.

d. DCR measured using the 502BC milli-(Ohm) meter.

e. Inductance drop no more than 25% of initial value at rated current , temperature rises $\Delta t < 40^{\circ}\text{C}$.

f. Storage Temperature Range: -40°C to +85°C .

Characteristic Curve

